



FIMI X8 SE 2020 Quick Start Guide

Contents

Services & Support.....	1
Product Instruction	1
Package List.....	2
Product Introduction	3
Gimbal and Camera	5
Remote controller	7
Prepare to Fly.....	11

Services & Support

FIMI provides X8 SE 2020 users with tutorial videos and the following information:

1. *FIMI X8 SE 2020 User Manual*
2. *FIMI X8 SE 2020 Quick Start Manual*
3. *FIMI X8 SE 2020 Disclaimer and Safety Operation Instructions*

Users are advised to watch tutorial videos before using the product and read *FIMI X8 SE 2020 Disclaimer and Safety Operation Instructions* carefully and get to know the process of using by going through *FIMI X8 SE Quick Start Manual*.

For more detailed product information, please refer to *FIMI X8 SE 2020 User Manual*.

Please download the firmware and watch the tutorial videos on the link <https://www.fimi.com/fimi-x8-se.html>

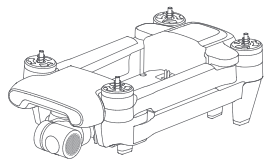
4. Please scan the the following QR-code to download Fimi Navi 2020 App



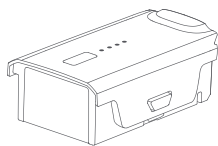
Product Instruction

The FIMI X8 SE 2020 is an aerodynamic foldable drone equipped with intelligent control, wireless communication and other advanced technology which are necessary to realize functions like long-distance remote control, intelligent flight, precise landing, etc. The built-in 3-axis gimbal stabilizes the camera which is able to shoot 4K video at 30 fps and which performs HD real-time image transmission. The APP enriches the remote controller with more features and fast connection. The remote controller fits iPad Mini at the maximum range. The sticks are detachable.

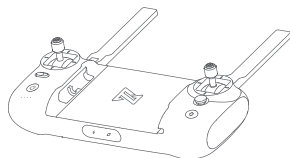
Package List



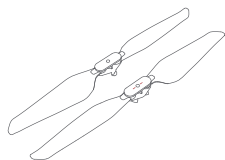
Drone x 1



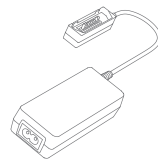
Battery x 1



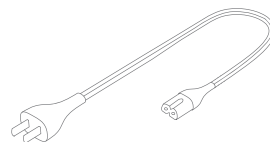
Remote controller x 1



Positive propeller x 3
Reverse propeller x 3



Charger x 1



AC cable x 1



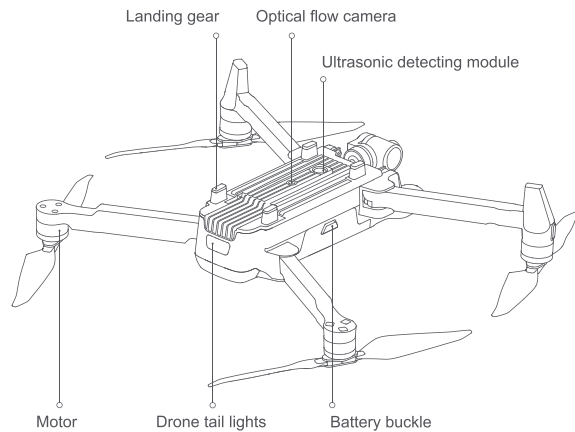
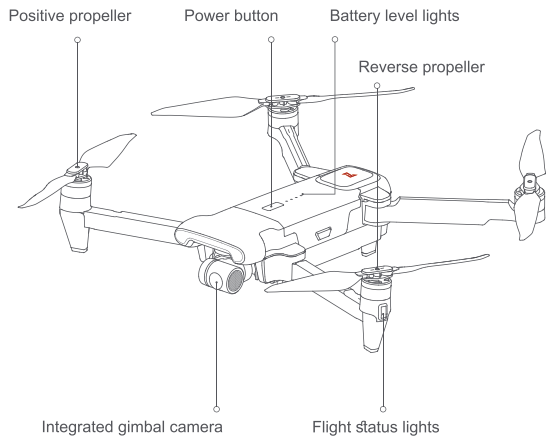
Instruction x 2



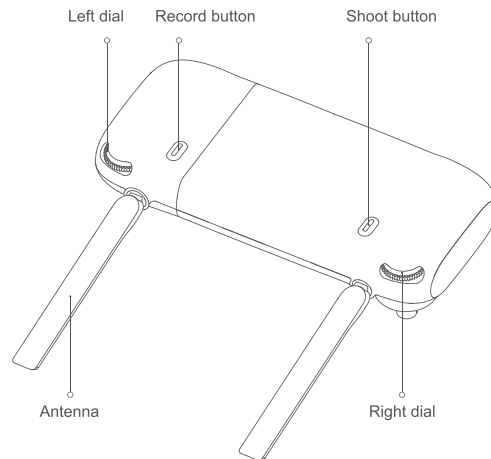
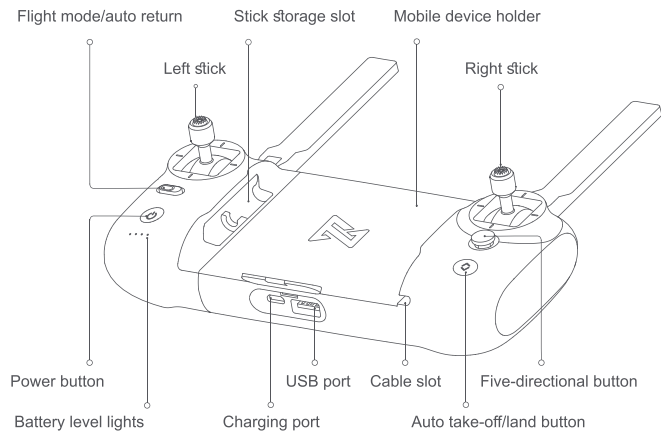
USB cable x 3

Product Introduction

1 Drone



2 Remote controller



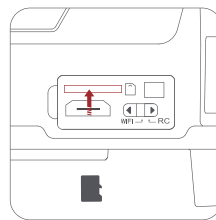
Gimbal and Camera

Camera

The camera, equipped with 1/2.6 inch CMOS and wide-angle lens with 26mm equivalent focal distance, supports 4K 30FPS HD videos and 12megapixel photos to shoot a blockbuster easier. It also owns various shooting modes, including single, burst, time lapse, panorama shot and slow motion, for different scenario.

Drone Micro SD card

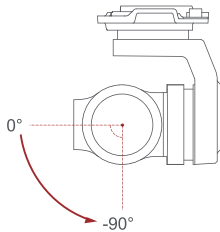
- When installing SD card to the drone, please unfold the arms of the drone first and open the interface protection cover
- Insert the SD card with the literal upward into the SD card slot
- When removing SD card, press the SD card to pop out



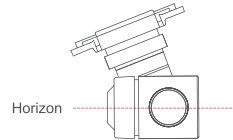
Note:Support Micro SD (U3 and above) 8 ~ 256GB, recommend to use
Sandisk Extreme Pro V30 32G Sandisk Extreme Pro V30 64G
Sandisk Extreme V30 32G Sandisk Extreme V30 64G
Samsung Pro Endurance 32G Toshiba Exceria Pro 64G
Lexar Professional 1000X 32G

Gimbal

FIMI X8 SE 2020 combines a light weight 3-axis mechanical gimbal with the latest professional control algorithms and $\pm 0.005^\circ$ control accuracy, which provides a stable shooting platform for camera. The pitch axis, default to tilt from 0° to -90° , can be adjusted by left dial of remote controller or App.

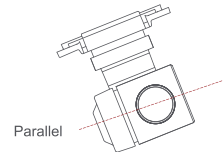


Operating Mode



Follow Mode:

The roll axis does not move with the drone and always keep the gimbal horizontally, which suits for shooting stable videos



FPV Mode:

The roll axis rotates with the drone to provide a first person view

Remote controller

With ergonomic design, it is easier and more precise to control. There is no complicated operation to connect App, just plug in and it works. The remote controller fully charged can work about 4.5 hours.

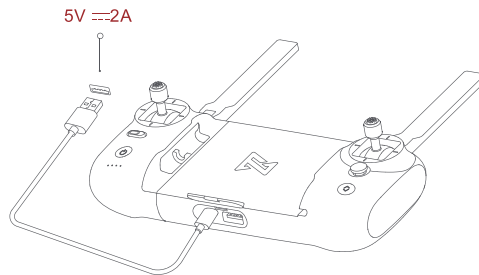
Turning on and off

- Short press + long press power button 2 seconds to power on/off
- Short press to check battery level



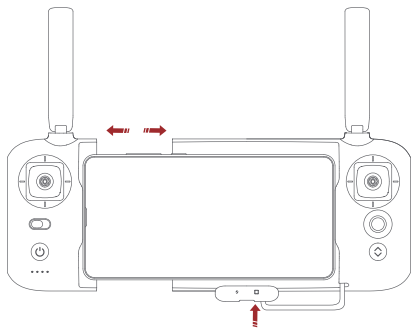
Charge

- Connect the remote controller to a power adapter as show below
- When the RC is in charge, the battery level lights are flashing
- when the RC is fully charged, the battery level lights go out
- It takes about 4 hours to fully charge the RC in the powered off condition



Assemble Device

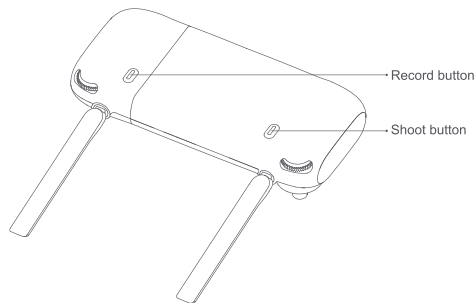
- Tighten the mobile or pad on mobile device holder by extending the holder to the left.
- Open the interface protection cover on the RC bottom.
- Connect your phone and the RC with a USB cable.
- Connect the drone and update firmware according to instructions in Fimi Navi 2020 app.



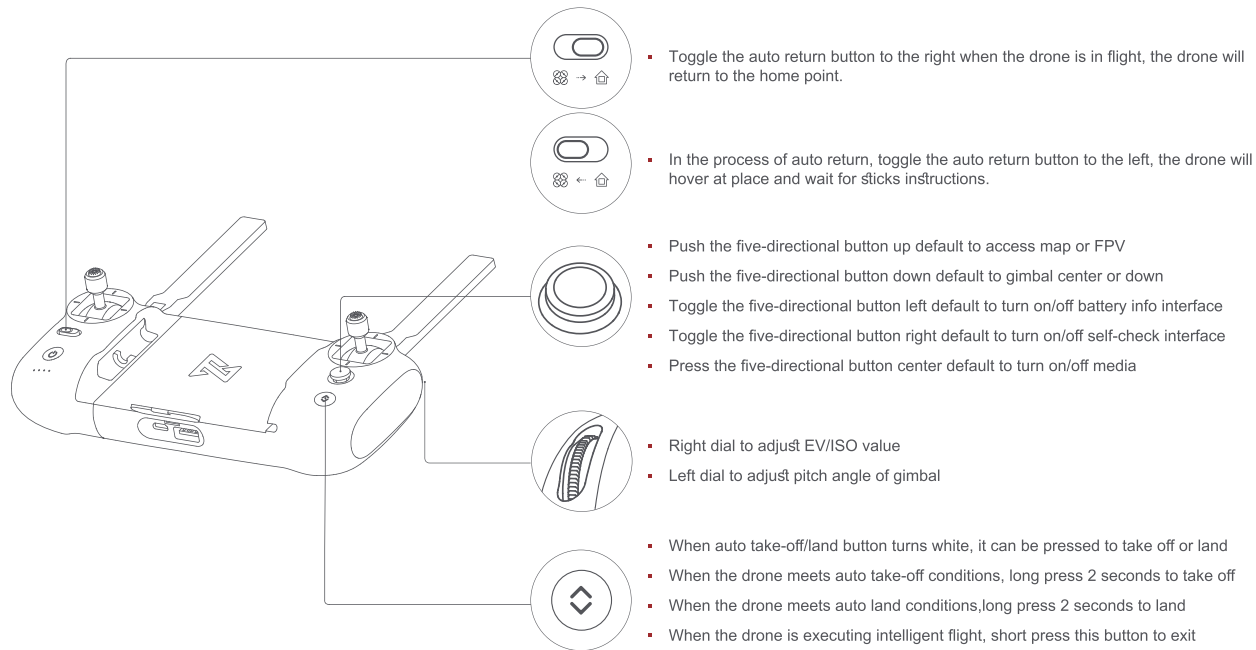
Note: The cable slot is reserved on the right side of the RC.

Shooting and Recording

- Press the shoot button to take a photo. A photo is taken when you hear 2 short sounds.
- Press the record button to record video. Recording starts when you hear 2 short sounds. Press again to stop recording with 4 short sounds.
- The pitch angle of the gimbal can be controlled by toggling the left dial up and down.
- The right dial can adjust EV/ISO.

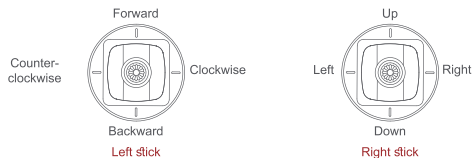


Shortcut Buttons

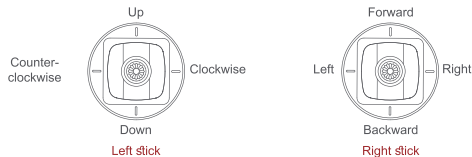


Sticks Control

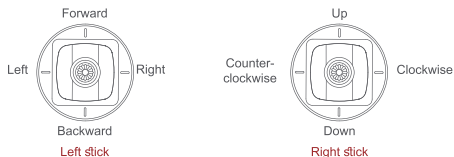
Mode 1



Mode 2



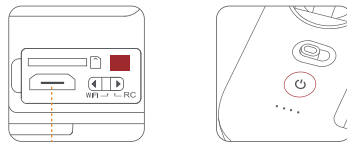
Mode 3



Remote Controller Pairing

When a new remote controller or drone is replaced, please pair the remote controller and the drone again as shown below:

- Turn on the drone
- Turn on the RC, long press the power button 15 seconds until hearing constant beep sound, and the power button red light flashes
- Short press the code pairing button on the drone, the yellow light on the drone goes out
- The code pairing succeeds when the power button on the RC turns white and the yellow light on the drone keeps on



Note: This 5 pin port is only for updating firmware, but X8 SE Drone is auto equipped with auto update function. So there is no need to use this 5 pin port.

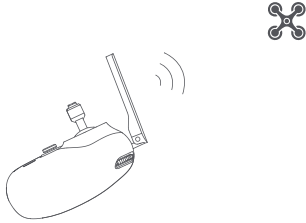
Remote lights

	Remote lights	Remote status
1	Power button's red light is on	Weak signal
2	Power button's red light flashes	Not connected to the drone
3	Power button's red light flashes	RC Pairing or upgrading firmware
4	Power button's white light is on	Normal signal
5	Power button's white light flashes	Recording videos
6	Auto take-off/landing button's red light is on	Auto take-off or landing not enabled
7	Auto take-off/landing button's white light on	Ready for auto take-off

Prepare to Fly

Check Before Taking off

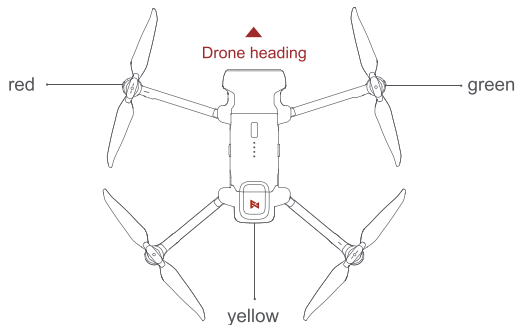
- Make sure that the battery of the aircraft and remote controller is sufficient.
- Make sure that the propeller is properly installed and free from damage and aging.
- Make sure that the camera lens is clean.
- Make sure that the SD card is inserted.
- Keep antennas crossed as shown in the figure.



Note: To maintain stable signals, always keep antennas' longitudinal plane to the aircraft.

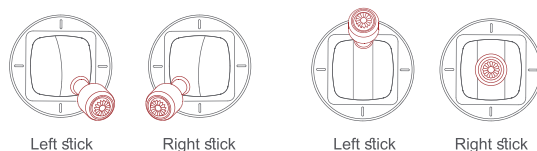
Confirm the drone heading

- The direction of integrated gimbal camera is the drone heading.
- Once the drone is turned on, the heading can be told by navigation lights.
- The red light and the green light indicate the heading, and the yellow light is the tail.



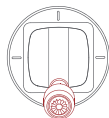
Safety tips: Always keep the tail pointed at the user to avoid direction misjudging.

Manual take off

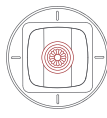


- Keep both sticks to the bottom inner still over 3 seconds, the propellers start spinning
- Release both sticks once propellers have been spinning, and firmly push the left stick upward to take off the drone
- During flight, release both sticks to hover
- At any time during controlled flight, release the sticks and the drone will hover automatically

Manual take landing



Left stick



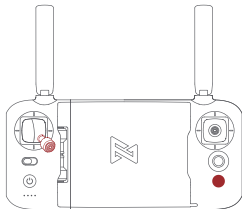
Right stick

- Slowly move the left stick downward to land the drone
- Once the drone has landed, push and hold the left stick down over 5 seconds, the motors will stop

Safety tips: The drone has no waterproof function. Please be careful of landing environment. Do not land on an inclined plane for safety.

Stop propellers in an emergency

When motors can't properly turn off, please toggle the left stick to the bottom inner in maximum range, and press Auto take-off/landing button for 5 seconds simultaneously, the motors will stop.



Safety tips: Do not do the above operation during normal flight to avoid motors being stopped in the air.

Flying Condition Requirement

1. The drone is suitable for people above 18 years who have full civil capacity.
2. Make sure to keep some distance from people, animals, trees, vehicles and buildings while using the drone. Please be careful when someone approaches.
3. Keep away from airports, railways, highways, high-rise buildings, utility poles and other dangerous environments when operating the drone.
4. Keep away from the areas with complex electromagnetic signals such as communication base stations and high-power antennas when operating the drone.
5. The flight altitude and distance of the drone corresponding to the takeoff point will be limited based on relevant regulations and policies.
6. Do not use this product at the place and time prohibited by regulations and policies.
7. To protect the legitimate rights and interests of users, please follow the product safety instructions when using.
8. Do not operate the drone in bad weather such as strong winds, rain, snow, or fog.
9. Please operate the drone in a broad place with a good GPS signal.
10. It is suggested that user should make the first flight under the guidance of an experienced pro.