



# Firmware Update Guide

V1.4

**INSPIRE 1** Series

**PHANTOM 3** Series

# Firmware Update Guide

V1.4

PHANTOM 3 STANDARD

## Using the DJI GO App to Update All Firmware

Always use the latest version of the DJI GO app to update your firmware.



### Notes:

- Ensure your Micro SD card is inserted into the gimbal and has at least 100 MB of free space. Do not remove the Micro SD card from the gimbal during the firmware update.
- The firmware update process takes around 30 minutes. We recommend finding a comfortable environment to carry out the update.
- Check, in the DJI GO app, that you have the latest firmware installed before every flight.
- The firmware update requires an internet connection. Connect your mobile device to a Wi-Fi network whenever possible.
- Wait for the progress bar to reach 100% to ensure the firmware update is complete.
- The camera status indicator will blink red and green to show that the update is in progress.



The camera status indicator will become solid green and the aircraft will sound 'D—DD' when the update is complete.



**Update Successful**  
Power off the aircraft.



The camera status indicator will become solid red and the aircraft will sound 'D—' if the update has failed.



**Updated Failed**  
Restart the aircraft and try again.



### Updating Multiple Intelligent Flight Batteries

Insert the remaining batteries into the aircraft and power them on to update their firmware.



- If you failed to update the firmware after multiple attempts, contact your local dealer or DJI Support: <http://www.dji.com/support>

# Firmware Update Guide

V1.4

INSPIRE 1 PRO

INSPIRE 1

PHANTOM 3 PROFESSIONAL

PHANTOM 3 ADVANCED

## Overview

---

2



### Using the DJI GO app to update the remote controller \*

Page 3

\* If your **INSPIRE 1** remote controller firmware is below v1.3.00 or **PHANTOM 3** Advanced or Professional remote controller firmware is below v1.3.20, use a Micro SD card to update the firmware instead.

- To check your current firmware version, launch the DJI GO app and tap through Camera View > System Status Bar > Overall Status.



### Using a Micro SD card to update the aircraft and Intelligent Flight Battery

Pages 4-6



### Using a Micro SD card to update older remote controller firmware below v1.3.00 (Inspire 1) or below v1.3.20 (Phantom)

Pages 8-9

# Firmware Update Guide

V1.4

INSPIRE 1 PRO

INSPIRE 1

PHANTOM 3 PROFESSIONAL

PHANTOM 3 ADVANCED

## Using the DJI GO app to update the remote controller

3

Always use the latest version of the DJI GO app to update your firmware.



### Notes:

- Only the INSPIRE 1 remote controller firmware v1.3.00 or PHANTOM 3 Professional or Advanced remote controller firmware v1.3.20 or later support updating through the DJI GO app. If necessary, update your remote controller using a Micro SD card. To check your current firmware version, launch the DJI GO app and tap through Camera View > System Status Bar > Overall Status.
- The firmware update process takes around 10 minutes. We recommend finding a comfortable environment to carry out the update.
- Check, in the DJI GO app, that you have the latest firmware installed before every flight.
- The firmware update requires an internet connection. Connect your mobile device to a Wi-Fi network whenever possible.
- Wait for the progress bar to reach 100% to ensure the firmware update is complete.
- The remote controller status indicator glows solid blue during the update.



The remote controller status indicator becomes solid green when the update is complete.



**Update Successful**  
Power off the remote controller.



The remote controller status indicator becomes solid red if the update has failed.



**Updated Failed**  
Restart the remote controller and try again.



- If you failed to update the firmware after multiple attempts, contact your local dealer or DJI Support: <http://www.dji.com/support>

# Firmware Update Guide

V1.4

INSPIRE 1 PRO

INSPIRE 1

PHANTOM 3 PROFESSIONAL

PHANTOM 3 ADVANCED

## Using a Micro SD card to update the aircraft and Intelligent Flight Battery

4

Ensure your Micro SD card has at least 100 MB of free space.



### Notes:

- If your **INSPIRE 1** remote controller firmware is v1.3.00 or above, or **PHANTOM 3** Professional or Advanced remote controller firmware is v1.3.20 or above, you must use the DJI GO app to update the firmware.

To check your current firmware version, launch the DJI GO app and tap through Camera View > System Status Bar > Overall Status.

- The firmware update process takes around 30 minutes. We recommend finding a comfortable environment to carry out the update.
- Check, in the DJI GO app, that you have the latest firmware installed before every flight.

# Firmware Update Guide

V1.4

INSPIRE 1 PRO

INSPIRE 1

PHANTOM 3 PROFESSIONAL

PHANTOM 3 ADVANCED

## Using a Micro SD card to update the aircraft and Intelligent Flight Battery

5

Ensure your Micro SD card has at least 100 MB of free space.

### 1 Prepare the Firmware Update Files

Only download the update package from the official DJI website.

INSPIRE 1 [www.dji.com/product/inspire-1/download](http://www.dji.com/product/inspire-1/download)

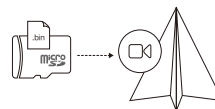
PHANTOM 3 [www.dji.com/product/phantom-3/download](http://www.dji.com/product/phantom-3/download)



Download the firmware update package.



Unzip and copy the downloaded files into the root directory of your Micro SD card.



Insert your Micro SD card into the SD card slot on the aircraft.

# Firmware Update Guide

V1.4

INSPIRE 1 PRO

INSPIRE 1

PHANTOM 3 PROFESSIONAL

PHANTOM 3 ADVANCED

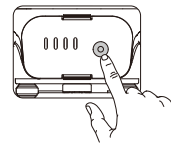
## Using a Micro SD card to update the aircraft and Intelligent Flight Battery

6

Ensure your Micro SD card has at least 100 MB of free space.

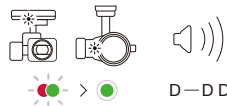
### 2 Update the Aircraft and Intelligent Flight Battery

Ensure the Intelligent Flight Battery has at least 50% power.

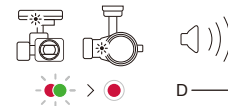


Power on the aircraft to begin the firmware update. Do not power on the remote controller.

The camera status indicator will blink red and green to show that the update is in progress.



The camera status indicator will become solid green and the aircraft will sound 'D-DD' when the update is complete.



The camera status indicator will become solid red and the aircraft will sound 'D-' if the update has failed.



#### Updating Multiple Intelligent Flight Batteries

Insert the remaining batteries into the aircraft and power them on to update their firmware.



• The Zenmuse X3 on the INSPIRE 1 does not have a camera status indicator. Use the beeping sounds to determine the update status.

• If you failed to update the firmware after multiple attempts, contact your local dealer or DJI Support: <http://www.dji.com/support>



**Update Successful**  
Power off the aircraft.



**Update Failed**  
Restart the aircraft and try again.

# Firmware Update Guide

V1.4

INSPIRE 1 PRO

INSPIRE 1

PHANTOM 3 PROFESSIONAL

PHANTOM 3 ADVANCED

## Using a Micro SD card to update older remote controller firmware

7

INSPIRE 1 remote controller firmware below v1.3.00  
PHANTOM 3 remote controller firmware below v1.3.20

Ensure your Micro SD card has at least 100 MB of free space.



### Notes:

- This method does not apply to the Phantom 3 4K or Standard remote controller.
- If your INSPIRE 1 remote controller firmware is v1.3.00 or above, or PHANTOM 3 Professional or Advanced remote controller firmware is v1.3.20 or above, you must use the DJI GO app to update the firmware.  
  
To check your current firmware version, launch the DJI GO app and tap through Camera View > System Status Bar > Overall Status.
- The firmware update process takes around 10 minutes. We recommend finding a comfortable environment to carry out the update.



# Firmware Update Guide

V1.4

INSPIRE 1 PRO

INSPIRE 1

PHANTOM 3 PROFESSIONAL

PHANTOM 3 ADVANCED

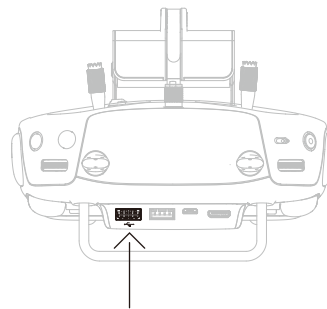
## Using a Micro SD card to update older remote controller firmware

8

INSPIRE 1 remote controller firmware below v1.3.00  
PHANTOM 3 remote controller firmware below v1.3.20

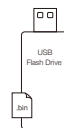
Ensure your Micro SD card has at least 100 MB of free space.

### 1 Prepare the Remote Controller Firmware Update Files



Insert your card reader, containing your Micro SD card, into the rear USB port.

or



Insert your USB flash drive, containing the firmware update files, into the rear USB port.

or



If neither a card reader or USB flash drive is available:

Insert the Micro SD card into the SD card slot on the aircraft and connect the Micro USB port on the camera to the USB port on the remote controller.

# Firmware Update Guide

V1.4

INSPIRE 1 PRO

INSPIRE 1

PHANTOM 3 PROFESSIONAL

PHANTOM 3 ADVANCED

## Using a Micro SD card to update older remote controller firmware

9

INSPIRE 1 remote controller firmware below v1.3.00  
PHANTOM 3 remote controller firmware below v1.3.20

Ensure your Micro SD card has at least 100 MB of free space.

### 2 Update the Remote Controller

Ensure the remote controller has at least 50% power.



Power on the remote controller and wait about a minute for the update to start.



The remote controller status indicator glows solid blue during the update. The firmware update process takes around 10 minutes.



The remote controller status indicator becomes solid green when the update is complete.



**Update Successful**  
Power off the remote controller.



The remote controller status indicator becomes solid red if the update has failed.



**Updated Failed**  
Restart the remote controller and try again.

 If you failed to update the firmware after multiple attempts, contact your local dealer or DJI Support: <http://www.dji.com/support>

# Firmware Update Guide

V1.4

## FAQ

---

10

**Q: Can I use the DJI GO app to update the aircraft and Intelligent Flight Battery firmware for my Phantom 3 Professional or Advanced?**

A: No, this feature is not supported yet.

**Q: Why can't I use the DJI GO app to update the remote controller firmware?**

A: If your remote controller firmware is below v1.3.00 (Inspire 1) or below v1.3.20 (Phantom), you can only use a Micro SD card or USB flash drive to update the firmware. You will be able to use the DJI GO app for your next update.

**Q: Why can't I connect the remote controller to the aircraft?**

A: The remote controller may become unlinked from the aircraft after the firmware update. Refer to the user manual on how to re-link the remote controller to the aircraft.

**Q: Can I receive incoming calls or hide the DJI GO app in the background during the firmware update?**

A: Avoid leaving the app while an update is in progress, or else it may be disrupted.

**Q: How long does it take to update the Intelligent Flight Battery?**

A: It takes up to 5 minutes per battery.

**Q: How do I know when the firmware update is complete?**

A: The camera status indicator will become solid green and the aircraft will make a 'D-DD' sound when the update is complete. Also, the text 'result: success' will appear in the '.txt' file that is automatically generated in the root directory of your Micro SD card.

This content is subject to change.

If you have any questions about this document, please contact DJI by sending a message to [DocSupport@dji.com](mailto:DocSupport@dji.com).

© 2015 DJI. All Rights Reserved.