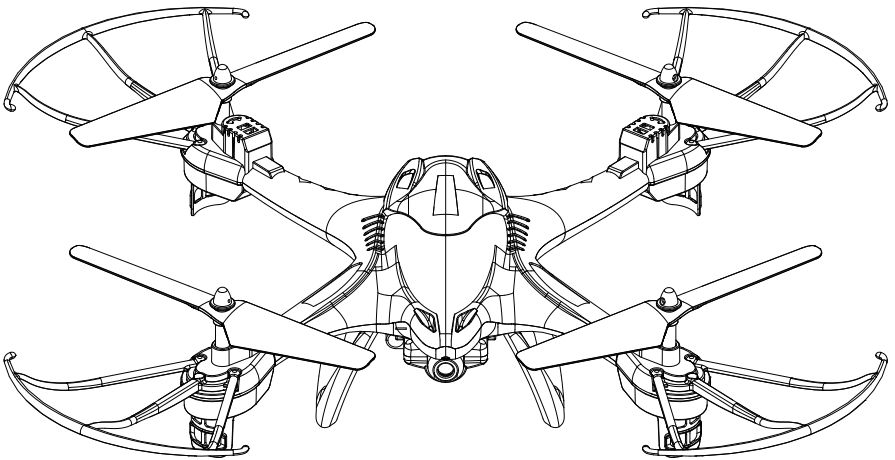




14+
age

INSTRUCTIONS FOR USE

2.4GHz FPV real-time video and image transmitter drone



HS110/200



usa@holystone.com (America)

ca@holystone.com (Canada)

eu@holystone.com (Europe)

jp@holystone.com (Japan)



+1(855) 888-6699

www.holystone.com

CONTENTS

1. Preface	1
2. Warnings	1
3. Maintenance	2
4. Transmitter Functions	3
5. Transmitter Batteries Installation	3
6. Drone's Details	4
7. Charging The Lithium Battery Of Drone	6
8. Specification	7
9. Flight	9
10. Emergency Stop	12
11. Headless Mode	13
12. Wi-Fi Camera Function	16
13. First Person View Function	17
13. Spare Parts	18
14. Trouble Shooting	18
15. Contact Us	18
18. General Information	19

To make your experience with this drone as straightforward and convenient as possible, please read this instructions before operating and keep it for the future reference and maintenance.

Important Statement:

1. This product is not a toy, but it is a high precision drone that integrates various electronic stability and control mechanisms. This drone requires careful and correct assembly and setup to ensure safe, accident-free operation. This equipment should be operated in a safe and controlled manner at all times. Incorrect or hazardous operation may cause damage to the device or property, or cause serious injury to those in the vicinity.
2. This product is suitable for experienced drone pilots over 14 years of age.
3. In case of having difficulties on any aspect of the product, operation or maintenance, please contact your local sales agent or contact customer support here at Holy Stone.

Safety Guidelines

This product is flying camera that offers easy, controllable flight when in good working order, however, there is also a significant risk to property and people if flown irresponsibly or within confined spaces. Incorrect assembly or poor control by inexperienced pilots can result in damage to property or harm to people in an accident. Be fully aware of your surroundings when flying and always maintain complete control of the vehicle at all times.

1. Keep in Distance:

- a. Always fly in locations that are clear of any obstructions, such as buildings, poles, electrical wires, trees and so on.
- b. Never fly above or near people and spectators.

2. Do not fly in adverse weather conditions:

- a. Keep clear of moisture, fog, ice and excessive wind.
- b. Fly in good weather conditions only.

3. Use and maintain the product according to the instructions for use:

- a. Operate this device legally in accordance with instructions provided and with local laws and regulations.
- b. Always use original parts manufactured by Holy Stone for maintenance and repair.

4. Do not operate the device alone.

- a. If you are a new pilot, seek assistance from an experienced drone pilot when learning.
- b. Have others around to help you fly at all times.

5. Safety First every time:

- a. Always operate the drone within your ability as a pilot. If you are ill, disoriented, or unsure of how to effectively fly the drone, please seek help to avoid danger, damage or injury.

6. Keep clear of rotation parts:

- a. During operation the rotors revolve extremely quickly, please avoid touching the blades and ensure that foreign objects are kept clear of all moving parts.

7. Avoid exposure to excessive heat:

- a. Due to the numerous material types used in construction, this drone is not suitable for exposure to heat. Please keep your device away from heat sources and avoid prolonged exposure to direct sunlight. High temperatures is capable of distorting the structure of drone and lead to unpredictable consequences.

< WARNINGS >

1. The information and guidance within this package and instructions for use are important for the safe operation and maintenance of your drone. Please keep it well for future reference.
2. You accept sole responsibility for any injury, loss or damage that result from your operation of the device.
3. Always follow the instructions when assembling or operating the drone. Always keep at least 2 meters between the user or viewers and the model to avoid risk of injury. Pay attention to the device at all times while flying.

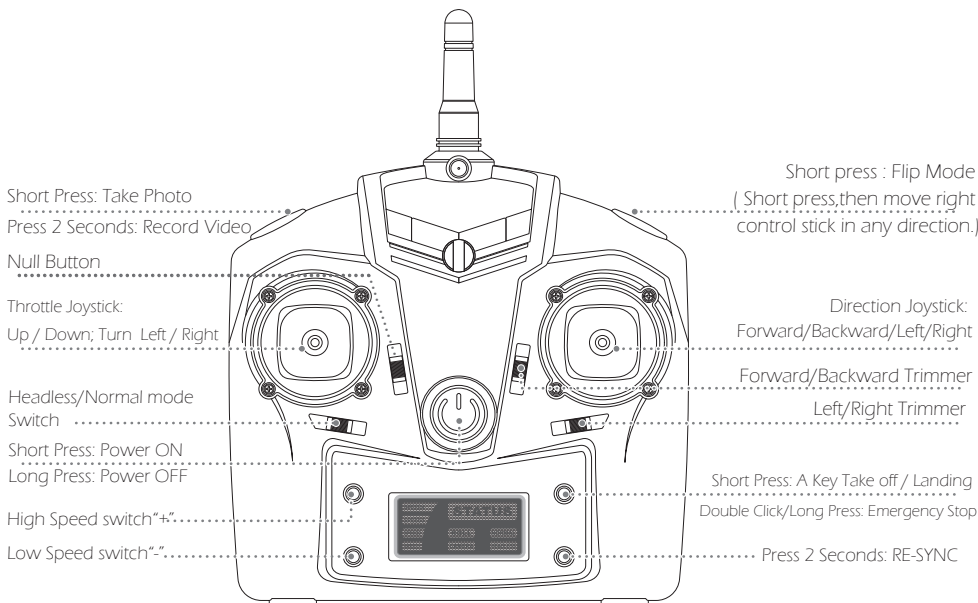
4. Neither Holy Stone nor any distributors or agents accepts any responsibility for loss, injury or damage caused by incorrect operation of the drone.
5. This drone is not suitable for children under the age of 14. Younger pilots should always operate the drone under the supervision of an adult.
6. Please ensure assembly instructions are followed correctly to ensure proper operation and performance of your drone.
7. This product contains small parts. To avoid any choking hazard, please keep this drone and all its components out of the reach of children.
8. You must not, under any circumstance, fly this drone over open water or near any public road to avoid risk of accident.
9. Keep all packaging materials away from children and dispose them in a safe manner.
10. The internals of the drone are not user serviceable, please do not attempt to disassemble this drone or replace any part of the drone, to avoid malfunctions during flight.
11. Please ensure batteries are fitted in the correct orientation as shown in these instructions.
12. You can access the transmitter battery compartment by unscrewing the screws on the battery cover. Insert batteries ensuring they are in the right orientation. Always put battery cover back and tighten the screw to secure before use.
13. Only use the charger provided with your drone for safety.
14. The charger is not a toy.
15. Always pay close attention to battery polarity when inserting any batteries to make sure they are fitted correctly.
16. Use either rechargeable or nonrechargeable "AA" batteries in the transmitter. Do not mix battery types.
17. Use only recommended batteries in the transmitter, please remember that non-rechargeable batteries must not be charged.
18. For rechargeable batteries, always follow manual instructions for use and have adult supervision. Do not leave charging batteries unsupervised and as batteries get hot when charging, avoid any combustible material.
19. Avoid short circuits by fitting the batteries incorrectly, and do not crush or squash batteries as this carries a risk of explosion.
20. Do not mix new and old batteries as this can lead to unpredictable performance.
21. Dispose used batteries carefully, do not litter.
22. The power socket must not be removed from this drone. Do not attempt to short circuit the connection socket.
23. When disposing batteries, do not throw on fires, leave to decompose. Keep clear of heat sources and high temperatures at all time.
24. If the device is not going to be used for an extended period, remove batteries to prevent potential damage from battery leakage.
25. Care should be taken to keep your drone away from sources of magnetic interference of other electrical equipment to prevent signal issues during operation.
26. Keep clear of rotating parts and beware of loose clothing that could become entangled in the rotors causing injury.
27. Beware of the noise volume the drone produces. Keep your distance to avoid ear damage.
28. The charger socket uses a mini USB 5V connection.
29. Always use the product in compliance with local aviation radio rules and comply with local authorities who require you to refrain from operating at any time.

<MAINTENANCE>

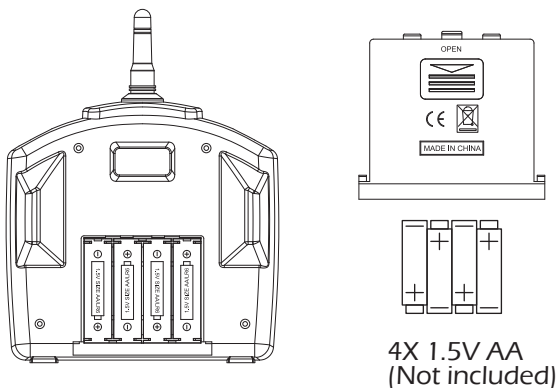
1. Clean the product after each use with a clean, soft cloth.
2. Avoid prolonged exposure to direct sunlight and avoid buildup of heat on the drone.
3. This device is not waterproof and must not be submerged in water under any circumstance. Failure to maintain the device completely dry will result in the failure of the unit.
4. Check the charging plug and other accessories for signs of damage frequently. If any part of the device is damaged, refrain from flying until maintenance can be carried out.

< TRANSMITTER FUNCTIONS >

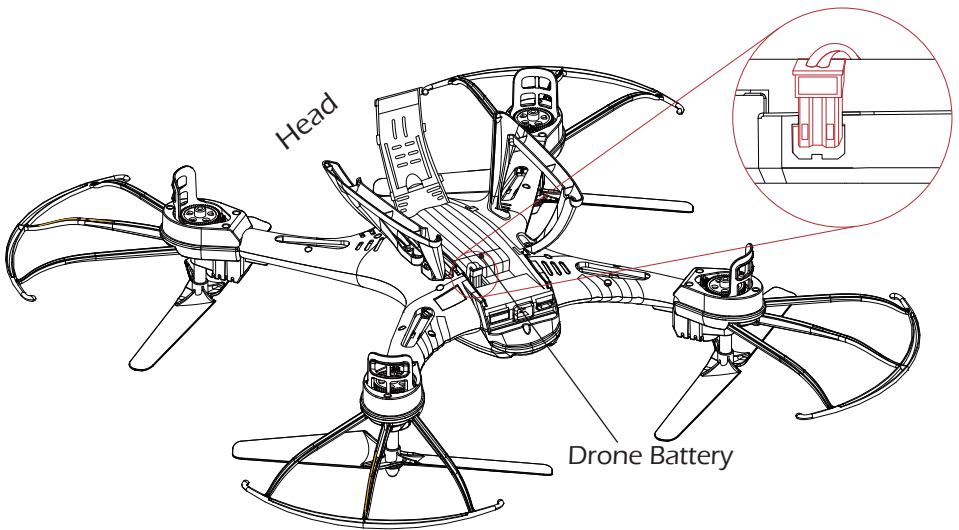
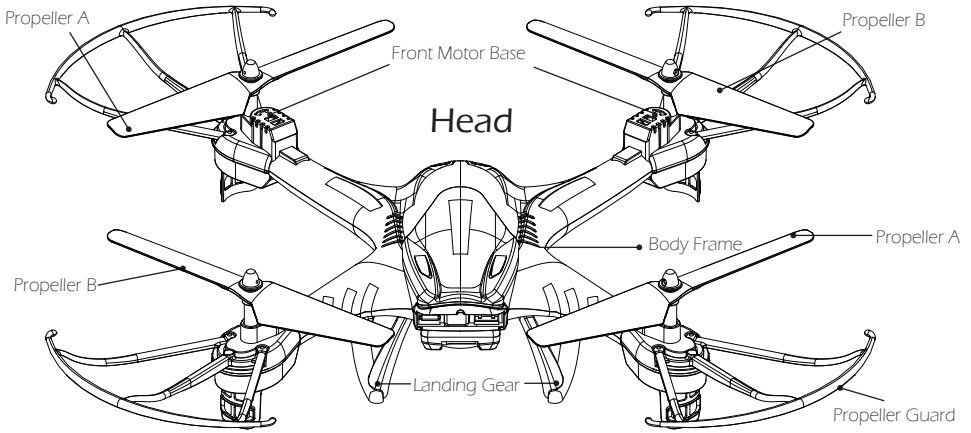
The transmitter is able to reach its maximum transmission distance at about 400 feet (120 meters) when used in a wide open area with no radio or electronic interference.



< TRANSMITTER BATTERIES INSTALLATION >

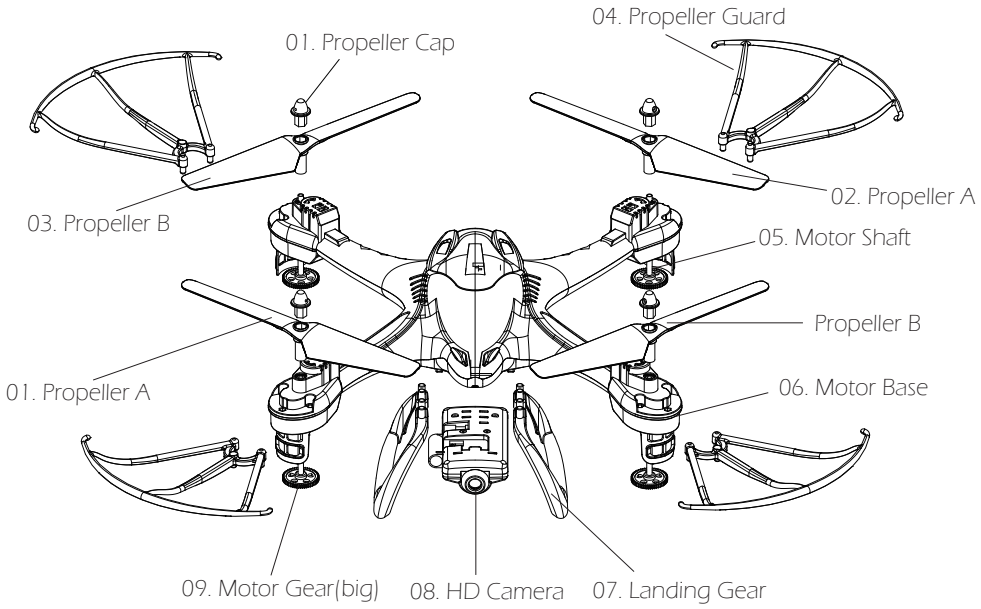


< DRONE'S DETAILS >



! Please note that all propellers must be installed in the correct orientation. (Pay attention to the letter "A" or "B" printed on each propeller when installing.)

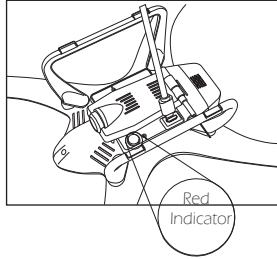
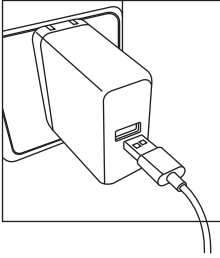
< DRONE'S DETAILS >



SN	Name	Qty.	SN	Name	Qty.
01	Propeller Cap	4	06	Motor Base	4
02	Propeller A	2	07	Landing Gear	2
03	Propeller B	2	08	HD Camera	1
04	Propeller Guard	4	09	Motor Gear(big)	4
05	Motor Shaft	4			

< CHARGING THE LITHIUM BATTERY OF DRONE >

1. Balanced charging: Make sure the battery is connected to the drone, insert the USB charging cable into USB adapter(5V/0.5-1.0A recommended), then, connect the USB charging cable to the charging port on the drone. The indicator light on the power switch will turn red when charging and turn off when the battery is fully charged.
2. Charging time: about 60-90 Minutes



CAUTIONS

- 1) Don't use or charge the battery if it shows signs of swelling, punctures, or is damaged in any way.
- 2) Don't charge the battery directly after use, allow it to cool down in an open and dry area to insure overheating does not occur.
- 3) During charging, please stay the battery away from furniture, carpet or anything flammable.
- 4) Don't charge the battery overload(below 5V/2A). Make sure to remove the battery from the charger after charging is complete, never overcharge the battery.
- 5) Be cautious while removing a battery from the charger, it's possible to strip the cords that could lead to a fire(and ruin the battery)



Li-Po Battery Disposal & Recycling

Wasted Lithium-Polymer batteries must not be placed with household trash. Please contact local environmental or waste agency or the supplier of your model or your nearest Li-Po battery recycling center.



Drone

Model: HS110/HS200

Weight: 146g / 5.13oz

Max Flight Time: 9 minutes

WIFI Distance: 30 m (Outdoor And Unobstructed)

Motor Model: 8616

Hovering: Enabled

Operating Temperature Range: 32° to 104°F (0° to 40°C)

Dimensions: 320 x 320 x 66 mm

CAMERA

Still Photography Modes : Single Shot

Video Recording Modes: HD1280x720p

Max Video Bitrate: 25 Mbps

Photo: JPEG

Video: AVI

Supported TF Cards: TF Card 4 GB included

Operating Temperature Range: 32° to 104°F (0° to 40°C)

APP / LIVE VIEW

Mobile App: Deerc FPV

Live View Working Frequency: 2.4 GHz ISM

Live View Quality: 720P @ 20fps

Latency: Low Latency Video (depend on conditions and mobile device)

Required Operating Systems: iOS 8.0 or above / Android 4.1.2 or above

Recommended Devices: 4.7" to 6.0" Smart phones

TRANSMITTER

Operating Frequency: 2.4 GHz

Transmission Distance: 50-100 m (outdoors and unobstructed)

Operating Temperature Range: 32° to 104°F (0° to 40°C)

Battery: 4×1.5 V Alkaline batteries AA

Mobile Device Holder: Smart phones

FLIGHT BATTERY

Capacity: 650mAh

Voltage: 3.7 V

Battery Type: LiPo

Energy: 2.405Wh

Net Weight: 30 g / 1 oz

Charging Temperature Range: 41° to 104°F (5° to 40°C)

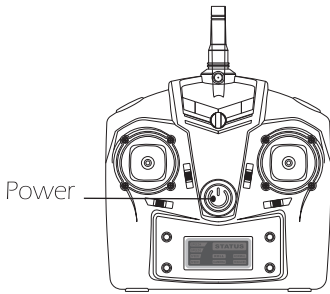
Charging Time: 60~90 mins

USB CHARGING CABLE

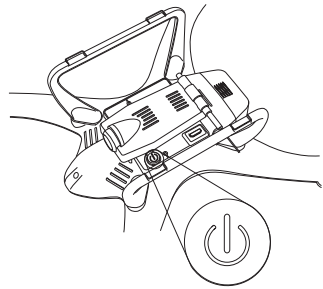
Voltage: 5 V

Rated Power: ≤10 W

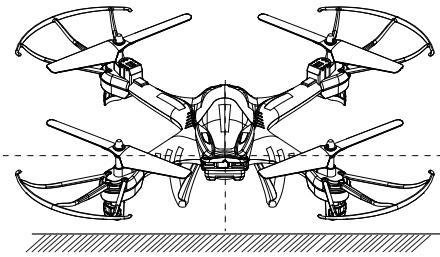
- ⚠ • Rotating propellers can be dangerous. Do not start the motors when there are people nearby.
- Always keep your hands on the transmitter so long as the motor is still spinning.
- Only stop motors mid-flight in emergency situations when doing so can reduce the risk of damage or injury. Refer to the instructions.



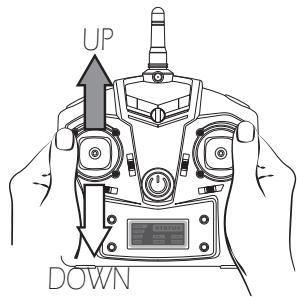
① Power on the transmitter.



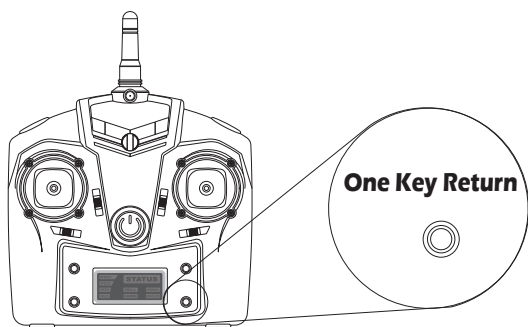
② Power on the drone.



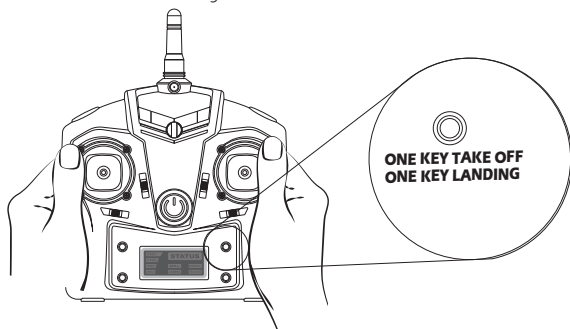
- ③ Place the drone on a level surface, now the LED indicators on the drone will flash.
- ④ Push left joystick up then down to pair the drone and transmitter.



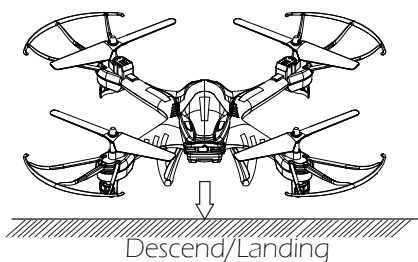
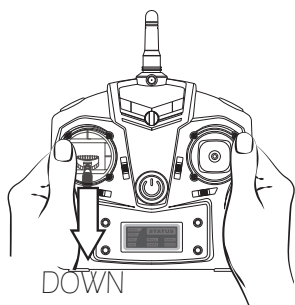
If done correctly, one beep will be heard from the transmitter, and all the status LED indicator lights on the transmitter will turn on. The LED lights on the drone will turn to steady at the same time.



- ⑤ Long press the One Key Return Function button to calibrate the gyro.



- ⑥ Press ONE KEY TAKE OFF, the drone will fly up and hover about 1.5 meters above the ground. When you want to make drone land, press ONE KEY LANDING, the drone will land slowly by itself until it touch the ground.

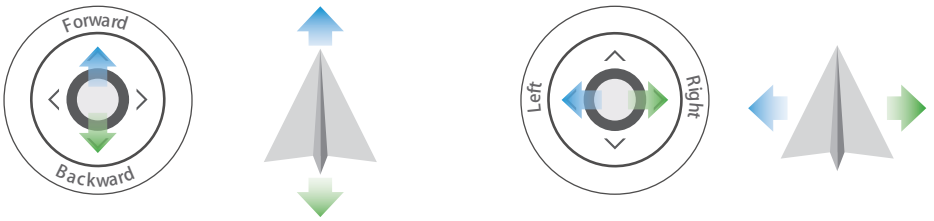


- ⑦ **Manual Landing:** Push left joystick down (slowly) until the drone touch the ground. Hold a few seconds to stop the motors.

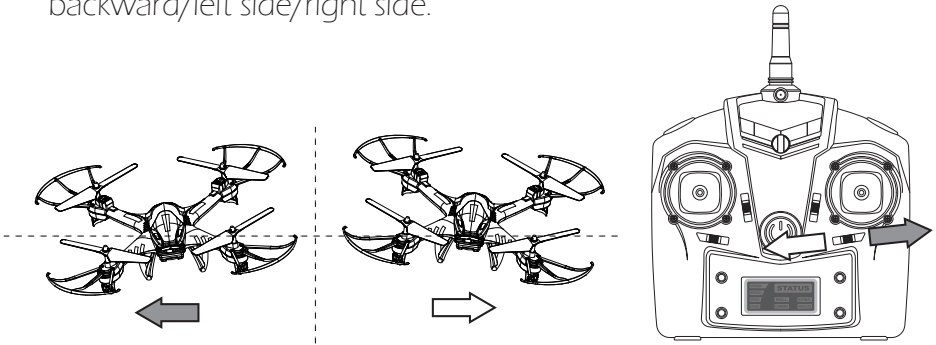
NOTICE: The default flight control is known as Mode 2. The left stick controls the drone's altitude and heading, while the right stick controls its forward, backward, left and right movements.



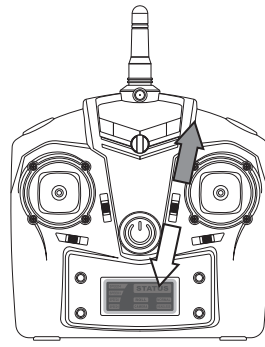
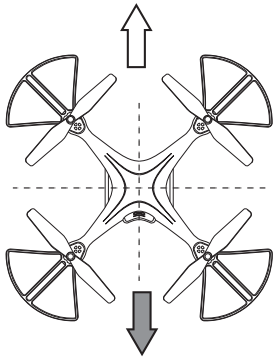
- ⑧ Push the left joystick (slowly) up/down/left/right, the drone will ascend/descend, or rotate to left/right.



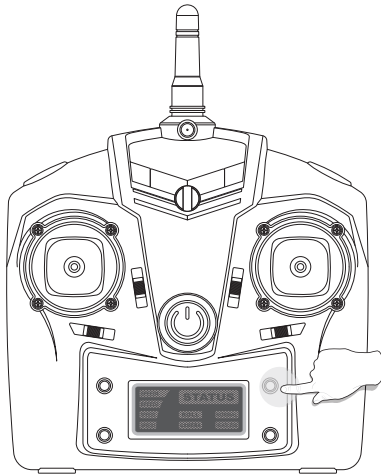
- ⑨ Push the right joystick up/down/left/right, the drone flies forward/backward/left side/right side.



- ⑩ **L/R Sideward Fly Trim:** When the drone drifts to the left or the right side, slide the trim button to the opposite direction to re-balance the drone.



- ⑪ **F/B Sideward Fly Trim** : When the drone drifts to forward or backward, slide the trim button to the opposite direction to re-balance the drone.

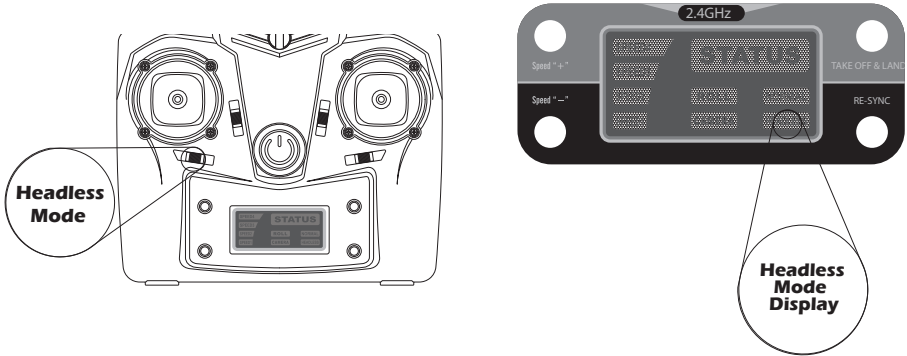


- ⑫ **Emergency Stop**: Long press or double click the Emergency Stop button, the motors will stop immediately.

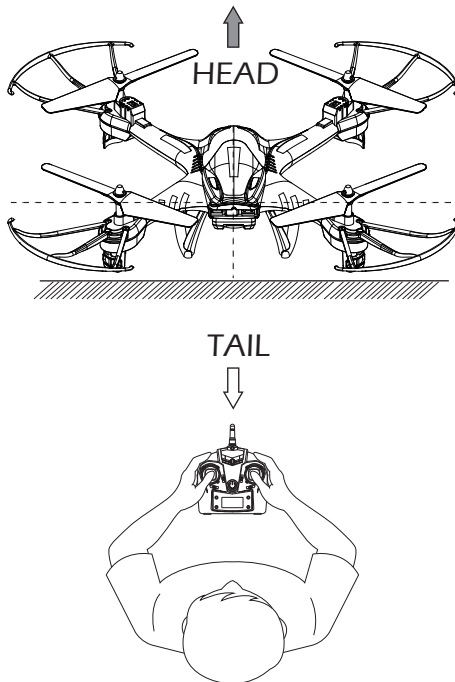
⚠️ Only stop motors mid-flight in emergency situations when doing so can reduce the risk of damage or injury.

< HEADLESS MODE >

- !** Do not use the Headless Mode until you totally comprehend the instructions for use. Flying in Headless Mode without sufficient experience might result in loss or damage of the device.

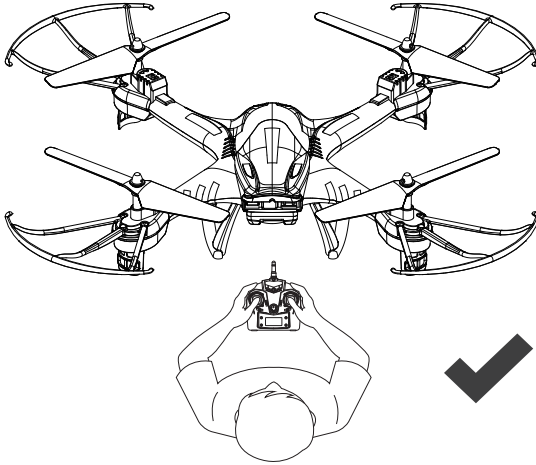


1. Place the drone in front of the pilot before pairing the drone to transmitter. Make sure the head of the drone faces in the same direction as the pilot, and the tail faces towards the pilot.

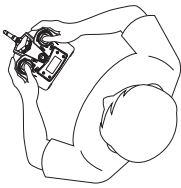


< HEADLESS MODE >

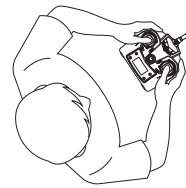
2. Push the left joystick up then down to pair the transmitter to the drone.
3. Press the Headless Mode button on the transmitter to enter Headless Mode.



The direction of control when paired



Don't turn your direction



Don't turn your direction

Under Headless Mode, the forward direction is the direction the pilot faces when the pilot pairs the drone with the transmitter. If the pilot pushes the direction joystick forward, the drone will fly away from you. If the pilot pushes the direction joystick backward, the drone will flight towards him/her. If you move the right stick left or right, then the drone will also move left or right relative to you. It is very important that the pilot does not change positions or the direction he or she is facing, because this will cause confusion on the drone.

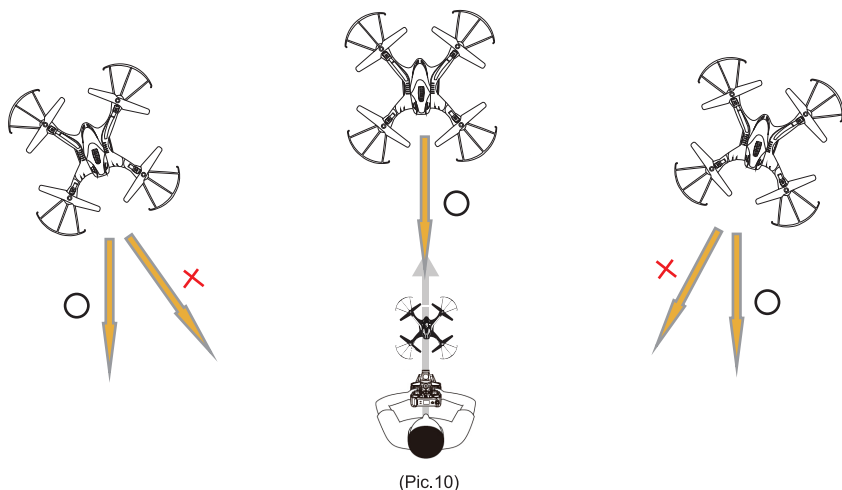
4. Press the Headless Mode button again to exit Headless Mode.

< ONE KEY RETURN >

The Model is designed with a One Key Return function. The function makes the drone fly itself back towards the pilot automatically by simply pressing the One Key Return button. It will continue to fly in this direction until One Key Return mode is canceled or the pilot moves one of the control sticks to resume control of the drone.

● In Normal Mode (The LED light "NORMAL" turns on):

Press the One Key Return button, the drone would fly back to the direction where the tail of the drone pointed when the drone was paired.



○ Right Track

✗ Wrong Track

● In Headless Mode (The LED light "HEADLESS MODE" is lit)

Press the One Key Return button, the drone will fly back towards the direction where the tail of the drone pointed when the drone entered Headless Mode.

Please use the Headless Mode and One Key Return function after you totally comprehend the function. Otherwise, it may cause loss of control or damage.

<WIFI CAMERA FUNCTION >

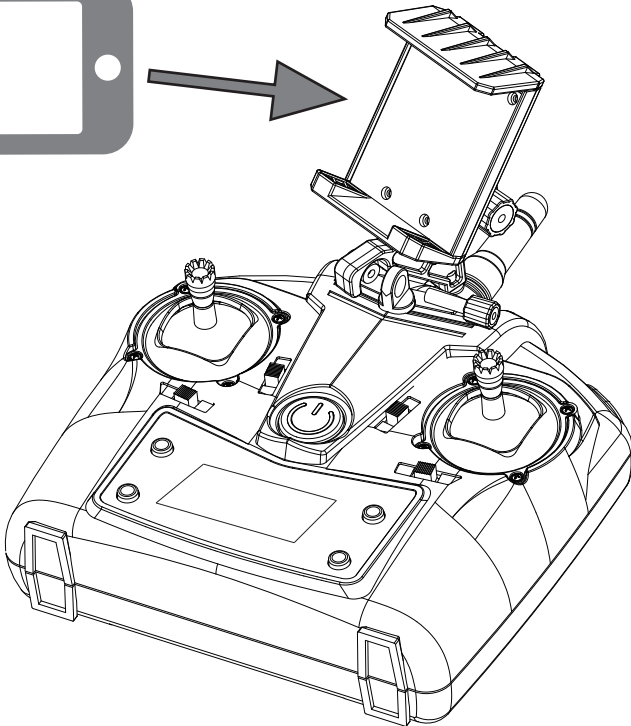
This drone is equipped with FPV real-time camera function as well as gravity sensor control function. Please download the “Deerc FPV” App to use these functions.



QR code of “Deerc FPV” App for Apple iOS system (Please scan this QR code to download the APP).



QR code of “Deerc FPV” App for Android system (Please scan this QR code to download the APP).



(Install the phone holder)

< FIRST PERSON VIEW FUNCTION >

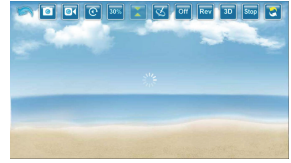
Power on your drone, then go into your phone settings, select Wi-Fi, and then connect to “HolyStoneFPV****”, which is the camera connection. Once you have successfully connected, exit the settings menu on your phone and open the “Deerc FPV” App to see real-time images from camera.






Open the software
“HSS2 FPV”



Click “PLAY” icon

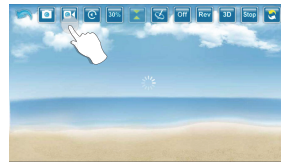


Real-time image or video will
appear on the mobile screen

1. TAKE PHOTO: Click “” icon to take photos. (Pic. 1)
2. RECORD VIDEO: Click “” icon to record Video and click “” again to save. (Pic. 2)

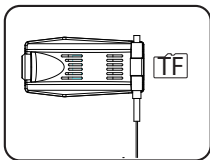


(Pic. 1)

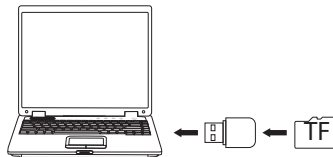


(Pic. 2)

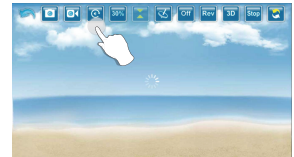
3. All the images and videos are saved in the phone and in the TF card (make sure it is inserted into the camera, see (Pic. 3)). Press the TF card slightly to take it out, then, insert the card into the TF card reader and insert into the USB outlet of a computer to read the data from TF card, (Pic. 4). The images can be also viewed in the App (Pic. 5).



(Pic. 3)



(Pic. 4)

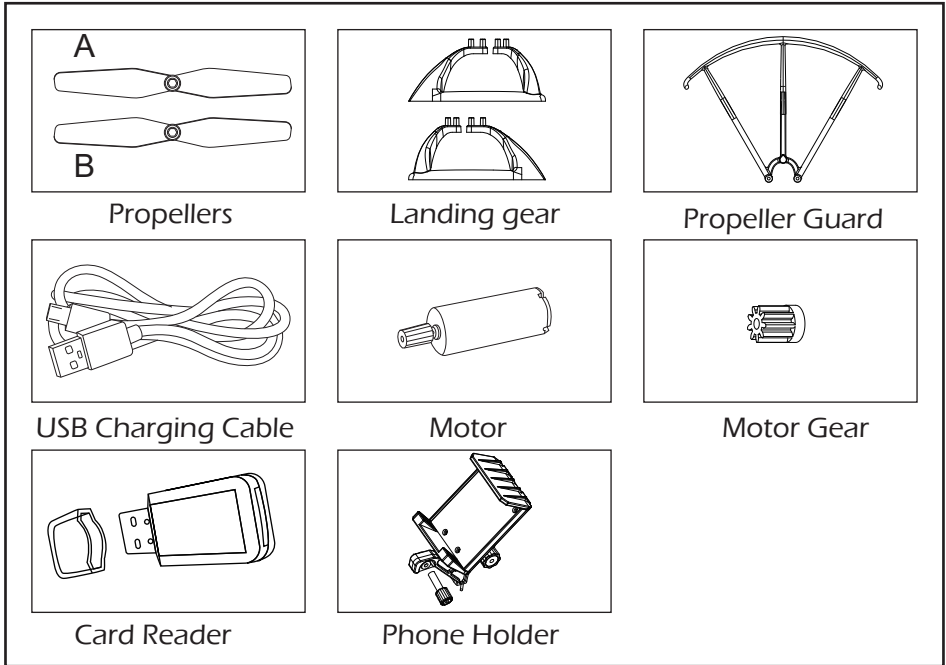


(Pic. 5)

Tip:

For more details, please click “” icon on the APP interface.


SPARE PARTS(Sold Separatly)




< TROUBLE SHOOTING >

THE PROBLEM	REASON	SOLUTION
The indication lights of the drone are flashing and does not respond to the transmitter.	1. Communication between the drone and transmitter is not correct. 2. Battery power is low.	1. Refer to the preparation for taking off and pair again. 2. Recharge the battery.
The propellers spin but the drone is unable to take off.	1. The propellers are assembled in wrong orientation. 2. The propellers are distorted.	1. Replace the propellers according to the motors. 2. Replace the propellers
The drone shakes hardly.	The propellers are distorted.	Replace the propellers
The trimmer button are all on but the drone still cannot keep balance.	1. The propellers are distorted. 2. The motor doesn't work properly.	1. Replace the propellers. 2. Replace the motor.
The drone becomes out of control after crashing.	Gyro sensor lose it's balance after crashing.	Put the drone on a level surface for 5-10 seconds, and recalibrate the gyro.

Please do not hesitate to contact us if you need further support.


usa@holystone.com (USA) eu@holystone.com (EU)
ca@holystone.com (CA) jp@holystone.com (JP)

 +1(855) 888-6699

GENERAL INFORMATION

FCC Notice:

This device complies with Part 15 of the FCC Rules.

Operation is subject to the following two conditions:

- (1) This device may not cause harmful interference.
- (2) This device must accept any interference received, including interference that may cause undesired operation.

NOTE: This equipment has been tested and found to comply with the limits for a Class B digital device, pursuant to Part 15 of the FCC Rules. These limits are designed to provide reasonable protection against harmful interference in a residential installation. This equipment generates uses and can radiate radio frequency energy and, if not installed and used in accordance with the instructions, may cause harmful interference to radio communications. However, there is no guarantee that interference will not occur in a particular installation. If this equipment does cause harmful interference to radio or television reception, which can be determined by turning the equipment off and on, the user is encouraged to try to correct the interference by one or more of the following measures:

- Reorient or relocate the receiving antenna.
- Increase the separation between the equipment and receiver.
- Connect the equipment into an outlet on a circuit different from that to which the receiver is connected.
- Consult the dealer or an experienced radio/TV technician for help.

WARNING: Changes or modifications not expressly approved by the party responsible for compliance could void the user's authority to operate the equipment.

RF Exposure

The equipment complies with FCC radiation exposure limits set forth for an uncontrolled environment. This device should be installed and operated with minimum distance 20cm between the radiator & your body.

IC Notice:

This device complies with Canada Industry licence-exempt RSS standard(s). Operation is subject to the following two conditions:

- (1) this device may not cause interference; and
- (2) this device must accept any interference. Including interference that may cause undesired operation of the device.

CAN ICES-3 (B)

Avis d'Industrie Canada

Le présent appareil est conforme aux CNR d'industrie Canada applicables aux appareils radio exempts de licence. L'exploitation est autorisée aux deux conditions suivantes:

- 1) l'appareil ne doit pas produire de brouillage; et
 - 2) l'utilisateur de l'appareil doit accepter le brouillage radioélectrique subi même si le brouillage est susceptible d'en compromettre le fonctionnement.
- Le mauvais fonctionnement de l'appareil. Cet appareil numérique de la classe B est conforme à la norme NMB-003 du Canada.

CAN NMB-3 (B)

RF Exposure

Radiation Exposure Statement:

This equipment complies with IC radiation exposure limits set forth for an uncontrolled environment. This equipment should be installed and operated with minimum distance 20cm between the radiator & your body.

Déclaration d'exposition aux radiations:

Cet équipement est conforme aux limites d'exposition aux rayonnements IC établies pour un environnement non contrôlé. Cet équipement doit être installé et utilisé avec un minimum de 20 cm de distance entre la source de rayonnement et votre corps.

HOW TO RECYCLE THIS PRODUCT

This symbol on the product or its documentation indicates that it must not be disposed of with household waste.

Uncontrolled waste disposal may harm the environment or human health. Please separate your device from other types of waste to recycle it responsibly. This will help to foster the sustainable re-use of material resources.

We invite you to contact your retailer or inquire at your local town hall to find out where and how the drone can be recycled.



BATTERY WARNING:

- 1.Failure to follow all the instructions may result in serious injury, irreparable damage to the battery and may cause a fire, smoke or explosion.
- 2.Always check the battery's condition before charging or using it.
- 3.Replace the battery if it has been dropped, or in case of odour, overheating, discolouration, deformation or leakage.
- 4.Never use anything other than the approval LiPo charger the battery. Always use a balancing charger for LiPo cells or a LiPo cell balancer. It is recommended that you do not to use any other charger than the one provided with the product.
- 5.The battery temperature must never exceed 60°C(140°F) otherwise the battery could be damaged or ignite.
- 6.Never charger on a flammable surface, near flammable products or inside a vehicle (preferably place the battery in a non-flammable and non-conductive container).
- 7.Never leave the battery unattended during the charging process. Never disassemble or modify the housing's wiring, or puncture the cells. Always ensure that the charger output voltage corresponds to the voltage of the battery. Do not short circuit the batteries.
8. Never expose the LiPo battery to moisture or direct sunlight, or store it in a place where temperatures could exceed 60°C(car in the sun, for example).
- 9.Always keep it out of reach of children.
- 10.Improper battery use may result in a fire, explosion or other hazard.
- 11.Non-rechargeable batteries are not to be recharged. Rechargeable batteries are only to be charged under adult supervision.
- 12.Different types of batteries or new and used batteries are not to be mixed.
- 13.Batteries are to be inserted with the correct polarity.

14.The supply terminals are not to be short-circuited. Regular examination of transformer or battery charger for any damage to their cord, plug, enclosure and other parts and they must not be used until the damage has been repaired.

15.The packaging has to be kept since it contains important information.

16.The toy is only to be connected to Class II equipment bearing the symbol. 

Caution

1.Risk of explosion if battery is replaced by an incorrect type. Dispose of used batteries according to the instructions.

2.The max operating of the EUT is 45°C. and shouldn't be lower than -10°C.

3.The device complies with RF specifications when the device used at 0mm from your body.

4.Declaration of Conformity

We, Xiamen Huoshiquan Import & Export CO., LTD

hereby, declare that the essential requirements compliance with the Directive 2014/53/EU, the RoHS Directive 2011/65/EU and Safety Directive 2009/48/EC have been fully fulfilled on our product with indication below:

Product Name: Remote control four axis series

Model : HS110/HS200

The Statement of compliance is available at the following address:

http://www.holystone.com/Download/CE/HS110_HS200_EU_DOC.pdf

This product can be used across EU member states.

MANUFACTURER INFORMATION

Manufactured by

Xiamen Huoshiquan Import & Export CO., LTD

Room 703,No. 813-2 Xiahe Road, Siming District, XIAMEN, China

+1(855) 888-6699



Made in China