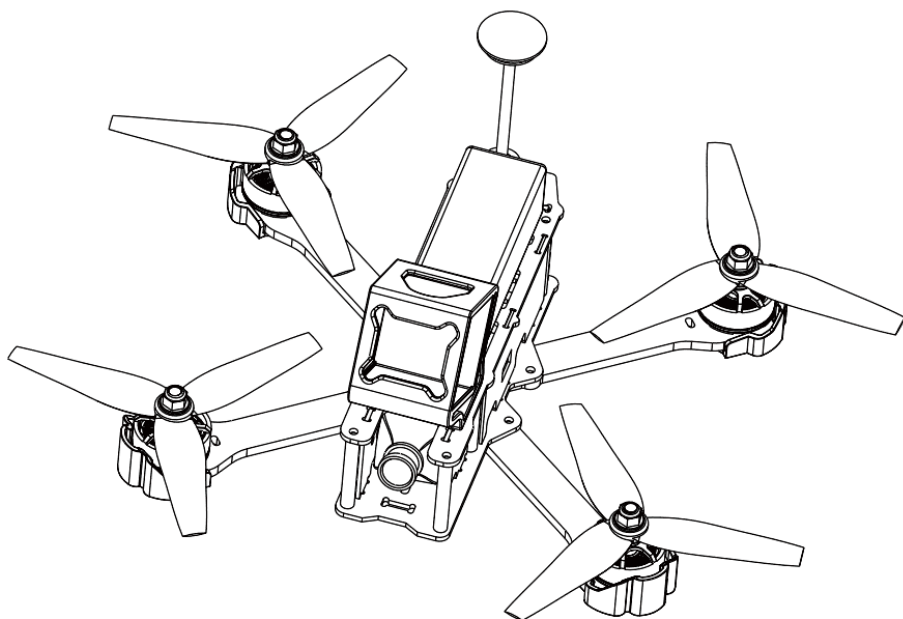


# Wizard X220s

QUICK START GUIDE



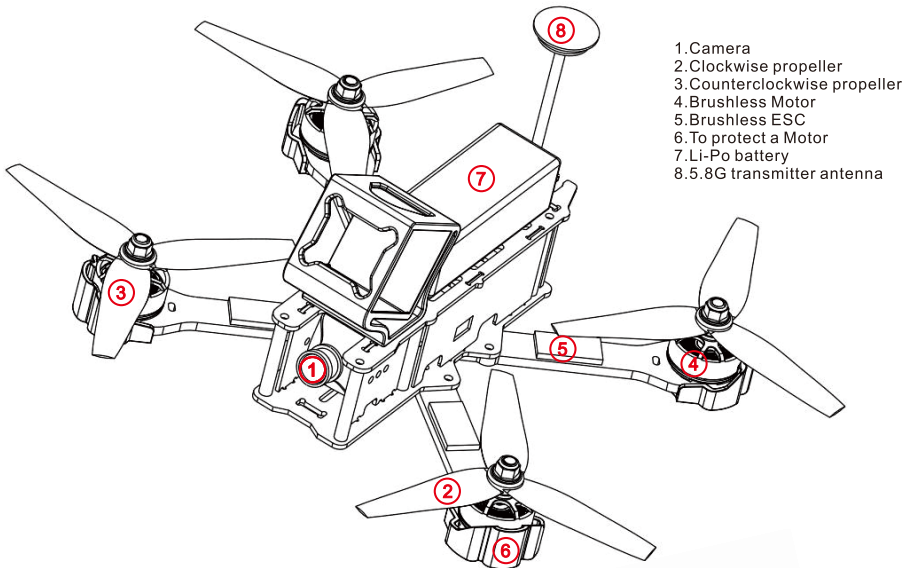
# Contents

1.0 Knowing your aircraft.....	3
2.0 Knowing your remote controller.....	4
3.0 Specifications.....	5-6
4.0 Motor Unlock / Lock .....	7
5.0 Notes for flight.....	8
6.0 Charging.....	8



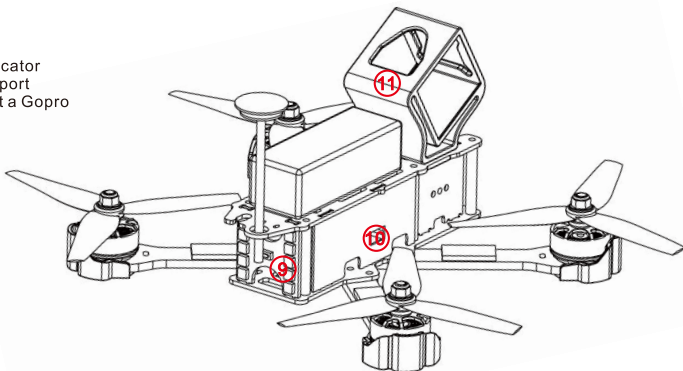
## 1.0 Knowing your aircraft

- With its body structure made of carbon fiber composite, it features ultra-high tenacity and good resistance to impact.
- Brand-new industrial and modular designs are employed to improve its expandability, ease of installation/maintenance and expandability.
- Equipped with 5.8G real-time video transmission system and OSD system, it brings about a different visual effect.
- It is capable of presenting forward/backward, right/left rollover and racing as well as other aerobatic flight experience



1. Camera
2. Clockwise propeller
3. Counterclockwise propeller
4. Brushless Motor
5. Brushless ESC
6. To protect a Motor
7. Li-Po battery
8. 5.8G transmitter antenna



9. Status indicator
10. Upgrade port
11. To protect a GoPro

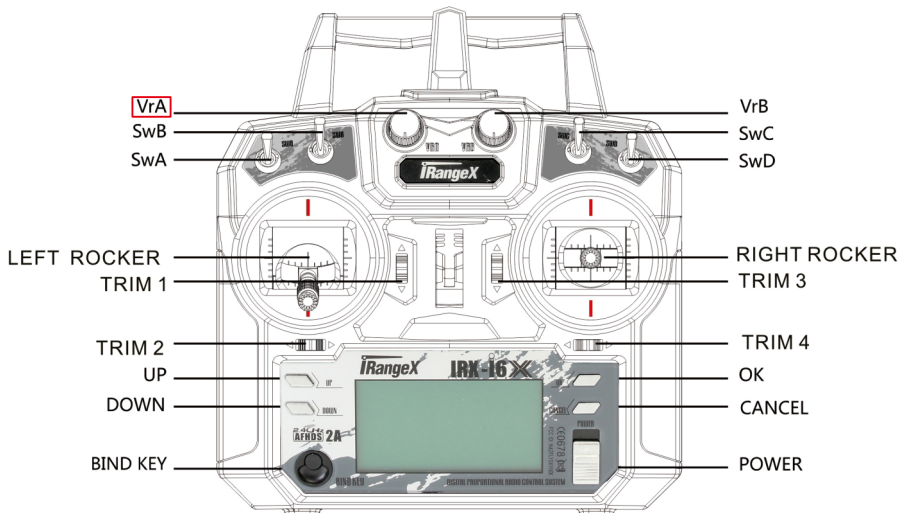


## 2.0 Knowing your remote controller

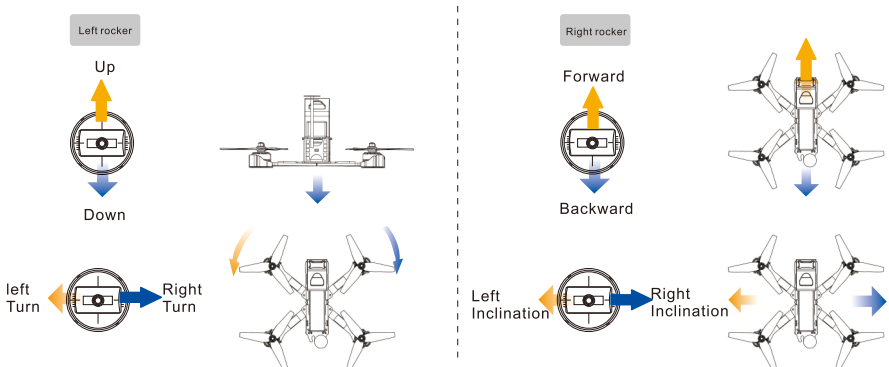
Remote controller is equipped with functional switches of primary flight/high-level flight modes, which are easy to operate. (You may select the flight mode suitable with your flying skill)

- ※ Primary flight mode: the flight control system provided with autostability function can achieve stable operation but not rollover, which is suitable for beginners.
- ※ High-level flight mode: the flight control system provided with the autostability function can achieve highly flexible operation and rollover.

Primary flight mode	High-level flight mode
	
VrA counterclockwise rotation	VrA clockwise rotation



Take “left-hand throttle” as an example. The left rocker controls the aircraft’s altitude and leading, while the right rocker controls its forward, backward, left and right movements.



### 3.0 Specification

Item	Specification																																																																																										
Eachine Wizard X220S	<p>Wheelbase: 220mm                      Frame arm: 4mm light material                      Weight: 356g (without battery and camera mount)                      Take off weigh: 561g                      Package weigh: 1728g                      Use light composite material.                      4mm thickness and 15mm width frame arms, the width is 10mm less than Eachine Wizard X220.                      Frame kit with camera angle scale and 30° camera mount for Runcam 3 Gopro session.                      Anti-vibration sponges to protect the racer from crashing.</p>																																																																																										
Eachine MN2206 2300KV motor	<p>KV: 2300                      Max thrust: 1100G                      Length: 35MM                      NO_OF cell: 3-5S                      Diameter: 28MM                      Framework: 12N14P                      Shaft: 3MM                      Propeller: 5 inch                      Weight: 28g</p>																																																																																										
Eachine 30A BLHELI_S 4 in 1 ESC	<p>Con. current: 30A                      Peak current (10S): 35A                      Input voltage: 2-5S                      BEC: No                      Programming: YES                      Firmware: blheli_s                      Weight: 28g                      Size: 36*36MM</p>																																																																																										
Eachine 1179 800TVL CCD camera	<p>Color: purple                      Sensor: CCD                      Resolution(horizontal center): 800TVL                      Shell size: 25mm*25mm                      Weight: 11g                      Resolution: PAL: 1980H*1080 (2MP) NTSC: 1980H*1080V (2MP)                      Format: PAL/NTSC switchable                      Video output: 1.0Vp-p/75Ω                      Automatic gain control: 0.25/0.50/0.75/1.00 adjustable, up to 55dB.                      AWB: ON/OFF                      Exposure mode: electron exposure                      Electronic shutter: 1/50(1/60) - 1/1000000 S                      Gamma correction: 0.45/1.0                      Synchronization method: internal synchronization                      Lens: standard 2.8mm lens                      Working voltage: DC12V (Wide Voltage, measured that can be work in 5-13V)                      Workig current: 70mA (low power consumption)                      Workig temperature: -20℃--60℃                      Humidity: 0%~98%                      Strong backlighting effect</p>																																																																																										
5.8G 72CH 25MW 200mw 600MW switchable transmitter	<p>Video Format : NTSC/PAL                      Channel: 72CH                      Operating Temperature : -10~85℃                      Connector: SMA Female (Inner hole)                      Antenna Connector: SMA male (Inner needle)</p> <table border="1" style="width: 100%; text-align: center;"> <thead> <tr> <th>Band</th> <th>CH1</th> <th>CH2</th> <th>CH3</th> <th>CH4</th> <th>CH5</th> <th>CH6</th> <th>CH7</th> <th>CH8</th> </tr> </thead> <tbody> <tr> <td>Band-A</td> <td>5865</td> <td>5845</td> <td>5825</td> <td>5805</td> <td>5785</td> <td>5765</td> <td>5745</td> <td>5725</td> </tr> <tr> <td>Band-b</td> <td>5733</td> <td>5752</td> <td>5771</td> <td>5790</td> <td>5809</td> <td>5828</td> <td>5847</td> <td>5866</td> </tr> <tr> <td>Band-E</td> <td>5705</td> <td>5685</td> <td>5665</td> <td>5645</td> <td>5885</td> <td>5905</td> <td>5925</td> <td>5945</td> </tr> <tr> <td>Band-F</td> <td>5740</td> <td>5760</td> <td>5780</td> <td>5800</td> <td>5820</td> <td>5840</td> <td>5860</td> <td>5880</td> </tr> <tr> <td>Band-r</td> <td>5658</td> <td>5695</td> <td>5732</td> <td>5769</td> <td>5806</td> <td>5843</td> <td>5880</td> <td>5917</td> </tr> <tr> <td>Band-U</td> <td>5325</td> <td>5348</td> <td>5366</td> <td>5384</td> <td>5402</td> <td>5420</td> <td>5438</td> <td>5456</td> </tr> <tr> <td>Band-o</td> <td>5474</td> <td>5492</td> <td>5510</td> <td>5528</td> <td>5546</td> <td>5564</td> <td>5582</td> <td>5600</td> </tr> <tr> <td>Band-L</td> <td>5333</td> <td>5373</td> <td>5413</td> <td>5453</td> <td>5493</td> <td>5533</td> <td>5573</td> <td>5613</td> </tr> <tr> <td>Band-H</td> <td>5653</td> <td>5693</td> <td>5733</td> <td>5773</td> <td>5813</td> <td>5853</td> <td>5893</td> <td>5933</td> </tr> </tbody> </table>	Band	CH1	CH2	CH3	CH4	CH5	CH6	CH7	CH8	Band-A	5865	5845	5825	5805	5785	5765	5745	5725	Band-b	5733	5752	5771	5790	5809	5828	5847	5866	Band-E	5705	5685	5665	5645	5885	5905	5925	5945	Band-F	5740	5760	5780	5800	5820	5840	5860	5880	Band-r	5658	5695	5732	5769	5806	5843	5880	5917	Band-U	5325	5348	5366	5384	5402	5420	5438	5456	Band-o	5474	5492	5510	5528	5546	5564	5582	5600	Band-L	5333	5373	5413	5453	5493	5533	5573	5613	Band-H	5653	5693	5733	5773	5813	5853	5893	5933
Band	CH1	CH2	CH3	CH4	CH5	CH6	CH7	CH8																																																																																			
Band-A	5865	5845	5825	5805	5785	5765	5745	5725																																																																																			
Band-b	5733	5752	5771	5790	5809	5828	5847	5866																																																																																			
Band-E	5705	5685	5665	5645	5885	5905	5925	5945																																																																																			
Band-F	5740	5760	5780	5800	5820	5840	5860	5880																																																																																			
Band-r	5658	5695	5732	5769	5806	5843	5880	5917																																																																																			
Band-U	5325	5348	5366	5384	5402	5420	5438	5456																																																																																			
Band-o	5474	5492	5510	5528	5546	5564	5582	5600																																																																																			
Band-L	5333	5373	5413	5453	5493	5533	5573	5613																																																																																			
Band-H	5653	5693	5733	5773	5813	5853	5893	5933																																																																																			

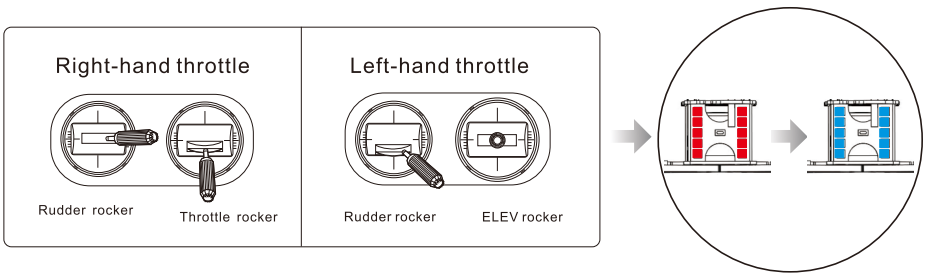
### 3.0 Specification

<p><b>Omnibus F4 V3 flight controller</b></p>	<p>Size: 36x36mm                  Mount holes: 30.5x30.5mm                  STM32 F405 MCU, Runs Betaflight 3.0.1 firmware, could run faster loop time.                  Using F4 MCU controls OSD over SPI bus in DMA mode.                  OSD Configuration has been included in Betaflight GUI.                  SBUS/PPM input (Pinheaders)                  6PWM output (1-4Pinheaders and Sh1.0 Plug, 5-6 as Pinheaders)                  NO BARO                  SPI Sensor MPU6000                  Included 128Mbit Flash, please always use BEC for the FC.                  Supported by BETAFLIGHT and dRonin</p>
<p><b>iRangeX iRX-i6X 2.4GHz 10CH remote control</b></p>	<p>Channel: 6-10 (Default 6)                  Model Type: Fixed-Wing/Glider/Helicopter                  RF Range: 2.408-2.475GHz                  RF Power: &lt; 20dBm                  RF Channel: 135                  Bandwidth: 500KHz                  2.4GHz System: AFHDS 2A / AFDHS                  Modulation Type: GFSK                  Stick Resolution 4096                  Low Voltage Warning: &lt; 4.2V                  DSC port: PS/2 Port PPM                  Chargeable: No                  Antenna Length: 26mm (Dual Antenna)                  Weight: 392g                  Power: 6V DC 1.5AA*4                  Display: STNTransflective Display, LCD 128x64 Lattice, VA 73x39mm, LCD with white backlight                  Size: 174x89x190mm                  On-line Update: Yes                  Color: Black                  Certificate: CE0678, FCC ID: N4ZFLYSKY16X</p>
<p><b>iRangeX iR-A8S receiver</b></p>	<p>Channels: PPM 8CH                  Model type: Multi-rotor                  Frequency range: 2.408-2.475GHz                  Band width: 500KHz                  Band number: 135                  RX Sensitivity: -92 dBm                  2.4GHz system: AFHDS 2A                  Modulation type: GFSK                  DSC port: PPM                  Transfer method: FHSS                  Data output: 1.5mm*3 Pin PPM                  Antenna length: 26mm (Not including brass contacts)                  Input power supply: 4.0-8.4V                  Display method: LED                  No ground interference ( Transmitting and receiving 1 m from the ground): &gt;300m                  Working current: 40mA                  Each channel data: depend on the transmitter                  Channel delay: &lt;15mS                  Size: 20*14*5.3mm                  Weight: 1.2g                  Certificate: CE0678, FCCID: N45ZA8S00</p>
<p><b>1500mAh 4S 14.8V 75C battery</b></p>	<p>Capacity(mAh) : 1500                  Cells (s): 4                  Weight (g): 177                  Length(mm): 80</p>

## 4.0 Motor Unlock/Lock

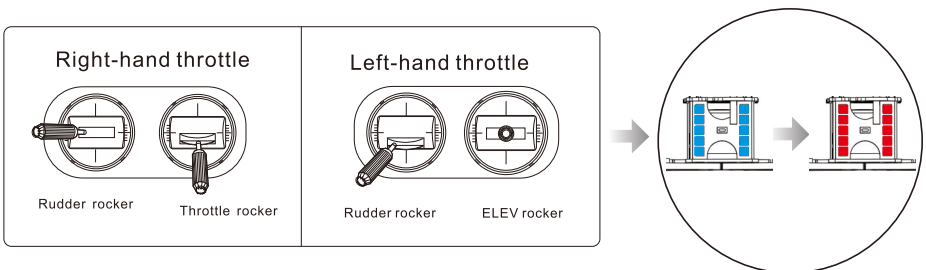
### Motor Unlock

Place the throttle lever at the lowest point, set the rudder rocker to the right and hold for more than two seconds, the red state indicator turns blue and the buzzer gives the "BB" sound to unlock the motor.



### Motor Lock

Put the throttle rocker at bottom and the rudder a handle to the left and status indicator light blue to red and "BB" from the buzzer sound when the lock for motor, the push up the throttle rocker motor won't turn.



## 5.0 Notes for flight

- 1) It is intended for pilots aged 14 or above with model hobby experience.
  - 2) Only fly it in dry weather with low wind, please do not fly in rain, snow or heavy foggy conditions.
  - 3) An open field lawfully permitted must be selected for flying in line with your mental condition and flying skill.
  - 4) Always keep a certain distance from aircraft and keep it from high-speed rotating parts, such as propellers or brushless motors.
  - 5) Do not fly around high-voltage power lines, cellphone basestation or radio towers, as they are likely to interrupt your communication.
  - 6) Always check local laws before flying, never fly an illegal flight
- 

## 6.0 charging

- ① Power adapter is connected to mains power (100~240V 50/60HZ), When its output terminal is connected to charger, the charger's green LED light flashes.
- ② Plug the charging terminal of battery into charger.
- ③ Red LED light remains on during battery charging, and green LED light remains on when charging is completed.