

PROBLEMS 问题	CAUSES 原因	SOLUTIONS 处理方法
Fail to ascend 无人机不能升高	The rotation speed of main propellers is too slow. 旋翼转动速度太慢	Push up the left slider. 左操纵滑块向上推。
	The battery of the drone is not fully charged. 无人机未充满电	Please full charge the drone. 为无人机完全充电
Landing too fast 无人机很快跌落	The left slider is pulled down too fast. 下滑左操纵滑块速度过快	Pull down the left slider slowly to perform a smooth landing. 慢慢地下滑左操纵滑块让无人机慢慢着陆
	Press emergency stop accidentally. 误按一键急停键	Only use for emergency situations. 此功能仅限于紧急情况

changes or modifications not expressly approved by the party responsible for compliance could void the user's authority to operate the equipment.

This device complies with Part 15 of the FCC rules. Operation is subject to the following two conditions:  
(1) this device may not cause harmful interference, and  
(2) this device must accept any interference received, including interference that may cause undesired operation.

Note: This equipment has been tested and found to comply with the limits for a Class B digital device, pursuant to Part 15 of the FCC Rules. These limits are designed to provide reasonable protection against harmful interference in a residential installation. This equipment generates, uses, and can radiate radio frequency energy, and if not installed and used in accordance with the instructions, may cause harmful interference to radio communications. However, there is no guarantee that interference will not occur in a particular installation. If this equipment does cause harmful interference to radio or television reception, which can be determined by turning the equipment off and on, the user is encouraged to try to correct the interference by one or more of the following measures:  
-Reorient or relocate the receiving antenna.  
-Increase the separation between the equipment and receiver.  
-Connect the equipment into an outlet on a circuit different from that to which the receiver is connected.  
-Consult the dealer or an experienced radio/TV technician for help.

This equipment complies with FCC radiation exposure limits set forth for an uncontrolled environment. This equipment should be installed and operated with a minimum distance of 20cm between the radiator & your body. This transmitter must not be co-located or operating in conjunction with any other antenna or transmitter.

# SIMREX® AGE 14+



## 8816 8816W MINI Foldable UAVs 迷你可折叠无人机

Warning:  
1. Gyro must be calibrated before taking off, (also need to do this for phone operation). No calibration may cause the drone hard to operate. After pairing, long press the gyro calibration key to reset the Gyro.  
2. Don't use emergency stop function during flying unless it is urgent and drone is uncontrollable.

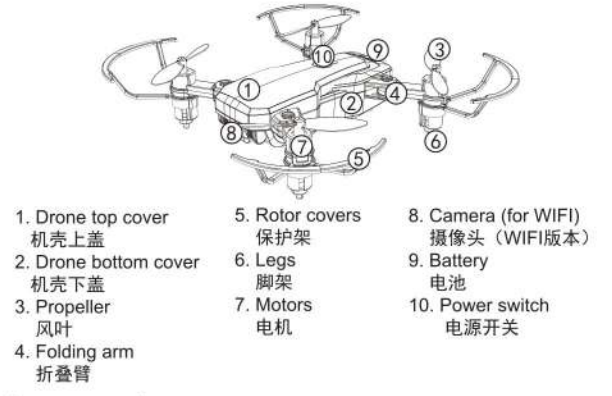
重要提示:  
1. 每次起飞前一定要对陀螺仪进行校准(手机操作也要校准),否则无人机会操作困难。无人机与遥控器配对成功后,长按陀螺仪校准键可对无人机进行校准,具体请参看说明书“无人机校准”。  
2. 非特殊情况,飞行期间禁止使用一键急停功能,否则,可能会损坏无人机。

Please read this manual carefully before operation and keep it properly for future reference.  
请在飞行前仔细阅读说明书并妥善保管以便日后参考。

## Know Your 8816 认识你的8816

With 2.4G frequency band for long remote control distance, 8816 allows multiple flights at the same time without any interference. User can control it to fly, roll, hover and take photos/videos with APP and WIFI connection on smart phone.

8816飞行器采用2.4G频段,可多人同时操作而互不干扰。通过WIFI连接手机APP遥控,也可实现飞行、翻滚、悬停、拍照、录像等功能。



- Accessories 配件表
- 8816Drone x1 8816无人机 x1
  - User manual x1 说明书x1
  - Remote Control x1 遥控器x1
  - USB charger x1 USB充电线x1
  - Extra propeller set x1 set 配送风叶x1套

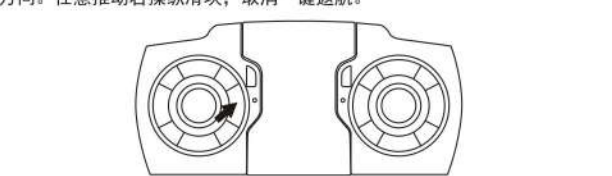
## FAQ 常见问题解决

PROBLEMS 问题	CAUSES 原因	SOLUTIONS 处理方法
Out of control 失控	No calibration. 无人机未校准	Must be calibrated before take off. 1.无人机起飞前必须校准
	Beyond the effective controlling distance. 超出有效遥控距离	Ensure operation within the controllable distance: remote control of 30-35 meters and WIFI control of 30-35 meters. 确保遥控距离在30-35m内,WIFI操控在30-35m内
Controller failure 遥控器失灵	Controller is in low battery. 遥控器电池电压过低,报警时间过长	Charge remote controller battery. 为遥控器电池充电
	Too strong wind force. 风力太大	Do not fly in windy days. The performance and the control of the drone will be affected by the strong winds. 切勿在有风的情况下飞行,有风会对无人机造成局限,或会妨碍你的控制飞行
	No correctly operate. 未正确按步骤操作	Please read the manual carefully. 仔细阅读操作手册

## One key return 一键返航

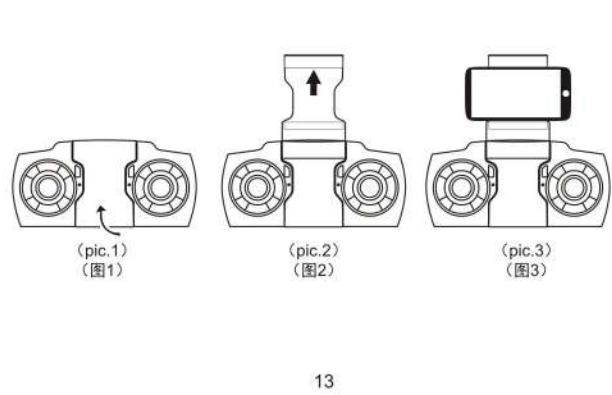
In headless mode, long press one key return, drone will fly to its back direction which is already set at headless mode, move randomly the right slider, exit this mode. This function is mainly designed for beginners, players can control the drone and let the drone back to flyer's direction when the flying direction is changed and not able to control if flies too far.

在无头模式下长按一键返航键,飞机将自动飞向启动无头模式时飞机朝后的方向。任意推动右操纵滑块,取消一键返航。



The method to set phone on remote controller (for 8816W with WIFI)  
① Turn the phone clip upwards (pic.1).  
② Pull out the clip (pic.2).  
③ Hold the phone (pic.3).

手机安装方法(适用于8816W):  
1.向上翻开手机夹(图1);  
2.把手机夹限位片拉开(图2);  
3.把手机夹于手机夹上(图3)。



Note:  
Please check the number of accessories carefully (as shown previously). Please provide proof of purchase and contact the store for replacement if any missing parts.  
注意:  
请仔细清点各配件及数量(如配件表),如果发现不齐全,请提供购买凭证,及时联系客服商家补货。

## Pre-flight Preparation 飞行前准备

### 1. Select Flight Environment 选择飞行环境

Indoor flying: choose a wide place without barriers, pets and people.  
在室内飞行:请选择附近无障碍物、人群和宠物的开阔空间飞行。

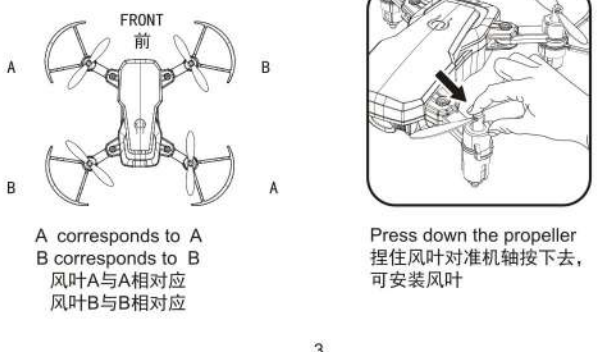
Outdoor flying: Choose a sunny and windless day.  
在室外飞行:请选择晴朗无风的天气或微风天气飞行。

Please keep the drone in sight during the flight and keep it away from barriers, high tension cables, trees and people.  
飞行时请保持飞行器在视线范围之内,并远离障碍物、高压线、树木、人群等。

## 2. Folding/Unfolding the Drone 展开/折叠无人机

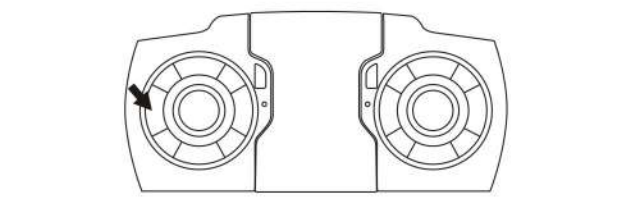
Steps:  
打开飞行器步骤:  
① Unfold the four arms on the drone.  
1.展开无人机四架折叠臂。  
② Insert the rotor covers from the bottom of arm feet.  
2.保护架安装:把保护罩从折叠臂下方套入,并确保安装到位。

## Propellers Installation 安装风叶



## 4. Set 3 speeds mode 3档速度调整

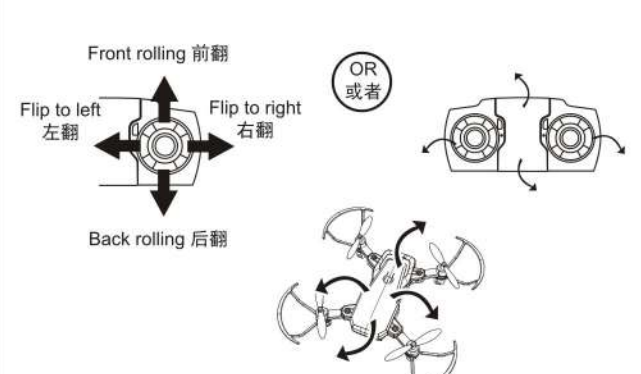
Short press down 3 speeds mode button, you can hear corresponding sounds, the drone is set 3 speeds mode.  
按下遥控器速度调整键,听到相应的声音,可实现3档速度调整。



## 5. Headless mode and one key return 无头模式和一键返航 Headless mode 无头模式

After short pressing headless mode, the LED light on drone start to flash, drone is now in headless mode, this will lock the drone flying direction, that means no matter which direction the drone will fly, it always remembers the first set direction. Pressing headless mode again, exit this mode.  
短按无头模式键后,无人机电灯闪烁,飞机进入无头模式状态。无头模式将锁定启动无头模式时飞机的方向,启动无头模式后,无论飞机如何转向,其前后左右均保持启动无头模式时飞机的方向。再次按下无头模式键,取消无头模式。

## Right Slider/Controller Gravity Sensor 右操纵滑块/遥控器重力感应



## 3. Fine-tuning Function 微调功能

If the drone deviates from course when hovering, you can use "Fine-tuning" for calibration until the drone is back to normal.  
当无人机离开地面至空中时,若无人机在空中倾向某方向,可使用微调修正动作。

- Fine tune forward if drone drifts back 向后偏移,按前微调
- Fine tune backward if drone drifts front 向前偏移,按后微调
- Fine tune left if drone drifts right 向右偏移,按左微调
- Fine tune right if drone drifts left 向左偏移,按右微调

## Lithium Battery Instruction 电池安装及充电方法

### 1. Remote controller battery Charging: 遥控器电池充电:

本遥控器自带可充电锂电池,无需更换。电池低电压时,会发出哔哔声。用USB充电线一端连接遥控器电池充电口,另一端连接USB充电接口。充电时USB线上LED灯常亮,充电结束后LED灯熄灭,充电时间约为20分钟。  
The remote controller is equipped with rechargeable lithium battery. When the battery gets low there is DIDI sound. Connect the USB charging interface and remote controller charging line by a USB charging line. The LED light is solid on when charging and light off when charging over. (about 20 minutes)

NOTE:  
• When charging please ensure the remote controller switch is off!  
• Do not use other charging line to charge for the remote controller or drone battery to ensure safety

注意:  
• 充电时,请确保遥控器开关处于关闭状态!  
• 不得使用其它充电线为遥控器及飞机电池进行充电!否则,会存在安全隐患!

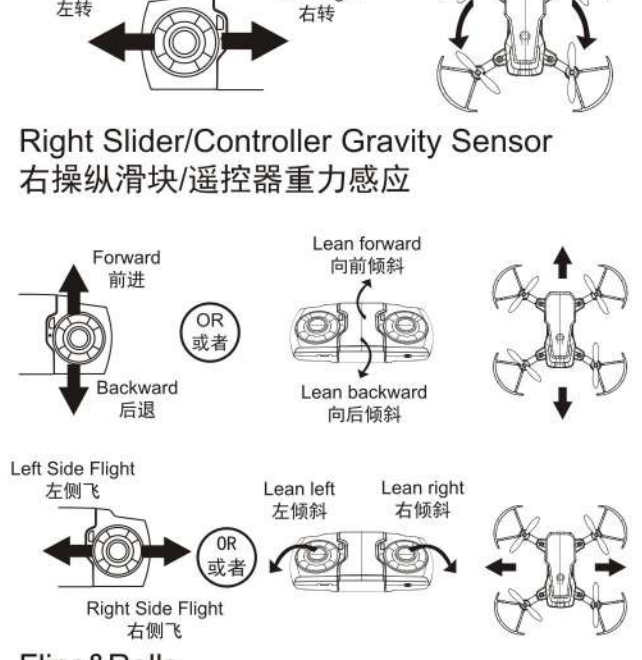
### 2. Battery Charging for Drone: 机身电池充电:



## Battery Instructions 电池使用注意

- There is a certain risk when using lithium battery. It may cause fire, body injury or property loss. Users must be aware of the risks and take full responsibility of using battery improperly.
- If battery leakage occurs, please avoid contacting your eyes and skin with electrolyte. Once it happens, please wash your eyes with clean water and seek medical care immediately.
- Please remove the plug immediately if you sense any peculiar smell, noise or smog.
- 使用锂电池有一定风险,可能对人和财产造成重大损失,请谨慎使用,自行承担所有相关责任。
- 如果电池发生泄漏,请避免液体与皮肤和眼睛接触。若接触到皮肤,请立即用香皂和清水清洗。若接触到眼睛,请立即以大量冷水冲洗并立即就医。
- 如果充电器发出可疑异味、噪音或者烟雾,请立即拔除电源。
- Battery Charging
- Please use the charger from original factory to ensure your safe usage.
- Do not charge dilated or outborn battery.
- Do not over charge battery. Please unplug the charger once fully charged.
- Do not charge the battery next to flammables, such as carpet, timber floor or wood furniture or on the surface of electro-conductive objects.
- Please always keep an eye on the battery when charging.
- Do not charge battery which not cool down yet.
- The charging temperature should be between 0°C to 40°C.
- 充电
- 请使用原厂配送的专用充电线充电,严禁使用破损或其他品牌充电线。
- 请勿对膨胀、泄漏或破损的电池充电。
- 请勿对电池过度充电。当电池完全充满后,请拔出充电器。
- 请勿在靠近易燃物(地毯、木地板、实木家具等)或导电的物体表面上充电。充电时请保持电池在视线范围内。
- 切勿在使用产品后电池过热时立即充电。
- 电池充电的温度应该介于0°C到40°C之间。
- Battery Recycling
- Do not dispose the battery as daily rubbish. Please familiarize yourself with the local garbage disposal method and dispose it according to the special requirement.
- 回收:此设备由电子元件和电池构成。关于电子电器垃圾,请按照当地垃圾处理要求,进行特殊处理。

## Right Slider/Controller Gravity Sensor 右操纵滑块/遥控器重力感应



## Flips & Rolls 翻滚

When the drone is hovering, press "3D flip" key then move the right slider in the desired direction of the roll.  
OR: press the gravity sensor key, then press 3D flip key and roll the remote controller to desired direction.  
无人机电悬停时,点击3D翻滚键并将右操纵滑块向某一个方向移动,可实现前后左右方向的翻滚动作。  
或者:按下遥控器上重力感应键,然后按3D翻滚键,向某一方向翻转遥控器,也可操控无人机前后左右翻滚。

## Start Your Flight 开始飞行

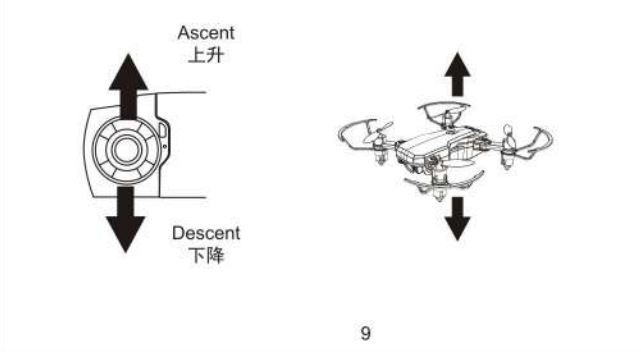
### 1. Take off and landing 起飞与降落

Take off: After calibration, short press one key start to start the rotors, then move left slider up to take off, or just long press one key ascend to fly.  
Landing: Move left slider down or short press one key descend to land.  
起飞:对频成功且校准后,短按一键启动键,无人机启动,向上滑动左操纵滑块,无人机起飞;或在校准后直接长按一键上升键,也可实现飞机起飞。  
降落:向下滑动左操纵滑块直至无人机降落;或直接短按一键下降键,也可实现飞机降落。

### 2. Basic flight 基本飞行

The left slider controls the flying altitude and direction change. The right slider controls left/right and forward/rear motion.  
左操纵滑块控制飞行高度与左右转向,右操纵滑块控制前进、后退以及左右侧飞。

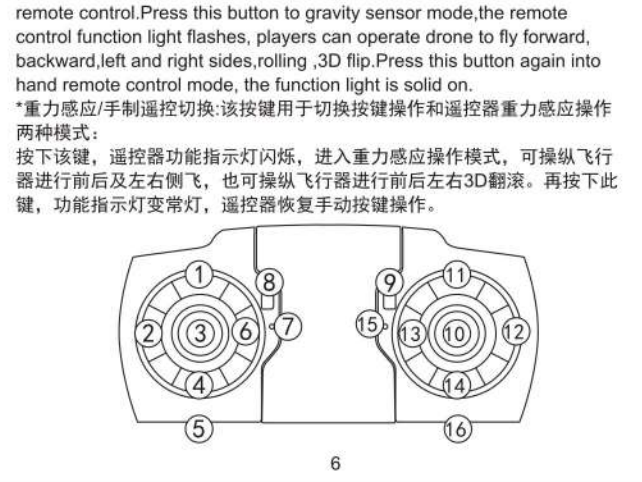
### Left Slider 左操纵滑块



- Non-rechargeable batteries are not to be recharged.
- Rechargeable batteries are to be removed from the product before being charged.
- Exhausted batteries are to be removed from the product.
- Supply terminals are not to be short-circuited.
- The battery chargers used with the toy are to be regularly examined for damage to the cord, plug, enclosure and other parts, and in the event of such damage, they must not be used until the damage has been repaired.
- 非充电电池不能充电;
- 充电电池需在从产品中取出充电;
- 耗尽的电池需从产品中移除;
- 供电端不得短路;
- 应定期对充电器的电线、插头、外壳和其他部件进行检查,如有损坏,在修复前不得使用。

## Know Your Remote Controller 认识你的遥控器

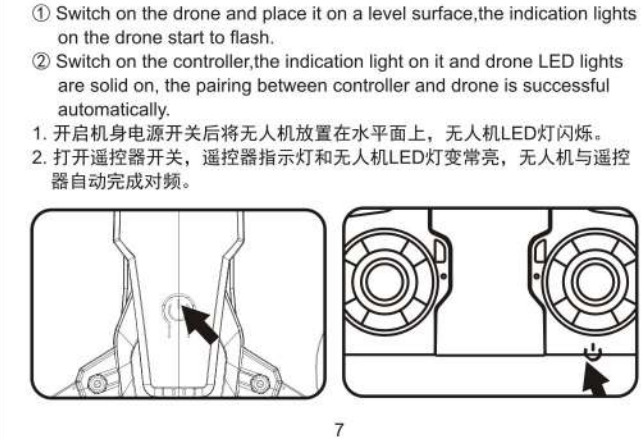
### 1. Structures of remote controller 遥控器的各部位名称



### 1. One key to start (short press) / One key ascend (long press) 短按启动/长按一键上升

- 3 speeds mode (short press) / Gyro calibration (long press) 短按三档速度/长按陀螺仪校准
- Left slider 左操纵滑块
- One key descend (short press) / Emergency stop (long press) 短按一键下降/长按急停
- Charging interface 充电插座
- Headless mode (short press) / One key return (long press) 短按无头模式/长按一键返航
- Function light blue 功能指示灯蓝色
- Gravity sensor switch\* 重力感应/手制遥控切换\*
- 3D flip 3D翻滚
- Right slider 右操纵滑块
- Forward fine tuning 前微调
- Right fine tuning 右微调
- Left fine tuning 左微调
- Backward fine tuning 后微调
- Power light red 电源灯红色
- Power switch (ON)/Charging switch (OFF) 电源开关(ON)/充电开关(OFF)

### 2. Pairing controller and drone 遥控器与无人机的对频



### 3. Controller calibration 无人机校准

Drone calibration must be used to ensure proper drone function. Long press Gyro calibration key to reset gyro. Drone must be placed on a level surface and remain stationary while calibrating.  
1. 无人机每次起飞前需进行校准,长按陀螺仪校准键可对陀螺仪归位,此时无人机电灯快速闪烁,指示灯常亮后,陀螺仪校准完成。在执行校准命令时,无人机必须在水平平行的平稳状态下执行,否则会影响校准的效果。

Note:  
① Calibration must be used before take off to ensure drone fly stably.  
② Also need to calibrate for phone WIFI APP operation. No calibration may cause the drone hard to operate.  
提示:  
1. 每次起飞前需对飞行器进行校准。  
2. 单独手机APP操控无人机时,起飞前也需要进行校准,不做校准可能会导致无人机操作困难。

### Emergency stop 一键急停

In case of an emergent situation, long press the key "stop", when there is a sound "di drone" will stop working. Please don't use this function during flying unless it is urgent and drone is uncontrollable.  
当无人机处于紧急状态时,长按一键急停键,遥控器发出“哔”声无人机将立即停止运行。非特殊情况,飞行期间禁止使用该功能,否则,可能会损坏无人机。