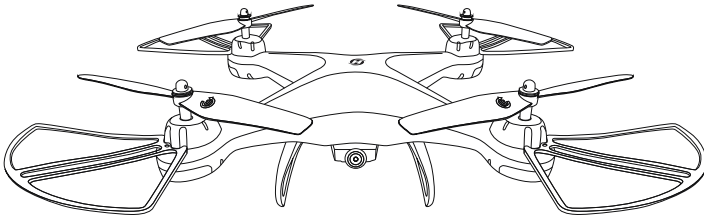




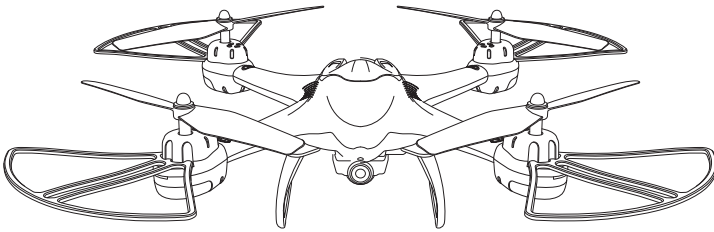
14+
age

Instructions For Use

V 1.0



HS110D (1080P)



HS200D (1080P)



usa@holystone.com (USA)
ca@holystone.com (CA)

eu@holystone.com (EU)
jp@holystone.com (JP)



+1(855) 888-6699

www.holystone.com

CONTENTS

Disclaimer & Warning	1
Safety Guidelines	1
Maintenance	5
Package Contents	6
Transmitter Functions	7
Drone's Details	8
Charge the Battery	9
Installation	
Propellers	10
Propeller Guards/Landing Gears	11
Camera/ Phone Hold	12
Drone Battery/ Transmitter Battery	13
Flight Operations	
Pair the Drone	14
Calibrate the Gyro	15
Engine Start/Landing	15
Manual Landing	16
Flight Control	16
Functions Introductions	
Emergency Stop	17
Speed Switch	17
Altitude Hold	18
360° Flip	18
Headless Mode	19
Trimmer Function	21
Drone Status Indicators	22
APP Function	23
Specification	24
Trouble Shooting	26
Contact Us	26
General Information	27

1.0 DISCLAIMER & WARNING

1. Please read this Disclaimer & Warning and Safety Guidelines carefully before using our product. This product is not recommended for people under the age of 14. By using this product, you hereby agree to this disclaimer and signify that you have read it fully. You agree that you are responsible for your own conduct and any damaged caused while using this product, and its consequences . You agree to use this product only for purposes that are proper and in accordance with local regulations, terms and all applicable polices and guidelines Holy Stone may make available.

2. When using this product, please be sure to strictly abide by the specification requirements and safety guidelines stated in this document. Any personal injury property damage, legal disputes and all other adverse events caused by the violation of the safety instructions or due to any other factor, WILL NOT be Holy Stone's responsibility.

2.0 SAFETY GUIDELINES

2.1 Check Before Use:

- ① This product is a high precision drone that integrates various electronic stability and control mechanisms. Please be sure to setup this drone carefully and correctly to ensure safe, accident-free operation.
- ② Please be sure that the batteries of the drone and transmitter are clean, undamaged and, fully charged.
- ③ Please be sure that all the propellers are undamaged and are installed in the correct orientation.

④ Please do a thorough check of the product before each use. Check for firmness of the parts, any signs of cracks and wear of the propeller, battery power and effectiveness of the indicator, etc. If after doing a complete check any issues are found, please refrain from using the product until the issue has been resolved.

2.2 Flight Environment:



+



+



Fly in Open Areas

**Maintain Line
of Sight**

**Fly Below
390 feet (120 m)**



Avoid flying over or near obstacles, crowds, high voltage power lines, trees, airport or bodies of water.

DO NOT fly near strong electromagnetic sources such as power lines and base stations as it may affect the onboard compass.



Don't use this drone in adverse weather conditions such as rain, snow, fog, and wind.

2.3 Operations Requirements :

- ① Please don't use this product to follow any moving vehicles .
- ② During the flight, only turn off the motor in case of an emergency.
- ③ Please flight the drone back to you as soon as possible when the battery is running low.
- ④ This product should not be used while drinking alcohol, if you are feeling fatigued, taking medicine, or feeling any physical discomfort.
- ⑤ Beware of the noise volume the drone produces. Keep your distance to avoid ear damage.



- ⑥ **Stay away from the rotating propellers and motors.**
- ⑦ **Don't fly in the No-Fly Zone.**

2.4 Use of Battery:

- ① Please ensure batteries are fitted in the correct orientation as shown in the instruction manual.
- ② Avoid short circuits by fitting the batteries incorrectly, and do not crush or squeeze the batteries as this could carry the risk of an explosion.
- ③ Do not mix new and old batteries as this can lead to a poor performance of the product.
- ④ Dispose used batteries carefully, do not litter.
- ⑤ Please keep dead batteries away from heat and fire.
- ⑥ If the device is not going to be used for an extended period of time, remove batteries to prevent potential damage from battery leakage.

- ⑦ It is recommended to only use the USB charging cable that comes with the drone to charge the battery.
- ⑧ Don't connect the battery directly to wall outlets or car cigarette-lighter sockets.
- ⑨ Don't attempt to disassemble or modify the battery in any way.
- ⑩ Don't use the battery if it gives off an odor, generates heat, becomes discolored or deformed, or appears abnormal in any way. If the battery is in use or being charged, remove it from the device or charger immediately and discontinue use.
- ⑪ Don't pierce the battery casing with a nail or other sharp object, break it open with a hammer, or step on it!
- ⑫ Always charge the batteries in a fireproof container and away from combustible materials. Don't charge on surfaces that can catch fire. This includes: wood, cloth, carpet, or in the application's device.
- ⑬ Don't immerse the battery in water or allow it to get wet.
- ⑭ Don't solder battery terminal directly.
- ⑮ Keep battery out of reach of children or pets.
- ⑯ Don't short-circuit the battery by connecting wires or other metal object to the positive(+) and negative(-) terminals.



Li-Po Battery Disposal & Recycling





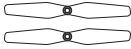

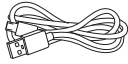

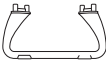

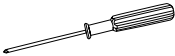
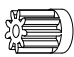


Waste Lithium-polymer batteries must not be placed with household trash. Please contact local environmental or waste agency or the waste agency or the supplier of your model or your nearest Li-Po battery recycling center.



3.0 MAINTENANCE

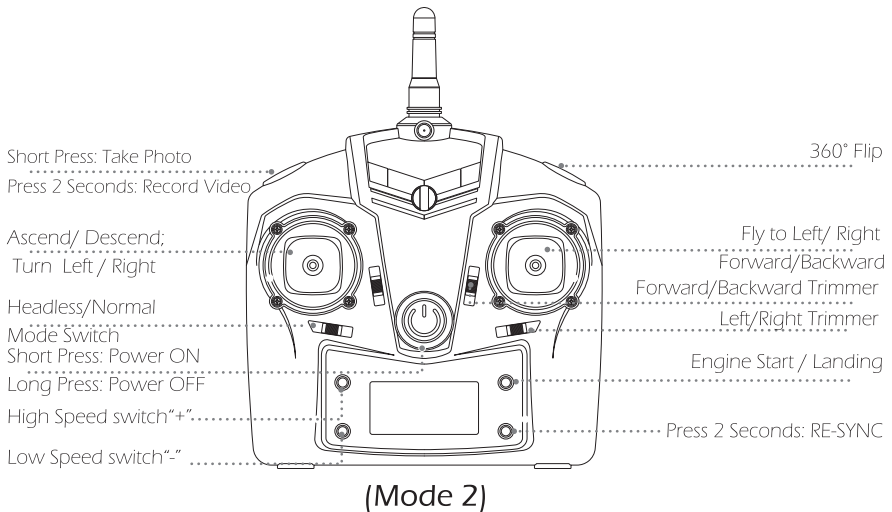
- ① Clean the product after each use with a clean, soft cloth.
- ② Avoid prolonged exposure to direct sunlight and avoid buildup of heat on the drone.
- ③ This device is not waterproof and must not be submerged in water under any circumstance. Failure to maintain the device completely dry will result in the failure of the unit.
- ④ Check the charging plug and other accessories for signs of damage frequently. If any part of the device is damaged, refrain from flying until maintenance can be carried out.

1.0 PACKAGE CONTENTS

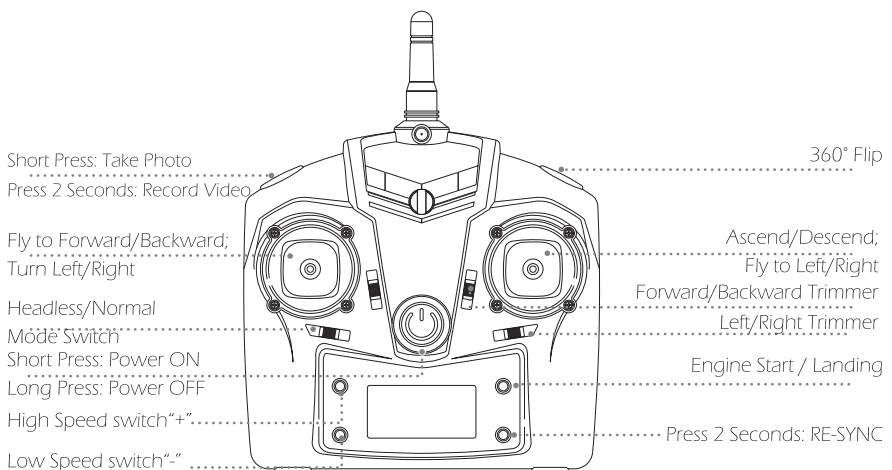
No.	Name	Pic.	Qty.
1	Drone		1
2	Transmitter		1
3	Battery <i>(on the fuselage)</i>		1
4	Screws		6
5	Propellers		4
6	Protection Guards		6
7	USB Charging Cable		1
8	Camera <i>(on the fuselage)</i>		1
9	Landing Gear		2
10	Lamp Cover		2
11	Screwdriver		1
12	Motor Gear		4
13	Phone Holder		1
14	Instructions For Use		1

2.0 TRANSMITTER FUNCTIONS

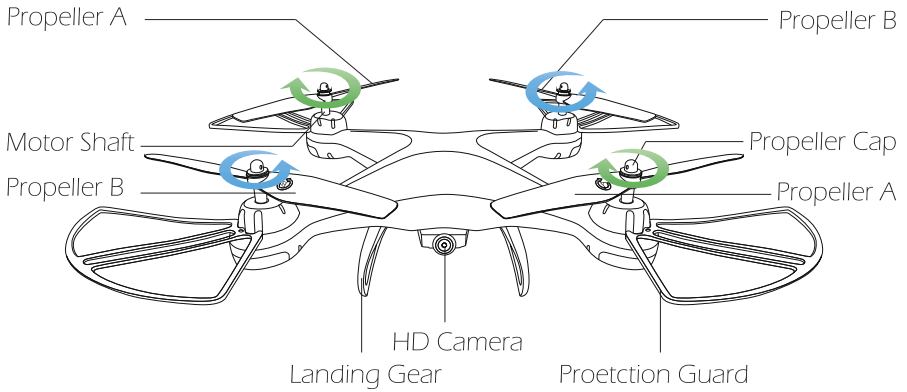
1. Power on the transmitter, Left hand throttle MODE 2 will be default setting. **(Recommended Mode!)**



2. To enter MODE 1, power on the transmitter while holding the upper left button. **(Please do not release the upper left button until the transmitter is powered on)**

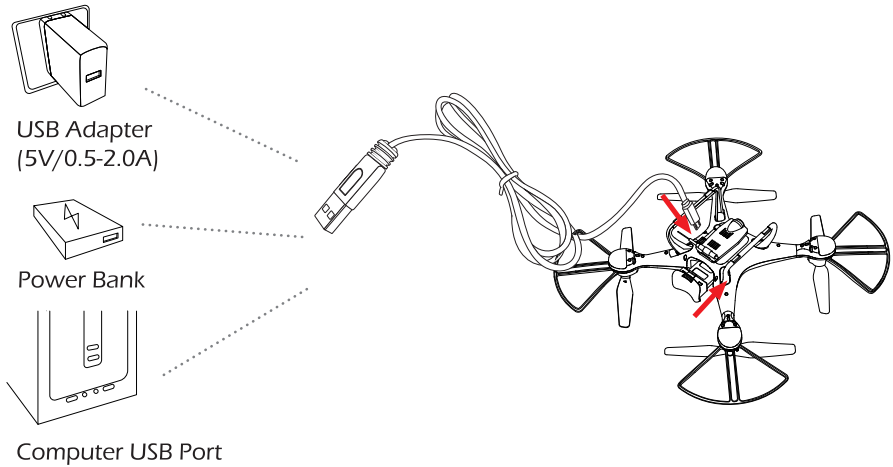


3.0 DRONE'S DETAILS



⚠ Please note that all propellers must be installed in the correct orientation. (Pay attention to the letter “A” or “B” printed on each propeller when installing.)

4.0 CHARGE THE BATTERY

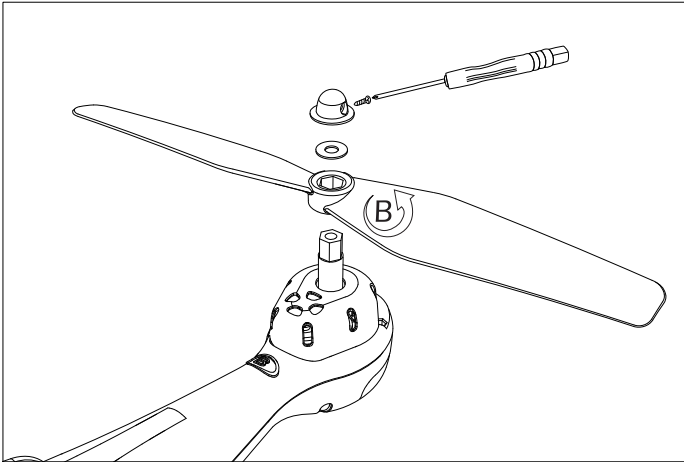


1. Make sure the battery is connected to the drone, and insert the USB charging cable into USB adapter (**5V/2A recommended**).
2. Connect the USB charging cable to the charging port on the drone. The indicator on the power switch will turn red when charging and turn off when the battery is fully charged.
3. Charging time: about 120 minutes.

⚠ To ensure a safety and optimal flying, please read the information of **“Use of Battery”** on the **“SAFETY GUIDELINES”** and charge the batteries before flight.

5.0 INSTALLATION

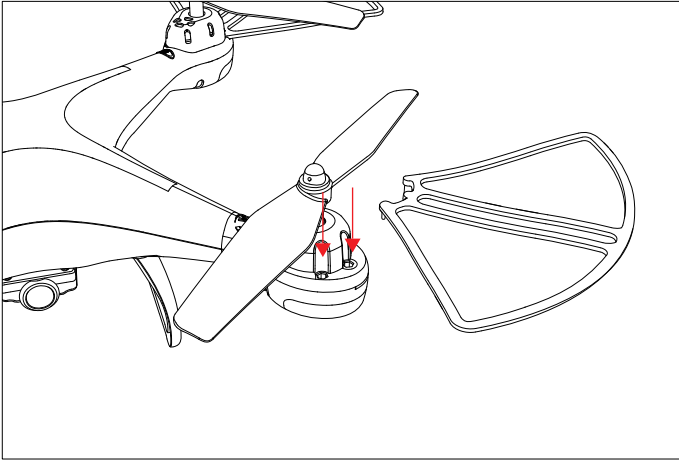
5.1 Propeller



1. Unscrew the small screw on the propeller cap.
2. Take the propeller cap , fixing ring and propeller out.
3. Attach the new propeller.
4. Attach the fixing ring, propeller cap and screw back.

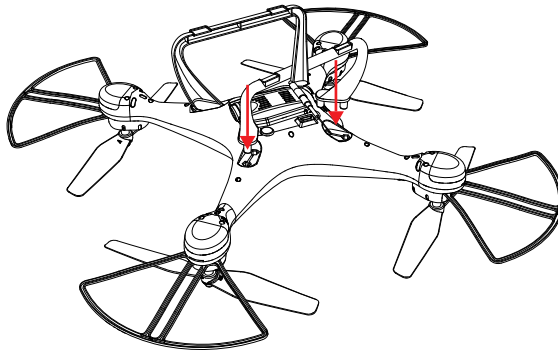
(When installing, pay attention to the letters "A" and "B" printed on the propeller, and make sure that the direction of arrow rotation above the propeller is the same as the arrow direction of rotation on the drone's wing! !)

5.2 Protection Guard



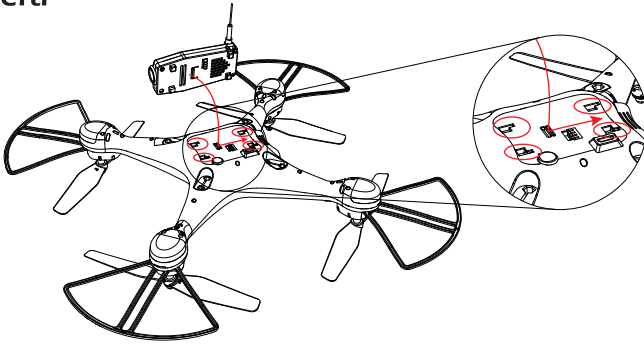
As shown in the figure above, please install the Propeller Guard on the motor base.

5.3 Landing Gear



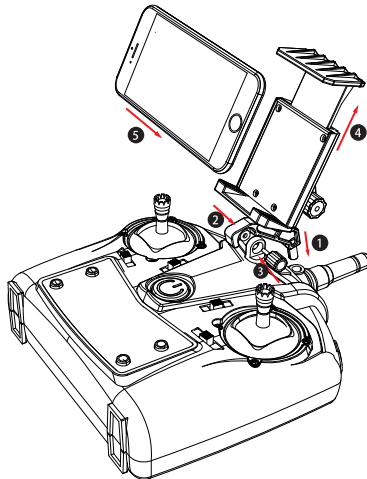
As shown in the figure above, please install the Landing Gear on the bottom of the drone.

5.4 Camera



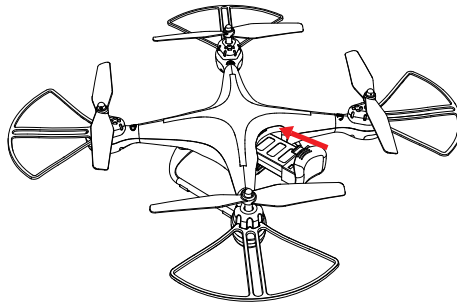
1. According to the above diagrams, please make sure that the camera is mounted on the four camera slots at the bottom of the fuselage, then pull the camera backward to lock it .
2. Push the camera forward to take it out.

5.5 Phone Holder



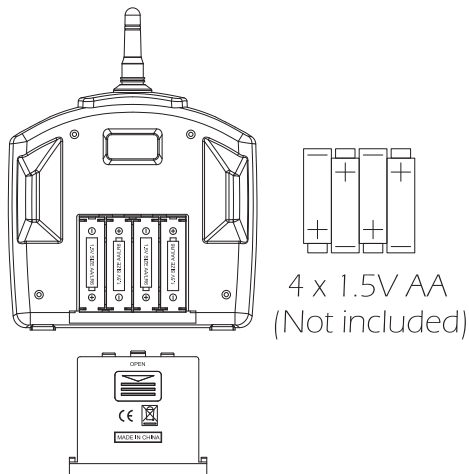
1. Install the phone holder to the transmitter and fix it with the big screw which comes with the drone.
2. Pull the phone holder up to adjust the width of the phone holder to fit the phone's size.

5.6 Drone Battery



According to the above diagrams, push the battery forward to install the battery, and pull back to take it out.

5.7 Transmitter Battery



According to the above diagrams, Install 4 x 1.5V AA batteries to the battery compartment of the transmitter.

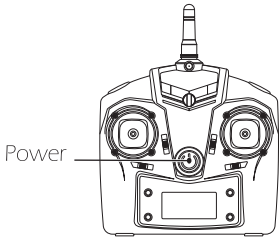
Note:

Always pay close attention to battery polarity when inserting any batteries to make sure they are fitted correctly.

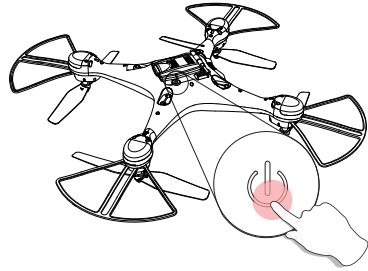
6.0 FLIGHT OPERATION

⚠ Please Note, all of the following operations are taking Mode 2 for example.

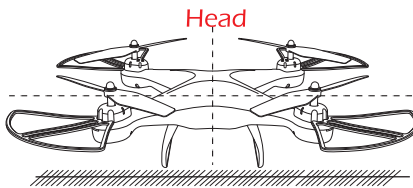
6.1 Pair the Drone



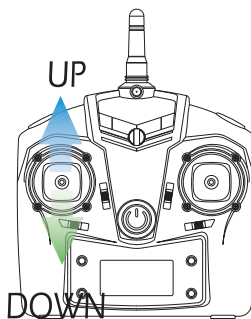
① Power on the transmitter.



② Power on the drone.

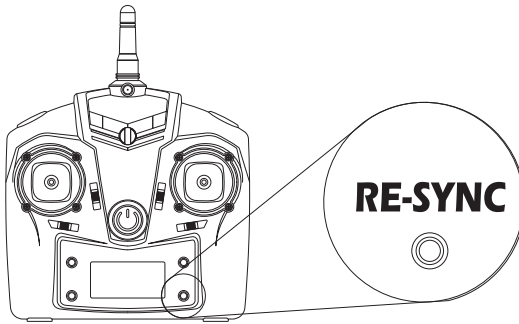


③ Place the drone on an flat and level surface with the head forward and the tail towards the pilot.



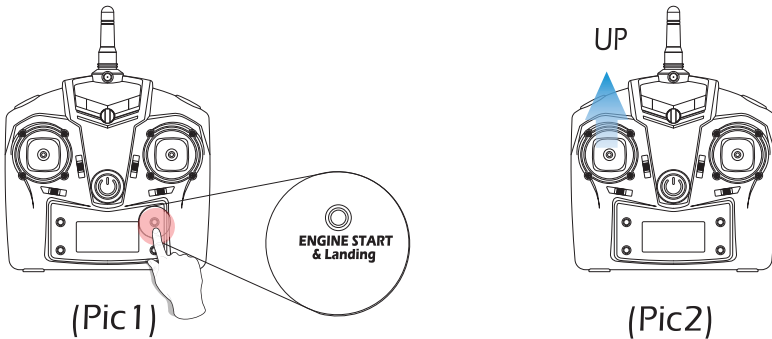
④ Push throttle joystick up then down to pair drone and transmitter. The LED indicator lights on the drone will flash slowly if the drone is paired successfully.

6.2 Calibrate the Gyro



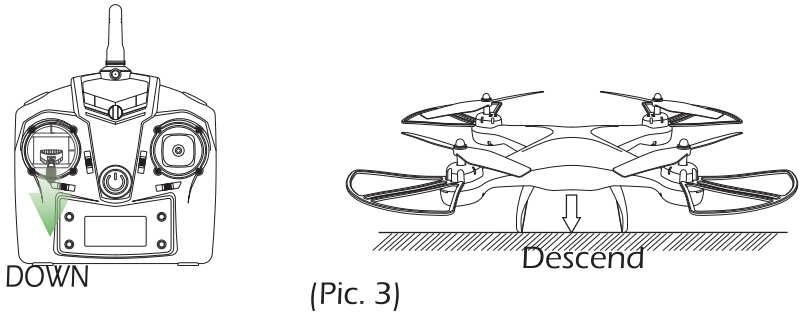
Press RE-SYNC button for 2 Seconds to calibrate the gyro of drone.

6.3 Engine Start/ Landing



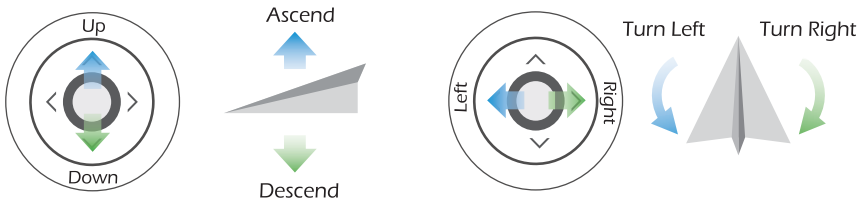
Press "Engine Start/Landing" button (Pic1), the propellers will start spinning at low speed. Push the throttle joystick up (Slowly) to take off (Pic2). If you want to make drone land, press "Engine Start/Landing" button again, the drone will land slowly by itself until it touches the ground.

6.4 Manual Landing

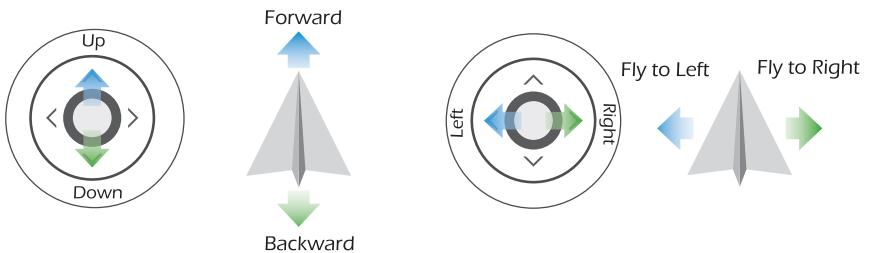


Push the throttle joystick down (**slowly**) until the drone touch the ground. Hold a few seconds to stop the motors.

6.5 Flight Control




Throttle(Left) Joystick

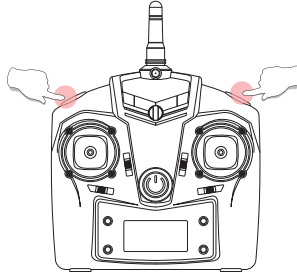


Direction(Right) Joystick

7.0 FUNCTIONS INTRODUCTION

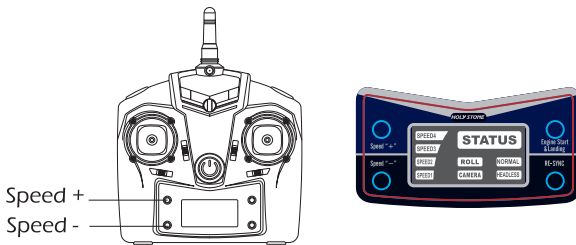
7.1 Emergency Stop

 Only stop motors mid-flight in emergency situations when doing so can reduce the risk of damage or injury.



Press the UPPER LEFT(Photo Function) and UPPER RIGHT(Flip Function) buttons at the same time, the motors will stop immediately.

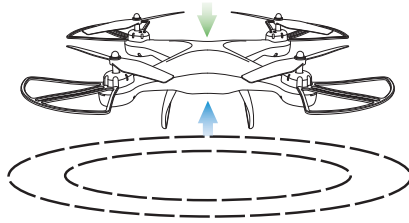
7.2 Speed Switch



This drone comes with 5 speed levels (Low/Medium/High/Expert/Racing). Press the “Speed+” or “Speed-” button on the transmitter to switch the speed. The speed status will be shown on the LED display of transmitter.

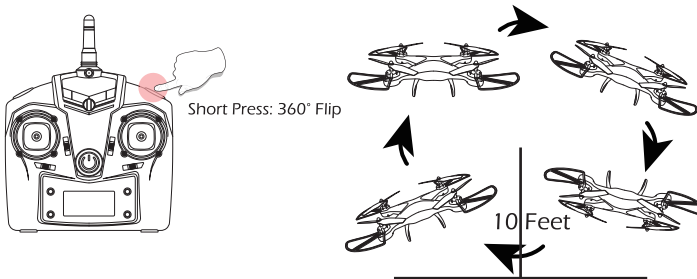
(The Medium Speed is default speed mode, and on Racing rate, the indicator light of “Speed 4” will keep flash.)

7.3 Altitude-Hold



During flight, altitude hold function allows you to release the throttle joystick, and the drone will keep hovering at the current height.

7.4 360° Flip

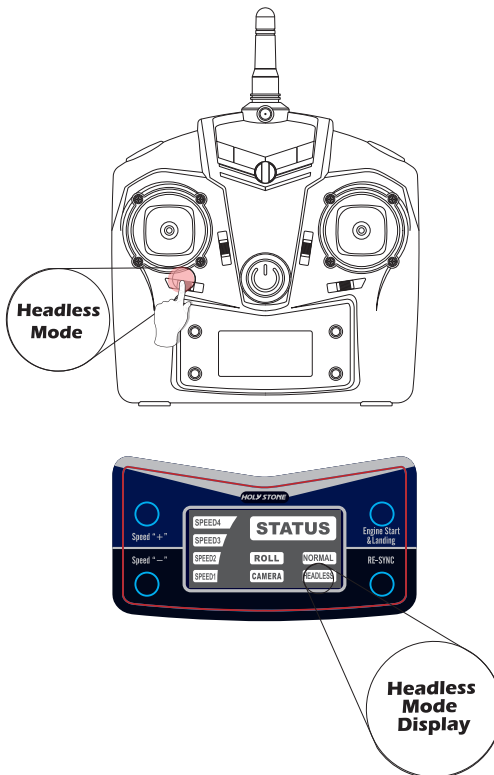


When you becoming familiar with all the functions of the drone, you can try this amazing flip mode. When you fly the drone at least 10 feet high, press the 360° flip button on the Upper Right of transmitter, then push the Right Joystick Forward/Backward or Left/Right, and the drone will do a flip towards the corresponding direction. If you are in Mode 1, push the Right Joystick Left/Right, or push the Left Joystick Forward/Backward, and the drone will do a flip towards the corresponding direction.

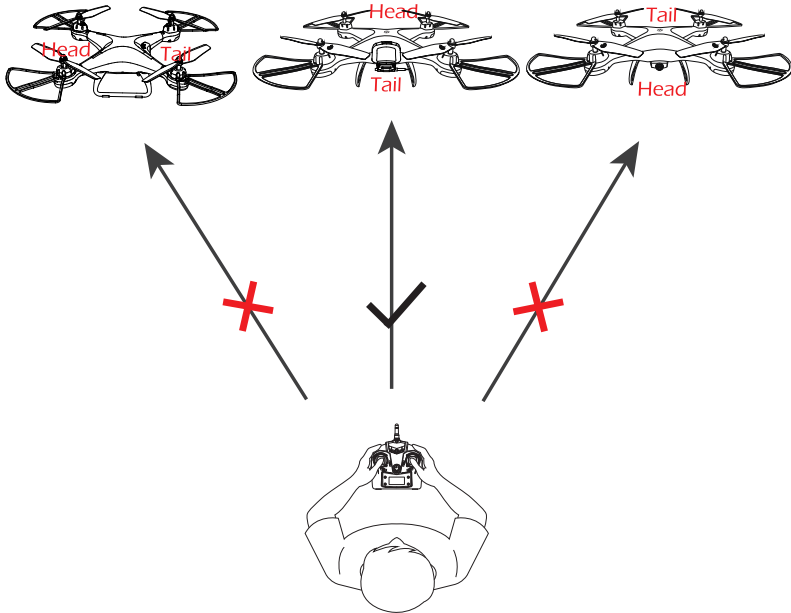
Caution: The drone will flip best when the battery is fully charged.

7.5 Headless Mode

⚠ Do not use the Headless Mode until you totally comprehend the instruction for use. Flying in Headless Mode without sufficient experience might result in loss or damage of the device.



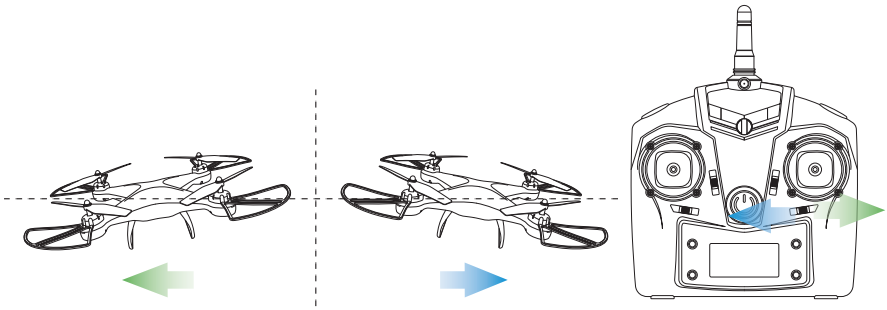
1. Press the Headless Mode button on the transmitter to enter Headless Mode, the "HEADLESS" mode status indicator lights on the transmitter will light up.
2. Press the Headless Mode button again to exit Headless Mode, and the "NORMAL" mode status indicator light on the transmitter will light up.



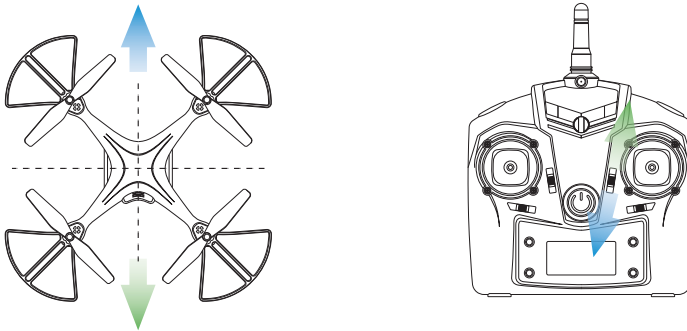
Please make sure the pilot to stay in the same orientation
as the drone head faces when the drone takes off.

Under Headless Mode, the forward direction is the direction that the head of drone faces when the drone takes off. In order to make sure the pilot can tell drone's direction, we recommend that pilots to stay in the same orientation as the drone head faces when the drone takes off. If so, when the pilot pushes the direction joystick forward, the drone will fly forward. If the pilot pushes the direction joystick backward, the drone will fly towards him/her. If the pilot move the right stick left /right, the drone will move left/right relative to you. It is very important that the pilot stay in the same orientation as the drone head faces when the drone takes off.

7.6 Trimmer Function

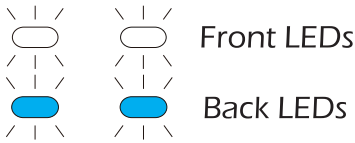


① **L/R Sideward Fly Trim:** When the drone drift to the left or the right side, slide the trim button to the opposite direction to re-balance the drone.



② **F/B Sideward Fly Trim :** When the drone drift to forward or backward, slide the trim button to the opposite direction to re-balance the drone.

7.7 Drone Status Indicators

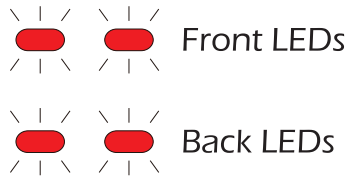


(Ready to Fly)

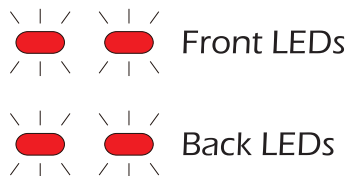


(Flying)

① Fully charge the battery of the drone and pair the drone to the transmitter, the Back LED Indicators will turn Blue and the Front LED Indicators will turn white. When the four Breath Lights are on, it means that the drone is ready to fly. When flying, the Front White LED Lights will stay solid and the Back LED lights will blink constantly.



② When the drone starts running low on battery, the four indicators on the drone will turn red and blink SLOWLY. This means you should fly the drone back and land it to charge the drone's battery.



③ When the drone doesn't fly and the four red indicators blink QUICKLY, it means the drone is in a critical error state and needs to be paired again.

8.0 APP FUNCTION

8.1 Download the APP



iOS



Google Play

Scan the QR code, connect to the App Store™ or Google™ Play and download the “**HSS2 FPV**” application for free.

8.2 Wi-Fi Connection

Connect your smart phone to the Wi-Fi of the Drone and check the drone’s status on the “**HSS2 FPV**” App.

- ① On your smart phone, launch a search of the available Wi-Fi networks.
- ② Select the Wi-Fi network: **HolyStoneFPV_*******.
- ③ Wait for your smart phone to connect Wi-Fi network of the drone.

This connection is generally represented by the Wi-Fi logo appearing on your smart phone’s screen.

- ④ Enter the “**HSS2 FPV**” application.

> The connection between your smart phone and the drone is established automatically.

9.0 SPECIFICATION

Drone

Model: HS110D/HS200D

Weight: 149g / 5.3oz

Max Flight Time: 10 mins

Motor Model: 8616

Hovering: Enabled

Operating Temperature Range: 32° to 104°F (0° to 40°C)

Dimensions: 322 x 322 x 91 mm

TRANSMITTER

Operating Frequency: 2.4 GHz

Max Transmission Distance: 150 m (outdoors and unobstructed)

Operating Temperature Range: 32° to 104°F (0° to 40°C)

Battery: 4×1.5V AA batteries (Not Included)

Mobile Device Holder: Smart phones

FLIGHT BATTERY

Capacity: 1000 mAh

Voltage: 3.7 V

Battery Type: Li-Po

Energy: 3.70 Wh

Charging Temperature Range: 41° to 104°F (5° to 40°C)

Charging Time: 120 mins

APP / LIVE VIEW

Mobile App: HSS2 FPV

Live View Working Frequency: 2.4 GHz ISM

Live View Quality: 1080P @ 20fps

Latency: Low Latency Video (depend on conditions and mobile device)

WIFI Distance: 100 m (outdoor and unobstructed)

Required Operating Systems: iOS 7.0 or later / Android 4.4 or later

CAMERA

Lens: FOV 120° f/2.0

Still Photography Modes : Single Shot

Video/Photo Resolution: HD 1920×1080P (stored in TF card)

HD 1280×720P (stored on mobile phone)

Max Video Bitrate: 25 Mbps

Supported File Systems: FAT32

Photo: JPEG

Video: AVI /MP4

Operating Temperature Range: 32° to 104°F (0° to 40°C)

USB CHARGING CABLE

Voltage: 5 V

Rated Power: ≤10 W

10.0 TROUBLE SHOOTING

THE PROBLEM	REASON	SOLUTION
The indicator lights on the drone are blinking and the drone does not respond to the transmitter.	1. Communication between the drone and transmitter is bad. 2. Battery power is low.	1. Place the drone on a level surface and pair the drone again. 2. Charge the battery.
The propellers spin but the drone is unable to take off.	1. The propellers are assembled in wrong orientation. 2. The propellers are distorted.	1. Replace the propellers according to the instruction on page 9. 2. Replace the propellers.
The drone shakes hardly.	The propellers are distorted.	Replace the propellers.
The trim buttons fail to keep the drone balanced.	1. The propellers are distorted. 2. Motors doesn't work properly.	1. Replace the propellers. 2. Replace the motor.
The drone becomes out of control after crashes.	Gyro sensor loses its balance after crashing.	Recalibrate the gyro.

11.0 CONTACT US

Please do not hesitate to contact us if you need further support.



usa@holystone.com (USA) eu@holystone.com (EU)
ca@holystone.com (CA) jp@holystone.com (JP)



+1(855) 888-6699

12.0 GENERAL INFORMATION

FCC Notice:

This device complies with Part 15 of the FCC Rules.

Operation is subject to the following two conditions:

- (1) This device may not cause harmful interference.
- (2) This device must accept any interference received, including interference that may cause undesired operation.

NOTE: This equipment has been tested and found to comply with the limits for a Class B digital device, pursuant to Part 15 of the FCC Rules. These limits are designed to provide reasonable protection against harmful interference in a residential installation. This equipment generates uses and can radiate radio frequency energy and, if not installed and used in accordance with the instructions, may cause harmful interference to radio communications. However, there is no guarantee that interference will not occur in a particular installation. If this equipment does cause harmful interference to radio or television reception, which can be determined by turning the equipment off and on, the user is encouraged to try to correct the interference by one or more of the following measures:

- Reorient or relocate the receiving antenna.
- Increase the separation between the equipment and receiver.
- Connect the equipment into an outlet on a circuit different from that to which the receiver is connected.
- Consult the dealer or an experienced radio/TV technician for help.

WARNING: Changes or modifications not expressly approved by the party responsible for compliance could void the user's authority to operate the equipment.

RF Exposure

The equipment complies with FCC radiation exposure limits set forth for an uncontrolled environment. This device should be installed and operated with minimum distance 20cm between the radiator & your body.

IC Notice:

This device complies with Canada Industry licence-exempt RSS standard(s).

Operation is subject to the following two conditions:

- (1) this device may not cause interference; and
- (2) this device must accept any interference. Including interference that may cause undesired operation of the device.

CAN ICES-3 (B)

Avis d'Industrie Canada

Le présent appareil est conforme aux CNR d'industrie Canada applicables aux appareils radio exem pts de licence L'exploitation est autorisée aux deux conditions suivantes:

- 1) l'appareil ne doit pas produire de brouillage; et
- 2) l'utilisateur de l'appareil doit accepter brouillage radioélectrique subi même si le brouillage est susceptible d'encompromettre le fonctionnement mauvais fonctionnement de l'appareil. Cet appareil numérique de la classe B est conforme à la norme NMB-003 du Canada.

CAN NMB-3 (B)

RF Exposure

Radiation Exposure Statement:

This equipment complies with IC radiation exposure limits set forth for an uncontrolled environment. This equipment should be installed and operated with minimum distance 20cm between the radiator & your body.

Déclaration d'exposition aux radiations:

Cet équipement est conforme aux limites d'exposition aux rayonnements IC établies pour un environnement non contrôlé. Cet équipement doit être installé et utilisé avec un minimum de 20 cm de distance entre la source de rayonnement et votre corps.

HOW TO RECYCLE THIS PRODUCT

This symbol on the product or its documentation indicates that it must not be disposed of with household waste.

Uncontrolled waste disposal may harm the environment or human health.


Please separate your device from other types of waste to recycle it responsibly. This will help to foster the sustainable re-use of material resources.

We invite you to contact your retailer or inquire at your local town hall to find out where and how the drone can be recycled.



BATTERY WARNING:

- 1.Failure to follow all the instructions may result in serious injury, irreparable damage to the battery and may cause a fire, smoke or explosion.
 - 2.Always check the battery's condition before charging or using it.
 - 3.Replace the battery if it has been dropped, or in case of odour, overheating, discolouration, deformation or leakage.
 - 4.Never use anything other than the approval LiPo charger the battery. Always use a balancing charger for LiPo cells or a LiPo cell balancer. It is recommended that you do not to use any other charger than the one provided with the product.
 - 5.The battery temperature must never exceed 60°C(140°F) otherwise the battery could be damaged or ignite.
 - 6.Never charge on a flammable surface, near flammable products or inside a vehicle (preferably place the battery in a non-flammable and non-conductive container).
 - 7.Never leave the battery unattended during the charging process.
- Never disassemble or modify the housing's wiring, or puncture the cells. Always ensure that the charger output voltage corresponds to the voltage of the battery. Do not short circuit the batteries.
8. Never expose the LiPo battery to moisture or direct sunlight, or store it in a place where temperatures could exceed 60°C(car in the sun, for example).
 - 9.Always keep it out of reach of children.
 - 10.Improper battery use may result in a fire, explosion or other hazard.
 - 11.Non-rechargeable batteries are not to be recharged. Rechargeable batteries are only to be charged under adult supervision.

12. Different types of batteries or new and used batteries are not to be mixed.
13. Batteries are to be inserted with the correct polarity.
14. The supply terminals are not to be short-circuited. Regular examination of transformer or battery charger for any damage to their cord, plug, enclosure and other parts and they must not be used until the damage has been repaired.
15. The packaging has to be kept since it contains important information.
16. The toy is only to be connected to Class II equipment bearing the symbol. 

EU RF Power(EIRP): -22.75dBm(2404MHz ~ 2480MHz)

Caution

1. The max operating of the EUT is 45°C. and shouldn't be lower than -10°C.
2. The device complies with RF specifications when the device used at 0mm from your body.
3. Declaration of Conformity

We, Xiamen Huoshiquan Import & Export CO., LTD hereby, declare that the essential requirements compliance with the Directive 2014/53/EU, the RoHS Directive 2011/65/EU and Safety Directive 2009/48/EC have been fully fulfilled on our product with indication below:

Product Name: Remote control four axis series

Model : HS1 10D/HS200D

The Statement of compliance is available at the following address:

http://www.holystone.com/Download/CE/HS1 10D_HS200D_EU_DOC.pdf

This product can be used across EU member states.

MANUFACTURER INFORMATION

Manufactured by

Xiamen Huoshiquan Import & Export CO., LTD

Room 703, No. 813-2 Xiahe Road, Siming District, XIAMEN, China

+1 (855) 888-6699

