

AGRAS T30/T10

DISCLAIMER AND SAFETY GUIDELINES

免責事項と安全に関するガイドライン

การปฏิเสธความรับผิดชอบและแนวทางการความปลอดภัย

TỪ CHỐI VÀ HƯỚNG DẪN AN TOÀN

HAFTUNGSAUSSCHLUSS UND SICHERHEITSHINWEISE

RENUNCIA DE RESPONSABILIDAD E INSTRUCCIONES DE SEGURIDAD

AVIS DE NON-RESPONSABILIT ET INSTRUCTIONS DE SECURIT

ISEN O DE RESPONSABILIDADE E INSTRU ES DE SEGURAN A

v1.0 2021.04



Contents

EN	DISCLAIMER AND SAFETY GUIDELINES	2
JP	免責事項と安全に関するガイドライン	11
TH	การปฏิเสธความรับผิดชอบและแนวทางการความปลอดภัย	20
VI	TỪ CHỐI VÀ HƯỚNG DẪN AN TOÀN	28
DE	HAFTUNGS AUSSCHLUSS UND SICHERHEITSHINWEISE	37
ES	RENUNCIA DE RESPONSABILIDAD E INSTRUCCIONES DE SEGURIDAD	47
FR	AVIS DE NON-RESPONSABILIT ET INSTRUCTIONS DE S CURIT	57
PT-BR	ISEN O DE RESPONSABILIDADE E INSTRU ES DE SEGURAN A	67
	COMPLIANCE INFORMATION	77

Safety at a Glance

EN

⚠ The AGRAS™ T30/T10 aircraft is not a toy and is not suitable for children under the age of 18.

Note that the Safety at a Glance section only provides a quick overview of the safety tips. Make sure you read and understand this document and the AGRAS T30/T10 User Manual.

1. Pesticide Usage

- Avoid the use of **powder pesticides** as much as possible as they may reduce the service life of the spraying system.
- **Pesticides are poisonous and pose serious risks to safety. Only use them in strict accordance with their specifications.**
- Residue on the equipment caused by splashes or spills **when pouring and mixing the pesticide can irritate your skin.** Make sure to clean the equipment after mixing.
- Use **clean water** to mix the pesticide and filter the mixed liquid before pouring into the spray tank to **avoid blocking** the strainer. **Clear any blockage** before using the equipment.
- Make sure to **stay in an upwind area** when spraying pesticide to avoid bodily harm.
- Wear **protective clothing** to prevent direct body contact with the pesticide. **Rinse your hands and skin** after handling pesticides. **Clean the aircraft and remote controller** after applying the pesticide.
- Effective use of pesticides depends on **pesticide density, spray rate, spray distance, aircraft speed, wind speed, wind direction, temperature, and humidity.** Consider all factors when using pesticides, but DO NOT compromise the safety of people, animals, or the environment in doing so.
- **DO NOT contaminate** rivers and sources of drinking water.
- Disposal of surplus spray: Planning the spray operation helps to ensure only enough pesticide for the area to be treated is purchased and the amount of surplus spray solution is kept to a minimum. It is recommended that any surplus spray or washing liquid in the tank be applied to the crops. Users may also consider installing a pipeline to handle the disposal of the washing liquid in the tank.
- DO NOT use strong acids, strong bases, high-temperature liquids, or pesticides that are explicitly prohibited.

2. Environmental Considerations

- Fly at locations that are **clear of buildings and other obstacles. DO NOT fly above or near large crowds.**
- DO NOT fly over **4.5 km (14,763 ft) above sea level.**
- Only fly in moderate weather conditions with temperatures **between 0° and 45° C (32° and 113° F).**
- Make sure that your operations do not violate any applicable laws or regulations, and that you have obtained all appropriate prior authorizations. Consult the relevant government agency or authority, or your lawyer before flight to ensure you comply with all relevant laws and regulations.
- **DO NOT operate any part of the aircraft indoors.**

3. Pre-Flight Checklist

Make sure to check all of the following:

- Remote controller and aircraft batteries are **fully charged.**
- All parts are in **good condition.** Replace aged or broken parts before flight.
- **Landing gear and spray tank** are firmly in place.
- **Propellers and frame arms are unfolded and arm locks are firmly tightened.** Propellers are in **good condition and firmly tightened.** There is **nothing obstructing the motors and propellers.**
- There is nothing obstructing the position on the aircraft shell where the upward radar is located underneath.
- **Spraying system is not blocked** and works properly.
- **Compass is calibrated** after being prompted to do so in the app.

4. Ingress Protection Rating Description

When functioning normally, the aircraft is waterproof, dustproof, and corrosion resistant. Under stable laboratory conditions, the aircraft (Intelligent Flight Battery excluded) has a protection rating of IP67 (IEC 60529) and can be cleaned using a small amount of water. However, this protection rating is not permanent and may reduce over time after long-term use due to aging and wear. The product warranty does not cover water damage.

The protection ratings of the aircraft mentioned above may decrease in the following scenarios:

- There is a collision and the seal structure is deformed.
- The seal structure of the shell is cracked or damaged.
- The waterproof covers are not properly secured.

5. Operation

- **Stay away** from the **rotating propellers** and motors.
- Make sure to fly **within the specified max takeoff weight** to avoid potential safety risks.
- The DJI Agras app will intelligently recommend the payload weight limit for the tank according to the current status and surroundings of the aircraft. **Do not exceed the recommended payload weight limit** when adding material to the tank. Otherwise, the flight safety may be affected.
- Maintain a visual line of sight (VLOS) of your aircraft at all times.
- DO NOT use the Combination Stick Command (CSC) or other methods to **stop the motors** when the aircraft is airborne unless in an emergency situation.
- DO NOT answer incoming calls during flight. DO NOT fly under the influence of **alcohol or drugs.**
- If there is a **low battery warning, land the aircraft at a safe location.**
- If the **radar module is unable to work properly in the operating environment,** the aircraft will be **unable to avoid obstacles during Return to Home (RTH).** All that can be adjusted is the **flight speed and altitude,** as long as the remote controller is still connected.
- After landing, stop the motors, **power off the aircraft, and turn off the remote controller.** Otherwise, the aircraft may enter Failsafe RTH automatically due to remote controller signal loss.
- **Maintain full control of the aircraft at all times and do not rely on the DJI Agras app.** The obstacle avoidance function is disabled in certain situations. Keep the aircraft within VLOS and pay close attention to its flight. Use your discretion to operate the aircraft and manually avoid obstacles in a timely manner. It is important to set an appropriate Failsafe and RTH altitude before each flight.

6. Maintenance and Upkeep

- DO NOT use aged, chipped, or broken propellers.
- To avoid damaging the landing gear, **remove or empty the spray tank** during transportation or when not in use.
- Recommended storage temperature (when the spray tank, flow meter, pumps, and hoses are empty): **between -20° and 40° C (-4° and 104° F).**
- Clean the aircraft immediately after spraying. Inspect the aircraft regularly. Refer to the Product Care section for more information about maintenance guidelines.

7. Observe Local Laws and Regulations

- You can find a list of DJI™ GEO zones at <http://www.dji.com/flysafe>. Note that the DJI GEO zones are not a replacement for local government regulations or good judgment.
- **Avoid flying at altitudes above 100 m (328 ft).***

* The flying altitude limit varies in different countries or regions. Make sure to fly at the altitudes outlined by local laws and regulations.



Fly in Open Areas

+



Strong GNSS Signal

+

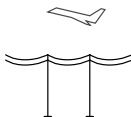


VLOS

+



Fly Below 100 m (328 ft)

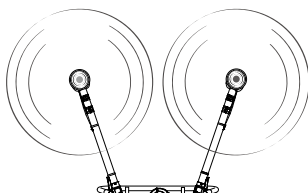


Avoid flying over or near crowds, high voltage power lines, or bodies of water.

Strong electromagnetic sources such as **power lines, base stations, and tall buildings** may affect the onboard compass.



DO NOT use the aircraft in adverse weather conditions such as winds exceeding 28 kph (17 mph), heavy rain (precipitation rate exceeding 25 mm (0.98 in) in 12 hours), fog, snow, lightning, tornadoes, or hurricanes.



Stay away from rotating propellers and motors.



GEO Zones

Learn more at:
<http://www.dji.com/flysafe>

Notice

All instructions and other collateral documents are subject to change at the sole discretion of SZ DJI TECHNOLOGY CO., LTD. For up-to-date product information, visit <http://www.dji.com> and click on the product page.

Glossary

The following terms are used throughout the product literature to indicate various levels of potential harm when operating this product:

NOTICE Procedures, which if not properly followed, create a possibility of physical property damage and possibility of injury.

CAUTION Procedures, which if not properly followed, create the probability of physical property damage and possibility of serious injury.

WARNING Procedures, which if not properly followed, create the probability of property damage, collateral damage, and serious injury or create a high probability of serious injury.



WARNING

Read the entire user manual to become familiar with the features of this product before operating.

Failure to operate this product in a safe and responsible manner can result in damage to the product or personal property and cause serious injury. This is a sophisticated product. It must be operated with caution and common sense and requires some basic mechanical ability. This product is not intended for use by children. Do not use with incompatible components or alter this product in any way outside of the documents provided by SZ DJI TECHNOLOGY CO., LTD. These safety guidelines contain instructions for safety, operation, and maintenance. It is essential to read and follow all of the instructions and warnings in the user manual, prior to assembly, setup or use, in order to operate the product correctly and avoid damage or serious injury.

Pre-Flight Checklist

Make sure to check all of the following:

1. Only use genuine parts in good condition.
2. Remote controller and aircraft batteries are fully charged. If using an external Intelligent Battery, it is still necessary to make sure that the internal battery has some power. Otherwise, the remote controller cannot be powered on.
3. Propellers are in good condition and mounted onto the motors correctly and securely.
4. Propellers and frame arms are unfolded and arm locks are firmly tightened.
5. Motors are mounted securely and start and function normally.
6. Landing gear, spray tank, and Intelligent Flight Battery are firmly in place.
7. All parts are mounted securely, and cables are connected correctly and firmly.
8. There is nothing obstructing the D-RTK™ antennas, Ocusync™ antennas, or the position on the aircraft shell where the upward radar is located underneath.
9. The aircraft firmware and DJI Agras app have been updated to the latest versions.
10. Your flight area is outside any GEO zones and flight conditions are suitable for flying the aircraft.
11. Make sure that you are not flying under the influence of alcohol, drugs, or any substance that may impair your cognitive abilities.
12. Be familiar with the selected flight mode and understand all safety functions and warnings.
13. Be sure to observe all local regulations, obtain appropriate authorizations, and understand the risks. It is solely your responsibility to comply with all flight regulations.
14. The DJI Agras app is properly launched to assist your operation of the aircraft. Without the flight data recorded by the DJI Agras app and stored in your remote controller, in certain situations such as the loss of your aircraft, DJI may not be able to provide aftersales support or assume liability.

Disclaimer and Warnings

This product is NOT a toy and is not suitable for children under the age of 18. Adults should keep the aircraft out of reach of children and DO NOT operate this aircraft in the presence of children.

Inappropriate use of the product could result in personal injury or property damage. Read the materials associated with the product before using the product for the first time. These documents are included in the product package and are also available online on the DJI product page at <http://www.dji.com>.

This product is a multirotor flying platform intended for agricultural applications in farming, woodland, and orchards only. It offers easy flight when in good working order as set forth below. Visit <http://www.dji.com> for the most current instructions and warnings and <https://www.dji.com/flysafe> for more information about flight safety and compliance.

The information in this document affects your safety and your legal rights and responsibilities. Read this entire document carefully to ensure proper configuration before use. Failure to read and follow the instructions and warnings in this document may result in product loss, serious injury to you, or damage to your aircraft.

By using this product, you hereby signify that you have read this disclaimer and the user manual carefully and that you understand and agree to abide by the terms and conditions herein. EXCEPT AS EXPRESSLY PROVIDED IN DJI AFTERSALES SERVICE POLICIES AVAILABLE AT ([HTTP://WWW.DJI.COM/SERVICE](http://www.dji.com/service)), THE PRODUCT AND ALL MATERIALS, AND CONTENT AVAILABLE THROUGH THE PRODUCT ARE PROVIDED "AS IS" AND ON AN "AS AVAILABLE" BASIS, WITHOUT WARRANTY OR CONDITION OF ANY KIND, EITHER EXPRESS OR IMPLIED. DJI DISCLAIMS ALL WARRANTIES OF ANY KIND, EXCEPT AS EXPRESSLY PROVIDED IN DJI AFTERSALES SERVICE POLICIES, WHETHER EXPRESS OR IMPLIED, RELATING TO THE PRODUCT, PRODUCT ACCESSORIES, AND ALL MATERIALS, INCLUDING: (A) ANY IMPLIED WARRANTY OF MERCHANTABILITY, FITNESS FOR A PARTICULAR PURPOSE, TITLE, QUIET ENJOYMENT, OR NON-INFRINGEMENT; AND (B) ANY WARRANTY ARISING OUT OF COURSE OF DEALING, USAGE, OR TRADE. DJI DOES NOT WARRANT, EXCEPT AS EXPRESSLY PROVIDED IN DJI LIMITED WARRANTY, THAT THE PRODUCT, PRODUCT ACCESSORIES, OR ANY PORTION OF THE PRODUCT, OR ANY MATERIALS, WILL BE UNINTERRUPTED, SECURE, OR FREE OF ERRORS, VIRUSES, OR OTHER HARMFUL COMPONENTS, AND DO NOT WARRANT THAT ANY OF THOSE ISSUES WILL BE CORRECTED.

NO ADVICE OR INFORMATION, WHETHER ORAL OR WRITTEN, OBTAINED BY YOU FROM THE PRODUCT, PRODUCT ACCESSORIES, OR ANY MATERIALS WILL CREATE ANY WARRANTY REGARDING DJI OR THE PRODUCT THAT IS NOT EXPRESSLY STATED IN THESE TERMS. YOU ASSUME ALL RISKS FOR ANY DAMAGE THAT MAY RESULT FROM YOUR USE OF OR ACCESS TO THE PRODUCT, PRODUCT ACCESSORIES, AND ANY MATERIALS. YOU UNDERSTAND AND AGREE THAT YOU USE THE PRODUCT AT YOUR OWN DISCRETION AND RISK, AND THAT YOU ARE SOLELY RESPONSIBLE FOR ANY PERSONAL INJURY, DEATH, DAMAGE TO YOUR PROPERTY (INCLUDING YOUR COMPUTER SYSTEM OR MOBILE DEVICE OR DJI HARDWARE USED IN CONNECTION WITH THE PRODUCT) OR THIRD PARTY PROPERTY, OR THE LOSS OF DATA THAT RESULTS FROM YOUR USE OF OR INABILITY TO USE THE PRODUCT. SOME JURISDICTIONS MAY PROHIBIT A DISCLAIMER OF WARRANTIES AND YOU MAY HAVE OTHER RIGHTS THAT VARY FROM JURISDICTION TO JURISDICTION.

DJI is a trademark of SZ DJI TECHNOLOGY CO., LTD. and its affiliated companies. Names of products, brands, etc., appearing in this document are trademarks or registered trademarks of their respective owner companies.

Limitation of Liability

IN NO EVENT WILL THE DJI ENTITIES BE LIABLE TO YOU FOR ANY INDIRECT, INCIDENTAL, SPECIAL, CONSEQUENTIAL OR PUNITIVE DAMAGES (INCLUDING DAMAGES FOR LOSS OF PROFITS, GOODWILL, OR ANY OTHER INTANGIBLE LOSS) ARISING OUT OF OR RELATING TO YOUR ACCESS TO OR USE OF, OR YOUR INABILITY TO ACCESS OR USE, THE PRODUCT, PRODUCT ACCESSORIES, OR ANY MATERIALS, FLIGHT ENVIRONMENT DATA, WHETHER BASED ON WARRANTY, CONTRACT, TORT

(INCLUDING NEGLIGENCE), STATUTE, OR ANY OTHER LEGAL THEORY, AND WHETHER OR NOT ANY DJI ENTITY HAS BEEN INFORMED OF THE POSSIBILITY OF DAMAGE.

EXCEPT AS OTHERWISE AGREED UPON BETWEEN YOU AND DJI, THE AGGREGATE LIABILITY OF THE DJI ENTITIES TO YOU FOR ALL CLAIMS ARISING OUT OF OR RELATING TO THE USE OF OR ANY INABILITY TO USE ANY PORTION OF THE PRODUCT OR OTHERWISE UNDER THESE TERMS, WHETHER IN CONTRACT, TORT, OR OTHERWISE, IS LIMITED TO \$100.

Data Storage and Usage

When you use our mobile apps or our products or other software, you may provide DJI with data regarding the use and operation of the product, such as flight telemetry data (e.g., speed, altitude, battery life, and information about the gimbal and camera) and operations record. Refer to DJI Privacy Policy (available at dji.com/policy) for more information.

DJI reserves the right to update this disclaimer and safety guidelines. Visit <http://www.dji.com> periodically for the latest version. This disclaimer is available in various languages. In the event of divergence among different versions, the English version shall prevail.

Before You Begin

The following documents have been produced to help you safely operate and make full use of your aircraft:

1. In the Box
2. Disclaimer and Safety Guidelines
3. Quick Start Guide
4. User Manual

Check all of the included parts listed in the corresponding in the box document and read the disclaimer and safety guidelines before flight. Complete the assembly and learn the basic operations with the help of the quick start guide and the video tutorial on the official DJI website (<http://www.dji.com>). Refer to the user manual on the official DJI website for more comprehensive information. Make sure you fully understand the functionality of each individual part, the flight condition requirements, the key contingency warning functions and systems, and all government regulations before each flight. If you have any questions or problems during the assembly, maintenance, or use of this product, contact DJI or a DJI authorized dealer.

Individual Parts

Regarding Genuine and Functional Parts

WARNING

To avoid component malfunction, serious injury, and property damage, observe the following rules:

1. Use only genuine DJI parts or parts certified by DJI. Unauthorized parts or parts from non-DJI certified manufacturers may cause system malfunctions and compromise safety.
2. Make sure there are no foreign objects inside of the aircraft or its components, such as water, oil, soil, or sand.
3. Make sure the aircraft and its components are all in good working order, damage-free, and functioning well. Components include, but are not limited to, the remote controller, compass, propulsion system, radar module, and spraying system.

Remote Controller

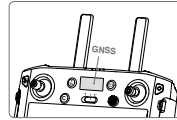
WARNING

To avoid component malfunction, serious injury, and property damage, observe the following rules:

1. Use the ports on the remote controller in strict accordance with their specifications.
2. Make sure that the display device on the remote controller has access to the internet (via Wi-Fi or a SIM card). Otherwise, flight records cannot be uploaded to a DJI server and therefore DJI may not be able to provide warranty repair services to you and can assume no liability for any related losses you incur.

NOTICE

1. Make sure the remote controller is fully charged before each flight.
2. If the remote controller has not been used for five minutes while it is powered on and is not connected to the aircraft, it will sound an alert. After 10 seconds, it will automatically power off. Move the sticks or perform another action to cancel the alert.
3. To achieve optimal transmission quality, make sure the antennas of the remote controller are unfolded and adjusted to the proper position.
4. The GNSS in the remote controller is inside the place above the flight mode switch, as shown in the figure. For the GNSS to function properly, make sure that it is facing the sky without any blockage and place the remote controller horizontally.



5. Contact DJI Support to repair the remote controller if damaged. A damaged antenna will greatly decrease performance.
6. Replacement remote controllers have to be linked to the aircraft. After linking, make sure that the transmission distance can reach 300 m before using. Refer to the user manual for more information on linking instructions.
7. Fully charge and discharge the internal and external batteries of the remote controller at least once every three month.
8. Immediately charge the internal or external battery of the remote controller when its power level decreases to 0% to prevent the device being damaged due to over discharge for an extended period. Discharge the batteries to a power level between 40% and 60% if stored for an extended period.
9. Upon linking an aircraft to a remote controller, any other link the aircraft had to any other controller is dropped. As such, all aircraft linked to a remote controller that is in Multi-Aircraft Control mode can only be controlled by that remote controller. To control any aircraft using a different remote controller, that aircraft must be manually linked to the remote controller using the DJI Agras app.
10. DO NOT cover the air outlet on the remote controller. Otherwise, the remote controller may become too hot, which could affect its performance.
11. DO NOT obstruct the RTK dangle when used.

Aircraft Body

WARNING

To avoid component malfunction, serious injury, and property damage, observe the following rules:

1. Use the ports on the aircraft body in strict accordance with their specifications.
2. DO NOT short circuit the ports on the aircraft body.
3. Be careful when assembling or cleaning the aircraft as some parts of the aircraft body are sharp.
4. For T30: fold the M3 and M5 arms followed by the M2 and M6 arms and make sure that the arms are inserted into the storage clamps on both sides of the aircraft. Otherwise, the arms may be damaged. Lift and lower the M1 and M4 arms gently to reduce wear and tear. For T10: fold the M3 and M4 arms followed by the M1 and M2 arms and make sure that the arms are inserted into the storage clamps on both sides of the aircraft. Otherwise, the arms may be damaged.
5. When using the RTK function, operate in an open environment free from radio interference. DO NOT obstruct the D-RTK antennas when used.
6. DO NOT obstruct the OcuSync antennas.
7. When operating at night, DO NOT look directly at the spotlight to avoid damaging your eyes.
8. DO NOT touch or let your hands or body come in contact with the heat sinks when powering on or after flight as they may be hot.
9. If the USB-C port is not in use, make sure to attach the waterproof cover. Otherwise, water may enter the port which can short circuit.

Flight Battery

⚠ WARNING

To avoid component malfunction, serious injury, and property damage, observe the following rules:

1. Only use official DJI flight batteries.
2. The voltage on the aircraft can reach 58.8 V. Read the battery's safety guidelines and take necessary precautions when handling the batteries to ensure your own safety.
3. DO NOT splash the battery with an excessive volume of water.

Compass

CAUTION

To avoid component malfunction, serious injury, and property damage, observe the following rule:

1. Land immediately when obvious drifting occurs in flight such as if the aircraft does not fly in a straight line.

NOTICE

Calibrate the compass when the app prompts you to do so. Observe the following rules when calibrating your compass:

1. It is important to calibrate the compass. The calibration result will affect the flight safety. The aircraft may malfunction if the compass is not calibrated.
2. DO NOT calibrate your compass where there is a chance of strong magnetic interference. This includes areas where there are utility poles or walls with steel reinforcements.
3. DO NOT carry ferromagnetic materials with you during calibration such as keys or mobile phones.
4. If the aircraft status indicators show a blinking red light, compass calibration has failed. Please recalibrate.
5. After calibrating successfully, the compass may be abnormal when you place the aircraft on the ground. This may be because of underground magnetic interference. Move the aircraft to another location and try again.

Propulsion System

⚠ WARNING

To avoid serious injury to yourself or others, which may be caused by the rotating propellers and motors, observe the following rules:

Propellers

1. Check if the propellers are in good condition before each flight. Replace aged, chipped, or broken propellers.
2. Power off the aircraft before touching the propellers.
3. Be aware of the sharp edges of the propellers when mounting or removing the propellers.
4. Make sure that propellers are unfolded and firmly tightened before each flight.
5. Stay away from the rotating propellers and motors to avoid injuries.

Motors

1. Make sure that the motors are securely mounted and rotating smoothly.
2. DO NOT attempt to modify the structure of the motors.
3. DO NOT touch or let your hands or body come in contact with the motors after flight as they may be hot.

CAUTION

To avoid component malfunction, serious injury, and property damage, observe the following rules:

1. DO NOT block any of the ventilation holes on the motors.

NOTICE

1. Keep the motors free of dust.

2. If a motor is stuck and unable to rotate freely, execute the CSC to stop the motors immediately.
3. Make sure the sound of the motors when powering on is normal.

Spraying System

⚠ WARNING

To avoid component malfunction, serious injury, and property damage, observe the following rules:

Pesticide Usage

1. Avoid the use of powder pesticides as much as possible as they may reduce the service life of the spraying system.
2. Pesticides are poisonous and pose serious risks to safety. Only use them in strict accordance with their specifications.
3. Residue on the equipment caused by splashes or spills when pouring and mixing the pesticide can irritate your skin. Make sure to clean the equipment after mixing.
4. Use clean water to mix the pesticide and filter the mixed liquid before pouring into the spray tank to avoid blocking the strainer. Clear any blockage before using the equipment.
5. Make sure to stay in an upwind area when spraying pesticide to avoid bodily harm.
6. Wear protective clothing to prevent direct body contact with the pesticide. Rinse your hands and skin after handling pesticides. Clean the aircraft and remote controller after applying the pesticide.
7. Effective use of pesticides depends on pesticide density, spray rate, spray distance, aircraft speed, wind speed, wind direction, temperature, and humidity. Consider all factors when using pesticides, but DO NOT compromise the safety of people, animals, or the environment in doing so.
8. DO NOT contaminate rivers and sources of drinking water.

Sprinklers

1. Avoid using insoluble pesticides such as wettable powder.
2. The sprinklers are delicate parts. Clean them immediately after use.
3. DO NOT bend the hose in an arc tighter than its minimum bend radius. This is to avoid creasing, which may compromise the spraying effect.
4. Make sure to securely tighten the hose nuts to avoid liquid leakage.

Spray Tank

1. Make sure that the spray tank is firmly in place to avoid liquid leakage.
2. The spray tank load must not exceed the specified max value. Refer to the specifications of each aircraft model for more information.

Spherical Radar System

⚠ WARNING

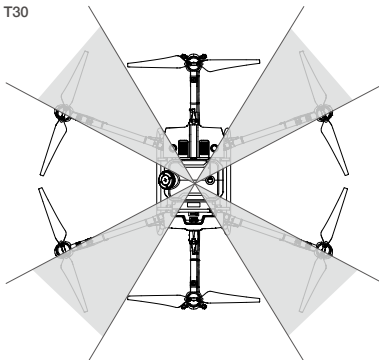
To avoid component malfunction, serious injury, and property damage, observe the following rules:

1. DO NOT touch or let your hands or body come in contact with the metal parts of the radar module when powering on or immediately after flight as they may be hot.
2. Maintain full control of the aircraft at all times and do not rely on the radar module and DJI Agras app. Keep the aircraft within VLOS at all times. Use your discretion to operate the aircraft manually to avoid obstacles.
3. As shown in the figure below, the omnidirectional digital radar has a horizontal obstacle detection range of 360° and a vertical obstacle detection range of $\pm 15^\circ$ while the detection distance range is 1.5 to 30 m. Note that the aircraft cannot sense obstacles that are not within the detection range. Fly with caution. For the four gray areas in the figure, the detection performance of the radar module may be reduced due to the obstruction of the frame arms and landing gear. Fly with caution. The effective detection distance varies depending on the size and material of the obstacle. When sensing objects such as buildings that have a radar cross section (RCS) of more than -5 dBsm, the effective detection distance is 20 to 30 m. When sensing objects such as power lines that have a RCS of -10 dBsm, the effective detection distance is approximately 15 m. When sensing objects such as

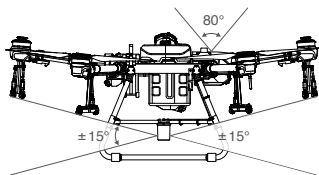
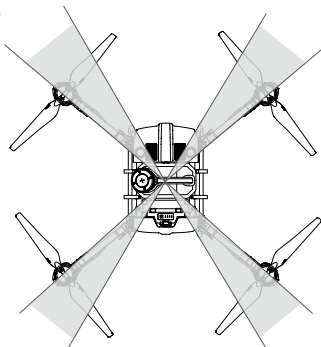
dry tree branches that have a RCS of -15 dBsm, the effective detection distance is approximately 10 m. Obstacle sensing may malfunction or be invalid in areas outside of the effective detection distance.

- When mounting the omnidirectional digital radar, make sure the arrow mark is pointing towards the aircraft front.

T30



T10



NOTICE

- Comply with local radio transmission laws and regulations.
- The sensitivity of the radar module may be reduced when operating several aircraft within a short distance. Operate with caution.
- The obstacle avoidance functions are disabled in Altitude mode.
- DO NOT attempt to disassemble any part of the radar module that has already been mounted prior to shipping.
- The radar module is a precision instrument. DO NOT squeeze, tap, or hit the radar module.

Omnidirectional Digital Radar

- Before use, make sure that the radar module is clean and the outer protective cover is not cracked, chipped, sunken, or misshapen.
- Obstacle avoidance is adversely affected due to the obstruction of the aircraft body when aircraft pitch exceeds 15°. Slow down and fly with caution.
- The radar module enables the aircraft to maintain a fixed distance from vegetation only within its working range. Observe the aircraft's distance from vegetation at all times.
- When sensing objects that have a vertical inclination of more than 5° such as an inclined line or inclined utility pole, the sensitivity of the radar module may be reduced. Fly with caution.
- Operate with extra caution when flying over inclined surfaces. Recommended maximum inclination at different aircraft speeds: 10° at 1 m/s, 6° at 3 m/s, and 3° at 5 m/s.
- Land the aircraft on flat ground to avoid damage to the radar module from raised objects.

Upward Radar

- DO NOT block the position on the aircraft shell where the upward radar is located underneath. Otherwise, upward obstacle avoidance may be affected.
- Make sure the position on the aircraft shell where the upward radar is located underneath is not cracked, chipped, or misshapen. Otherwise, upward obstacle avoidance may be affected.

Firmware

⚠ WARNING

To avoid component malfunction, serious injury, and property damage, observe the following rule:

- Keep people and animals at a safe distance during any firmware update, system calibration, and parameter setting procedures.

NOTICE

- For safety, always update to the latest firmware version.
- Only use official DJI firmware.
- Make sure to update the remote controller's firmware to the latest version after you update the aircraft's firmware.
- The remote controller may become unlinked from the aircraft after updating. Re-link the remote controller and aircraft.
- Make sure to check all connections and remove the propellers from the motors before performing the firmware update.

DJI Agras App

NOTICE

- Make sure to fully charge the remote controller batteries before launching the DJI Agras App.
- Read all safety tips, warning messages, and disclaimers carefully. Be familiar with the related regulations in your area. You are solely responsible for being aware of all relevant regulations and flying in a way that is compliant. Make sure to pay close attention in the following situations:
 - Using the auto-take off and auto-landing features.
 - Setting the altitude beyond the default limit.
- Land your aircraft immediately if a prompt appears in the app.
- Examine and check all warning messages on the aircraft status list displayed in the app prior to each flight.
- Cache the map data of the area where you intend to fly the aircraft by connecting to the internet before each flight.

4G Dongle

NOTICE

- A dongle and SIM card are required for some product features in the DJI Agras app and users will bear the cost of these extras.
- Be sure to use a DJI approved dongle.

- DJI accepts no liability for accidents caused by the loss of user data or aircraft malfunctions originating from third party dongles and SIM cards.
- Only use SIM cards that are compatible with the dongle.
- Make sure you mount the dongle and the SIM card correctly. Otherwise, related functions will not be available.

Product Care

Storage and Transportation

⚠ WARNING

To avoid component malfunction, serious injury, and property damage, observe the following rules:

- Small parts, such as cables and straps, are dangerous if swallowed. Keep all parts out of reach of children and animals.
- Make sure to remove the battery from the aircraft during transportation.
- Remove or empty the spray tank during transportation or when not in use to avoid damaging the landing gear. Store the aircraft in a cool dry place.

Maintenance

⚠ WARNING

To avoid component malfunction, serious injury, and property damage, observe the following rules:

- Clean all parts of the aircraft at the end of each day of spraying after the aircraft returns to a normal temperature. DO NOT clean the aircraft immediately after operations are completed.
 - Fill the spray tank with clean water or soapy water and spray the water through the nozzles until the tank is empty. Repeat the step two more times.
 - Detach the spray tank and spray tank connector to clean them (for T10 only). Remove the spray tank strainer, nozzle strainers, and nozzles to clean them and clear any blockage. Afterwards, immerse them in clean water for 12 hours.
 - Make sure that the aircraft structure is completely connected so that it can be washed directly with water. It is recommended to use a spray washer filled with water to clean the aircraft body and wipe with a soft brush or wet cloth before removing water residue with a dry cloth.
 - If there is dust or pesticide liquid on the motors, propellers, or heat sinks, wipe them with a wet cloth before cleaning the remaining water residue with a dry cloth.
 - Store the cleaned aircraft in a dry environment.
- Wipe the surface and screen of the remote controller with a clean wet cloth that has been wrung out with water daily after operations.
- Inspect the aircraft every 100 flights or after flying for over 20 hours:
 - Check for and replace worn propellers.
 - Check for loose propellers. Replace propellers and propeller washers if needed.
 - Check for aging plastic or rubber parts.
 - Check for poor atomization of the nozzles. Clean nozzles thoroughly or replace them.
 - Replace nozzle strainers and the spray tank strainer.
- DO NOT attempt to repair the aircraft. Contact DJI Support or a DJI authorized dealer if any parts are damaged.

NOTICE

- Keep the protective cover of the radar module clean. Clean the surface with a soft damp cloth and air dry before using again.
- Keep the FPV camera clean. First remove any larger pieces of grit or sand then wipe the lens with a clean, soft cloth to remove dust or other dirt.
- In the event of a crash or collision, make sure to thoroughly inspect every part of the aircraft and make any necessary repairs and replacements before your next flight. If you have any problems or questions, contact DJI Support or a DJI authorized dealer.

Flight Condition Requirements

Weather Conditions and Surrounding Environment

⚠ WARNING

The aircraft is designed to operate in good to moderate weather conditions. To avoid collision, serious injury, property damage or imposing health hazards, observe the following rules:

- DO NOT use the aircraft in adverse weather conditions such as winds exceeding 28 kph (17 mph), heavy rain (precipitation rate exceeding 25 mm (0.98 in) in 12 hours), snow, or fog.
- To prevent health hazards to nearby people and to ensure effective spray, operate the aircraft to spray in wind speeds below 18 kph (11 mph).
- Keep the aircraft at least 10 m (30 ft) away from obstacles, people, animals, buildings, public infrastructure, and bodies of water when in flight. As the aircraft's altitude increases, keep an even further distance away from the aforementioned objects or obstacles.
- DO NOT fly over 4.5 km (14,763 ft) above sea level.
- The DJI Agras app will intelligently recommend the payload weight of the tank according to the current status and surroundings of the aircraft. When adding material to the tank, the max weight should not exceed the recommended value. Otherwise, the flight safety may be affected.
- DO NOT operate any part of the aircraft indoors.

NOTICE

- Aircraft and battery performance is subject to environmental factors such as air density and temperature.
 - Be careful when flying 2 km (6,560 ft) or more above sea level as battery and aircraft performance may be reduced.
- DO NOT use the aircraft near accidents, fire, explosions, floods, tsunamis, avalanches, landslides, earthquakes, dust, or sandstorms.
- In low temperature environments (between 32° and 50° F (0° and 10° C)), make sure that the flight battery is fully charged and be sure to reduce the payload of the aircraft. Otherwise, it will affect the flight safety or a takeoff limit will occur.

Interference with Flight Controller and Communications

NOTICE

- Fly in open areas. Tall buildings, steel structures, mountains, rocks, or forests may affect the accuracy of the on-board compass and block both GNSS and remote control signals.
- Avoid using wireless devices that use the same frequency bands as the remote controller.
- When using with multiple aircraft, including T30, T10 and other aircraft, make sure that the distance between each aircraft is more than 10 m to avoid interference.
- The sensitivity of the radar module may be reduced when operating several aircraft within a short distance. Operate with caution.
- To avoid interference between operations, do not operate more than three groups within a 50 m radius when using the Multi-Aircraft Control function.
- Be alert when flying near areas with magnetic or radio interference. These include, but are not limited to, high voltage lines, large scale power transmission stations or mobile base stations, and broadcasting towers. Failing to do so may compromise the transmission quality of this product or cause transmission errors which may affect flight orientation and location accuracy. The aircraft may behave abnormally or go out of control in areas with too much interference.
- If the RTK dongle is used for field planning, the module should be disconnected from the remote controller after planning is completed. Otherwise, it will affect the communication performance of the remote controller.

Operating the Aircraft Responsibly

⚠ WARNING

To avoid component malfunction, serious injury, and property damage, observe the following rules:

1. Make sure you are not under the influence of alcohol, drugs, or anesthesia, or suffering from dizziness, fatigue, nausea, or any other conditions, whether physical or mental, that could impair your ability to operate the aircraft safely.
2. DO NOT stop the motors mid-flight unless in an emergency situation where doing so will reduce the risk of damage or injury.
3. Upon landing, power off the aircraft, and then power off the remote controller.
4. DO NOT drop, launch, fire, or otherwise project any dangerous payloads on or at any buildings, persons, or animals, or which could cause personal injury or property damage.

NOTICE

1. Make sure you have been sufficiently trained and have contingency plans for emergency situations or for when accidents occur.
2. Make sure you have a flight plan and DO NOT fly the aircraft recklessly.
3. DO NOT use this product for any illegal or inappropriate purpose such as spying, military operations, or unauthorized investigations.
4. DO NOT use this product to defame, abuse, harass, stalk, threaten, or otherwise violate the legal rights of others, such as the right of privacy and publicity.
5. DO NOT trespass onto private property of others.

Flight Modes, Operation Modes, Functions, and Warnings

Flight Modes

NOTICE

P-mode (Positioning): The aircraft utilizes GNSS or the RTK module for positioning. When the GNSS signal is strong, the aircraft uses GNSS for positioning. When the RTK module is enabled and the differential data transmission is strong, it provides centimeter-level positioning. It will revert to A-mode when the GNSS signal is weak or when the compass experiences interference.

The aircraft will fly in P-mode by default.

A-mode (Attitude): GNSS is not used for positioning and the aircraft can only maintain altitude using the barometer. The flight speed in A-mode depends on its surroundings such as the wind speed.

In A-mode, the aircraft cannot position itself and is easily affected by its surroundings, which may result in horizontal shifting. Use the remote controller to position the aircraft.

Maneuvering the aircraft in A-mode can be difficult. Avoid flying in confined spaces or in areas where the GNSS signal is weak. Otherwise, the aircraft will enter A-mode, leading to potential flight risks. Land the aircraft in a safe place as soon as possible.

Operation Modes

⚠ WARNING

To avoid component malfunction, serious injury, and property damage, observe the following rules:

1. Make sure that you fully understand the aircraft's behavior under each operation mode before use.
2. Stay clear of obstacles near the operation route. Maintain line of sight to the aircraft and observe its status at all times.
3. Only operate in Route or A-B Route Operation mode when receiving a strong GNSS signal.

Failsafe and Return to Home (RTH)

NOTICE

1. RTH will not work if there is a weak or no GNSS signal.
2. Tall buildings may adversely affect RTH. Therefore, it is important to set an appropriate failsafe altitude before each flight. Adjust the aircraft location, altitude, and speed while returning home to avoid obstacles when there is a strong remote controller signal.
3. Make sure to fly the aircraft within the transmission range of the remote controller.
4. Only use RTH in emergency cases, as they may be affected by the weather, the environment, or any nearby magnetic fields.
5. If there is an obstacle within 20 m of the aircraft, the aircraft decelerates and then stops and hovers. The aircraft will exit RTH and wait for further commands.
6. If RTH is triggered during Route operations, the aircraft can plan a flight path for RTH to circumvent the obstacles added when planning a field.

Low Battery

NOTICE

1. When the critical battery level warning is activated and the aircraft is descending automatically, push the throttle up to maintain the aircraft's altitude and navigate it to a more appropriate location for landing.
2. When battery warnings are triggered, promptly bring the aircraft back to the Home Point or land to avoid losing power during flight and causing damage to the aircraft, property, animals, or people.

Empty Tank

NOTICE

1. A prompt appears in the DJI Agras app and the aircraft hovers in place when the spray tank is empty. In Route, A-B Route, and Manual Plus Operation modes, the aircraft can also be set to ascend or Return to Home instead of hovering. Refer to the user manual for more information on operation modes.

Compliance with Regulations & Flight Limits

Regulations

⚠ WARNING

To avoid non-compliant behavior, serious injury, and property damage, observe the following rules:

1. DO NOT modify the aircraft or use the aircraft for purposes other than for agriculture.
2. DO NOT operate in the vicinity of manned aircraft, regardless of altitude. If necessary, land immediately.
3. DO NOT fly the aircraft in areas where the large events are being held, including but not limited to sporting events and concerts.
4. DO NOT fly the aircraft in areas prohibited by local laws.
5. Remain well clear of and DO NOT interfere with manned aircraft operations. Be aware of and avoid other aircraft and obstacles at all times.

CAUTION

To avoid non-compliant behavior, serious injury, and property damage, observe the following rules:

1. DO NOT fly the aircraft near or inside restricted zones specified by local laws and regulations. Restricted zones include, but are not limited to, airports, borders between two sovereign countries or regions, major cities, and areas where temporary events or activities are being held. Note that restricted zones are continuously updated.

- DO NOT fly the aircraft above the authorized altitude.
- Make sure to keep your aircraft within VLOS, and use an observer to assist if needed.
- DO NOT use the aircraft to carry illegal or dangerous payloads.

NOTICE

- Make sure you understand the nature of your flight operation (such as for recreation, for public use, or for commercial use) and have obtained corresponding approval and clearance from the related government agencies before flight. Consult with your local regulators for comprehensive definitions and specific requirements. Visit <http://www.dji.com> for the most current instructions and warnings and <https://www.dji.com/flightsafe> for more information about flight safety and compliance. Note that remote controlled aircraft may be banned from conducting commercial activities in certain countries and regions. Check and follow all local laws and ordinances before flying as those rules may differ from those stated here.
- DO NOT fly around sensitive infrastructure or property such as power stations, water treatment facilities, correctional facilities, heavily traveled roadways, government facilities, and military zones.

Flight Limits**NOTICE**

DJI stresses safety during flight, and has therefore developed various aids to help users comply with local rules and regulations while flying. We strongly recommend that you update the firmware to the latest version to ensure the following features are fully updated:

GEO Zones

- All GEO zones are listed on the DJI official website at <http://www.dji.com/flightsafe>. GEO zones are divided into different categories and include, but are not limited to, locations such as airports, flying fields where manned aircraft operate at low altitudes, borders between two sovereign countries or regions, sensitive locations such as power plants, and areas where major events are being held.
- Flight restrictions vary by zone. Depending on the restrictions in a particular zone, warnings may appear in the DJI Agras app, takeoff may be forbidden, the flight altitude may be limited, or the aircraft may take action automatically such as landing automatically.
- Functions related to flying actions will be affected to some extent when the aircraft is near or inside a GEO zone. When near or inside a GEO zone, the aircraft may slow down, it may not be possible to create a flight task, or a flight task in progress may be interrupted. Note that the effects are not limited to the above only.

Altitude Limit

- Fly no higher than 100 m (328 ft) above ground level and stay away from any surrounding obstacles.

Distance Limit

- The maximum flight distance is 1 km (0.62 mi) by default. Note that the battery level may not be enough for the aircraft to return to the Home Point if the aircraft is too far away. Make sure to fly with caution.

Export Controls**Comply with Applicable Export Control Laws**

You are advised that export, re-export, and transfer of the Products are subjected to Chinese export control law and other applicable export control laws and sanctions (hereafter collectively referred to as "Export Control Laws"). Prior to your use, sale, transfer, rental, or other conduct related to the Products, unless permitted by the Export Control Laws or with the license issued by competent authorities, you shall in particular check and guarantee by appropriate measures that:


- There will be no infringement of an embargo imposed by the Export Control Laws;
- The Products will not be provided to the entities, persons, and organizations listed in all applicable sanctioned party lists;
- The Products are not intended for use in connection with armaments, nuclear, chemical or biological weapons, or missile technology applications.

Export Compliance, Disclaimer & Indemnity

You acknowledge it is your responsibility to comply with Chinese export control law and any other applicable export control laws. You shall solely be responsible for the legal responsibility if any of your use, sale, transfer, rental or other conduct related to the Products fail to comply with the applicable export control laws. DJI shall, in no circumstances, be responsible for your violation of any applicable export control laws. Furthermore, you shall indemnify, defend, and hold harmless DJI, its affiliates, directors, officers, employees, agents, and representatives, from and against any and all claims, demands, suits, causes of action, expenses (including reasonable attorneys' fee), damages, losses, or liabilities of any nature whatsoever, arising from, or allegedly arising from, or related to, your failure to comply with applicable export control laws.

This content is subject to change without prior notice.

Download the latest version from
<http://www.dji.com/v30>

AGRAS and  are trademarks of DJI.
Copyright © 2021 DJI All Rights Reserved.



安全についての概要

⚠ AGRAS™ T30/T10機体は玩具ではありません。また、18歳未満の児童を対象としていません。
「安全についての概要」セクションでは、安全に関するヒントの概要のみを紹介しています。本書およびAgras T30/T10ユーザーマニュアルをよく読んで理解してください。

1. 農業の使用

- 粉末状の農業は使用しないでください。噴霧システムの耐用年数が短くなる可能性があります。
- 農業には毒性があり、健康に深刻な危険をもたらします。農業の使用の際は、必ず農業に記載されている指示に従ってご使用ください。
- 農業の注入や混合の際、液が飛び散ったりあふれたりして機器に農業が残留すると、皮膚に炎症が生じる可能性があります。混合した後は、機器を必ず洗浄してください。
- ストレーナーの詰まりを避けるため、噴霧タンクに注ぐ前に、浄水を使用して農業を混合し、混合液をろ過してください。機器を使用する前に、詰まりがあれば、洗浄して除去してください。
- 農業を噴霧するときは、人体への害を避けるために必ず身体を風上に置いてください。
- 防護服を着用して、農業が直接体に触れないようにしてください。農業を扱った後は、手と皮膚を流水で洗ってください。農業を使用した後は、機体および送信機をきれいに手入れしてください。
- 農業の効果的な使用は、農業の濃度、噴霧量、噴霧距離、機体速度、風速、風向、温度、および湿度によって左右されます。農業の使用時にはすべての要因を考慮して、周囲の人、動物および環境の安全を損なわないようにしてください。
- 河川や飲料水源地を汚染しないでください。
- 余剰噴霧液の廃棄：噴霧作業を計画すると、エリアを作業するのに十分な程度の殺虫剤を購入し、余剰噴霧液を確実に最小限に抑えられます。タンク内の噴霧液や洗浄液が余剰であれば作りに散布することをお勧めします。ユーザーは、タンク内に残った洗浄液を廃棄処理するためのパイプラインの設置を考慮してもよいでしょう。
- 強酸、強基剤、高温の液、明確に禁止された殺虫剤は絶対に使用しないでください。

2. 環境に関する考慮事項

- 建物などの障害物がない場所で飛行させてください。大勢の人が集まっている場所の上空やその付近では飛行させないでください。
- 海拔4.5 kmを超えて飛行しないでください。
- 気温0~45°Cの穏やかな気象条件で飛行させてください。
- 運用する地域の法律や規制に違反していないこと、事前に適切な認可をすべて取得していることを確認してください。飛行前に関連する政府機関または当局、もしくは弁護士に問い合わせ、関連するすべての法律および規制を確認してください。
- 屋内で機体を操作しないでください。（一部の部品だけ操作も不可）。

3. フライト前チェックリスト

- 下記すべてを確認してください。
- 送信機と機体のバッテリーが完全に充電されている。
 - すべての部品が良好な状態にある。飛行前に古くなった部品または破損した部品を交換してください。
 - ランディングギアと噴霧タンクが所定の場所に固定されている。
 - プロペラとフレームアームを展開し、アームロックをしっかりと固定します。プロペラが良好な状態で、しっかりと固定されている。モーターとプロペラを妨害するもの何もない。
 - 上方レーダーが直下に設置されている機体シールドの位置を塞がないようにしてください。
 - 噴霧システムに詰まりがなく、正常に動作する。
 - アプリで指示が表示されたらコンパスをキャリブレーションする。

4. 保護等級について

正常に機能している場合、機体は防水性、防塵性、耐腐食性を備えています。安定したラ環境下では、機体（インテリジェントフライトバッテリーを除く）は保護等級IP67（IEC60529）を満たし、少量の水で機体を清掃することが可能です。ただし、この保護等級は恒久的なものではなく、長期間の使用による老朽化または損耗により、時間とともに効果が減衰することがあります。水による損傷は製品保証の対象となりません。

上述の機体の保護等級は、以下のような状況では低下する可能性があります：

- 衝突により、密封構造が変形した。
- シールドの密封構造にひびが入った、または破損した。
- 防水カバーがしっかりと閉められていなかった。

5. 操作

- 回転中のプロペラやモーターから離れてください。
- 潜在的な安全リスクを防止するため、必ず指定された最大重量内で飛行させてください。
- DJI Agrasアプリは現在のステータスと機体の周辺状況に応じてタンクのペイロード重量をインテリジェントに推奨します。タンクへの材料追加時には、最大重量が推奨値を超えないようにしてください。推奨値を超えると、飛行安全性に影響を及ぼすおそれがあります。
- 常に、機体を目視内（VLOS）で操作してください。
- 緊急時でない限り、機体が飛行しているときに、コンビネーション・スティック・コマンド（CSC）またはその他の方法でモーターを停止しないでください。
- 飛行中は電話の着信に回答しないでください。飲酒または服薬時には、飛行させないでください。
- ローバッテリー警告が表示された場合は、機体を安全な場所に着陸させてください。
- リーダーモジュールが動作環境で適切に動作できない場合、機体はReturn-to-Home (RTH) 中に障害物を回避できません。調整できるのは、送信機がまだ接続されている限り、飛行速度と高度のみです。
- 着陸後、モーターを停止させ、機体の電源を切り、送信機をオフにしてください。そうしない場合、送信機信号が失われるため、機体が自動的にフェールセーフRTHに入る場合があります。
- 常に機体を完全にコントロールするようにして、DJI Agrasアプリに依存しすぎないように注意してください。特定の状況では、障害物回避機能が無効になります。機体を目視内（VLOS）に保ち、その飛行に細心の注意を払ってください。ご自身の重量により機体を操作し、適時に手動で障害物避けてください。飛行前に適切なフェールセーフ高度およびRTH高度を設定しておくことが重要です。

6. メンテナンスと保管

- 古くなったり、欠けたり、損傷したりしたプロペラは使用しないでください。
- ランディングギアが損傷しないよう、運搬中、または使用しないときには、噴霧タンクを取り外すが、空にしてください。
- 推奨保管環境温度（噴霧タンク、流量計、ポンプ、ホースが空の場合）：-20°~40°C。
- 噴霧後はすぐに機体を洗浄してください。機体を定期的に検査してください。メンテナンスガイドラインの詳細については、「本製品の手入れ」セクションを参照してください。

7. 現地の法律および規制の順序

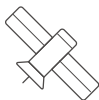
- <http://www.dji.com/flysafe>でDJI™ GEO区域のリストを検索できます。DJI GEO区域は、現地当局の規制やその場での適切な判断に代わるものではないことにご注意ください。
- 100 mを超える高度での飛行は避けてください。*

* 飛行高度の制限は、国や地域によって異なります。現地の法律や規制で定められた高度で飛行するようにしてください。



開けた場所で飛行

+



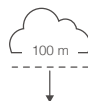
強いGNSS信号

+

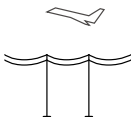


VLOS

+



高度100 m以下で飛行

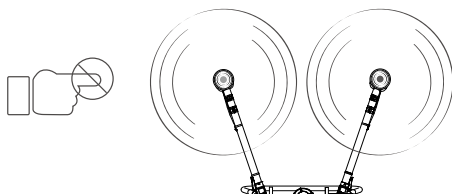


人混み、高電圧の送電線、水域の近くで飛行させないでください。

送電線、基地局、高層ビルなど、強い電磁波の発生源により、機内搭載のコンパス性能に影響を受けることがあります。



強風 (28 km/h超)、豪雨 (12時間雨量が25 mmを超える場合)、霧、雪、雷、竜巻、台風などの悪天候時に機体を使用しないでください。



回転中のプロペラやモーターから離れてください。



GEO区域

詳細については、以下をご覧ください。
<https://www.dji.com/flysafe>

注記

本書およびその他すべての付属書は、SZ DJI TECHNOLOGY CO., LTD独自の裁量で変更されることがあります。最新の製品情報については、<http://www.dji.com>にアクセスして、製品ページをクリックしてご覧ください。

用語集

本製品の関連資料では、以下の用語で製品操作時に起こりうる危険のレベルを示します。

- 注意** 手順を正しく実行しないと、物的な損傷および怪我の可能性ががあります。
- 重要** 手順を正しく実行しないと、物的損害が発生するおそれとともに、重傷を負う可能性があります。
- 危険** 手順を正しく実行しないと、物的損害、付随的損害、および重傷の可能性があるか、重傷を負う確率が高くなります。

警告

操作前に、ユーザーマニュアルをよく読み、機能をよく理解してから本製品を操作してください。本製品を安全かつ責任ある方法で操作しないと、本製品や個人の財産の損害や重傷を引き起こす恐れがあります。本製品は高度な機能を備えています。慎重かつ良識を持った操作とともに、基本的な機械知識が求められます。本製品は子供の使用を想定していません。互換性のない部品を使用しないでください。また、SZ DJI TECHNOLOGY CO., LTDが提供している資料に記載されている以外の方法で本製品を改造しないでください。本安全ガイドラインには、安全、操作、メンテナンスの手順を記載しています。本製品を正しく操作し、損害や重傷を避けるためには、組み立て、設定、使用の前に、ユーザーマニュアルに記載されている手順と警告をすべて読み、これに従うことが重要です。

フライト前チェックリスト

下記すべてを確認してください。

1. 状態の良い純正部品のみを使用している。
2. 送信機と機体のバッテリーが完全に充電されている。外付けインテリジェントバッテリーを使用する場合でも、内蔵バッテリーにある程度の電力があることを確認する必要があります。電力がない場合、送信機の電源を入れることができます。
3. プロペラは良好な状態で、モーターに正しくしっかりと取り付けられている。
4. プロペラとフレームアームを展開し、アームロックをしっかりと固定します。
5. モーターはしっかりと取り付けられ、正常に起動して機能している。
6. ランディングギア、噴霧タンク、インテリジェントフライトバッテリーがしっかりと固定されている。
7. すべての部品がしっかりと取り付けられ、ケーブルが正しく、しっかりと接続されている。
8. D-RTKTMアンテナ、OCUSYNCTMアンテナ、上方レーダーを直下に設置してある機体シェルの位置には障害になるものが何もないようにします。
9. DJI Agrasアプリと機体のファームウェアが最新バージョンに更新されています。
10. 飛行する地域がGEO区域外で、フライト条件が飛行に適している。
11. 飲酒時、服薬時など、認知能力が損なわれる可能性のある状態では、飛行を行わない。
12. 選択したフライトモードに習熟し、すべての安全機能と警告を理解している。
13. 現地規制をすべて順守し、認可を適切に取得し、リスクを理解している。フライト規制の遵守は、ユーザーの責任となります。
14. DJI Agrasアプリが、機体の操作をアシストできるように適切に起動している。DJI Agrasアプリによって記録され、送信機に保存されたフライトデータがない場合、機体の紛失など特定の状況下で、DJIは、アフターサービスの提供や、責任を負うことができない場合があります。

免責事項および警告

本製品は玩具ではなく、18歳未満のお子様による使用は前提としていません。機体は子供の手の届かない場所に保管してください。また、子供がいるところでは機体を操作しないでください。

本製品の不適切な使用により、傷害や物的損害を引き起こすおそれがあります。初めて本製品をご使用になる前に、本製品に関連する資料をお読みください。これらの文書は本製品パッケージに同梱されていますが、オンラインのDJI製品ページ (<http://www.dji.com>) でも入手できます。

本製品は、農地、森林、果樹園などの農業用途のみを対象としたマルチコプター飛行プラットフォームです。以下に従って、良好な状態で作動すれば、簡単に飛行させることができます。最新の注意事項と警告については、<http://www.dji.com>をご覧ください。安全な飛行と法令順守の詳細については、<https://www.dji.com/flightsafe>をご覧ください。

本書では、ユーザーの安全および法的権利と責任に関する情報を記載しています。ご使用前に、本書の内容をよくお読みいただき、確実に適切な設定を行うようにしてください。本書に記載されている手順と警告を正しく理解し従わなかった場合、機体の損失を引き起こしたり、ご自身の重傷や、機体の損傷を引き起こすおそれがあります。

本製品を使用することにより、お客様は本書の免責事項およびユーザーマニュアルをよく読み、記載されている利用規約を理解し、順守することに同意したとみなされます。DJIアフターサービスポリシー (<http://www.dji.com/service>)に明示的な規定がない限り、本製品およびすべての資料、本製品を通して得られるコンテンツは「現状のまま」および「提供されているまま」で提供され、明示、黙示を問わず、いかなる種類の保証も条件も伴いません。明示、黙示を問わず、DJIアフターサービスポリシーに明確に規定されない限り、製品、製品アクセサリ、すべての資料に関し、DJIは以下を含む、いかなる種類の保証も一切行いません。(A) 商品性、特定目的の適切性、権限、平穩享有権、非侵害に対する黙示保証、および (B) 取引の過程、使用、商習慣から生ずる保証。DJI限定保証に明示的な規定がない限り、製品、製品アクセサリ、製品の一部、資料が、中断されることがなく、安全で、エラー、ウィルス、その他有害な部品がないことを、DJIは保証しません。また、それらの問題の修正も保証しません。

本規約に明確に記載されない限り、口頭であれ書面であれ、本製品、製品アクセサリ、資料から得られる助言や情報により、DJIまたは本製品に関する保証は発生しません。本製品、製品アクセサリ、資料の使用またはアクセスに起因するあらゆる損害に対するすべてのリスクは、お客様が負担するものとします。お客様の重量とリスクにおいて本製品を使用し、けが、死亡、お客様の財産への損害 (本製品と接続して使用したコンピュータシステム、モバイルデバイス、DJIハードウェアを含む)、第三者の財産への損害、本製品の使用による、あるいは使用不能によるデータの損失に対して、お客様が単独で責任を負うことについてお客様は理解し、同意するものとします。保証の免責を認めない司法管轄区は、合意した司法管轄区によってはお客様が別の権利を有する場合もあります。

DJIはSZ DJI TECHNOLOGY CO., LTD.およびその関連会社の商標です。本書に記載されている製品、ブランドなどの名称は、その所有者である各社の商標または登録商標です。

損害賠償の制限条項

いかなる場合でも、DJIは、製品、製品アクセサリ、または資料、フライト環境データ、アクセスまたは使用、アクセス不能または使用不能に関連して発生した間接的損害、付随的損害、特別損害、結果的損害、懲罰的損害 (利益の損失、営業権、またはその他の無形資産の損失を含む損害) について、保証、契約、不法行為 (過失を含む)、法令、またはその他の法理論に基づいては、かどうかを問わず、およびDJIが当該損害の可能性について通知を受けていたかどうかを問わず、一切の責任を負いません。

お客様とDJIが別途合意している場合を除き、契約の記述、不法行為、またはその他の条件のあるなしを問わず、これらの条件に基づいた本製品のいかなる部分の使用または使用不能に起因する、または関連するすべての請求に対するDJIの債務総額は、100ドルに制限されます。

データの保管と使用法

ユーザーは、当社のモバイルアプリ、製品、その他のソフトウェアの使用で、フライトテレメトリデータ（速度、高度、バッテリー駆動時間、ジンバルとカメラに関する情報等）や操作記録など、製品の使用と操作に関するデータをDJIに提供する場合があります。詳細については、DJIのプライバシーポリシー（dji.com/policy）に掲載を参照してください。

DJIは、この免責事項と安全に関するガイドラインを更新する権利を留保します。定期的に<http://www.dji.com>にアクセスして、最新バージョンを取得してください。この免責事項は複数の言語で提供されています。言語版によって相違がある場合には、英語版が優先されます。

使用を開始する前に

機体を安全に操作し、活用していただくため、以下の資料をご用意しています。

1. 同梱物
2. 免責事項と安全に関するガイドライン
3. クイックスタートガイド
4. ユーザーマニュアル

同梱物の資料に対応して記載される部品をすべて確認して、フライト前に免責事項と安全に関するガイドラインをお読みください。組み立てを完成させ、クイックスタートガイドと公式DJIウェブサイト（<http://www.dji.com>）のビデオチュートリアルを使用して基本的な操作方法を確認してください。詳細については、公式DJIウェブサイトにてユーザーマニュアルを参照してください。フライト前に、各部の機能、フライトの必須条件、主な緊急警告機能とシステム、政府所管官庁の規制をすべて十分に理解しておきましょう。本製品の組み立て、メンテナンス、使用で不明な点や問題がある場合は、DJIまたはDJIの正規代理店にお問い合わせください。

各部部品

純正部品と機能部品について

警告

パーツの不具合、重傷、物的損害を避けるため、以下の規則を順守してください。

1. DJIの純正部品またはDJIが認定する部品のみをご使用ください。非純正の部品やDJI認定メーカー以外が製造した部品を使用すると、システムに不具合が発生し、安全性が損なわれるおそれがあります。
2. 機体や部品内に異物（水、オイル、土、砂など）がないか確認します。
3. 機体とそのコンポーネントがすべて問題なく動作し、損傷がなく、十分に機能していることを確認してください。コンポーネントには、送信機、コンパス、推進システム、レーザーモジュール、噴霧システムが含まれますが、これらに限定されません。

送信機

警告

パーツの不具合、重傷、物的損害を避けるため、以下の規則を順守してください。

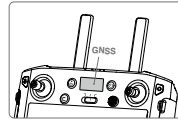
1. 送信機のポートは、仕様に厳密に従って使用してください。
2. 送信機のディスプレイデバイスがインターネットにアクセスできることを確認してください（Wi-FiまたはSIMカード経由）。アクセスできない場合、飛行記録をDJIサーバーにアップロードできないため、DJIは保証修理サービスを提供できない場合があります。発生した損失に対して一切責任を負うことはできません。

注記

1. フライト前に、毎回送信機が完全に充電されているか、必ず確認してください。
2. 送信機の電源がオンの状態で、機体と接続せずに5分間操作しない場合、アラートが鳴ります。10秒経過すると、自動的に電源がオフに

なります。スティックを動かさず、他の操作をすると、アラートは止まります。

3. 最適な伝送品質を維持できるように、送信機のアンテナを展開し、正しい位置に調整してください。
4. 図に示すように、送信機のGNSSは、フライトモードスイッチの上の場所にあります。GNSSが正常に機能するために、妨害なく空に向けていることを確認し、送信機を水平に配置します。



5. 破損している場合は、DJIサポートに連絡して、送信機を修理してください。損傷したアンテナは性能を大幅に低下させます。
6. 交換用送信機を機体にリンクする場合があります。リンクした後、使用する前に伝送距離が300 mに達することを確認してください。リンク方法の詳細については、ユーザーマニュアルを参照してください。
7. 少なくとも3か月には1回は、送信機の内蔵および外付けバッテリーを完全に充電してから充電してください。
8. 長時間の過放電によるデバイスの損傷を防ぐために、電力レベルが0%に低下したら、送信機の内蔵または外付けバッテリーをすぐに充電してください。バッテリーを長期間保管する場合には、40~60%の電力レベルになるまで充電してください。
9. 機体を送信機にリンクすると、確立していた機体と他の送信機のリンクはすべて削除されます。これにより、複数機体制御モードの送信機とリンクしていたすべての機体は、その1台の送信機のみで制御できます。異なる送信機を使用して機体を制御するには、DJI Agram アプリを使用している送信機を対象の機体を手動でリンクする必要があります。
10. 送信機の排気口をふさがしないでください。ふさがっていると、送信機が過熱して性能に影響する可能性があります。
11. RTK ドングルを使用するときは、それを妨げるものがないようにしてください。

機体本体

警告

パーツの不具合、重傷、物的損害を避けるため、以下の規則を順守してください。

1. 機体本体にあるポートは、仕様に厳密に従って使用してください。
2. 機体本体のポートを短絡させないでください。
3. 機体本体には一部鋭利な部分があるため、機体を組み立てたり掃除したりする際には注意してください。
4. T30: M3アームとM5アームを折りたたみ、次にM2アームとM6アームを折りたたみます。アームは機体の両側の保管クランプに確実に挿入するようにしてください。そうしない場合、アームが破損する恐れがあります。M1およびM4アームは、摩耗を減らすため、ゆっくりと上下させてください。
T10: M3アームとM4アームを折りたたみ、次にM1アームとM2アームを折りたたみます。アームは機体の両側の保管クランプに確実に挿入するようにしてください。そうしない場合、アームが破損する恐れがあります。
5. RTK機能を使用する場合は、操縦は無線干渉のない開けた環境でのみ行ってください。使用時はD-RTKアンテナへの干渉がないようにしてください。
6. OcuSyncアンテナへの干渉がないようにしてください。
7. 夜間に操作するときは、目を見つけないように、スポットライトを直視しないでください。
8. 高温になっていることがあるため、電源オン時または飛行後には、ヒートシンクに手や体が接触したりしないようにしてください。
9. USB-Cポートを使用していないときには、必ず防水カバーを装着してください。そうしない場合、水がポートに入り、短絡する可能性があります。

フライトバッテリー

警告

パーツの不具合、重傷、物的損害を避けるため、以下の規則を順守してください。

1. 公式のDJIフライトバッテリーのみを使用してください。
2. 機体の電圧は58.8 Vに達することがあります。バッテリーの安全に関するガイドラインをよく読んで、バッテリーを取り扱う際に注意を払い、ご自身で十分に安全を確保してください。
3. 大量の水がバッテリーにかからないようにしてください。

コンパス

注意

パーツの不具合、重傷、物的損害を避けるため、以下の規則を順守してください。

1. 機体がまっすぐに飛行できないなど、フライト中に明らかなドリフトが発生した場合には、すぐに着陸させてください。

注記

アプリから促された場合、コンパスをキャリブレーションします。コンパスをキャリブレーションするときは以下のルールを順守してください：

1. コンパスをキャリブレーションすることは重要です。キャリブレーションの結果は飛行の安全性に影響します。コンパスがキャリブレーションされていない場合、機体が誤動作する可能性があります。
2. 磁性干渉が強い場所では、コンパスのキャリブレーションを実施しないでください。このような場所には、電柱または鉄筋で補強された壁がある領域が含まれます。
3. キャリブレーション中は、鍵や携帯電話のような強磁性体を携帯しないでください。
4. 機体ステータスインジケータが赤色に点滅している場合、コンパスキャリブレーションに失敗しています。キャリブレーションをやり直してください。
5. 正常にキャリブレーションした後機体を地面に置くと、コンパスに異常が発生することがあります。これは、地下の磁性干渉が原因です。機体を別の場所に移動させ、再度キャリブレーションしてください。

推進システム

警告

回転中のプロペラとモーターにより、操縦者や周囲の人が重傷を負わないよう、以下の規則を順守してください。

プロペラ

1. 飛行前に、毎回プロペラが良好な状態にあることを確認してください。古くなったり、欠けたり、損傷したプロペラは交換してください。
2. プロペラに触れる前に、必ず機体の電源をオフにしてください。
3. プロペラを取り付ける、または取り外す際には、プロペラの鋭い先端に気をつけてください。
4. 飛行前に、プロペラが展開されており、しっかりと固定されているか確認してください。
5. 怪我を避けるために、回転中のプロペラやモーターから離れてください。

モーター

1. モーターがしっかりと取り付けられ、スムーズに回転することを確認してください。
2. モーターの構造を改造しないでください。
3. 飛行後、モーターが高温になっていることがあるため、モーターに触れたり、手や体が接触したりしないようにしてください。

注意

パーツの不具合、重傷、物的損害を避けるため、以下の規則を順守してください。

1. モーターの通気口を塞がないでください。

注記

1. モーターに埃が付かないようにしてください。
2. モーターが動かす、自由に回転しない場合は、CSCを実行して、モーターをただちに停止します。
3. 電源入れた時のモーターの音が正常であることを確認してください。

噴霧システム

警告

パーツの不具合、重傷、物的損害を避けるため、以下の規則を順守してください。

農薬の使用

1. 粉末状の農薬は使用しないでください。噴霧システムの耐用年数が短くなる可能性があります。
2. 農薬には毒性があり、健康に深刻な危険をもたらします。農薬の使用の際は、必ず農薬に記載されている指示に従ってご使用ください。
3. 農薬の注入や混合の際、液が飛び散ったりあふれたりして機器に農薬が残留すると、皮膚に炎症が生じます。混合した後は、機器を必ず洗浄してください。
4. ストレイヤーの詰まりを避けるため、噴霧タンクに注ぐ前に、浄水を使用して農薬を混合し、混合液をろ過してください。機器を使用する前に、詰まりがあれば、洗浄して除去してください。
5. 農薬を噴霧するときは、人体への害を避けるために必ず身体を風上に置いてください。
6. 防護服を着用して、農薬が直接体に触れないようにしてください。農薬を扱った後は、手と皮膚を流水で洗ってください。農薬を使用した後は、機体および送信機をきれいにしてください。
7. 農薬の効果的な使用は、農薬の濃度、噴霧量、噴霧距離、機体速度、風速、風向、温度、湿度によって左右されます。農薬の使用時にはすべての要因を考慮して、周囲の人、動物および環境の安全を損なわないようにしてください。
8. 河川や飲料水源を汚染しないでください。

スプリングラー

1. 水と剤などの不溶性農薬を使わないでください。
2. スプリングラーは繊細な部品です。使用後、速やかに洗浄してください。
3. 強くホースを曲げないでください。最小曲げ半径よりも曲げると、折目が付き、噴霧効果を低減させる恐れがあります。
4. 液漏れを防ぐためにホースナットがしっかりと締め付けられていることを確認してください。

噴霧タンク

1. 液漏れを防ぐため、噴霧タンクがしっかりと固定されていることを確認してください。
2. 噴霧タンクの積載量は指定の最大値を超えないようにしてください。詳細については、各機体モデルの仕様を参照してください。

球形レーダーシステム

警告

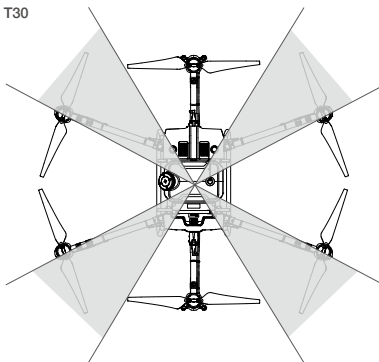
パーツの不具合、重傷、物的損害を避けるため、以下の規則を順守してください。

1. 電源を入れた時や飛行直後、金属部が高温になっていることがあるため、レーダーモジュールの金属部に触れたり、手や体が接触したりしないようにしてください。
2. 常に機体を完全に制御するようにして、レーダーモジュールやDJI Agrasアプリに依存しすぎないように注意してください。機体は常

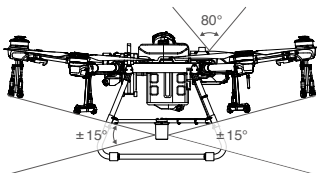
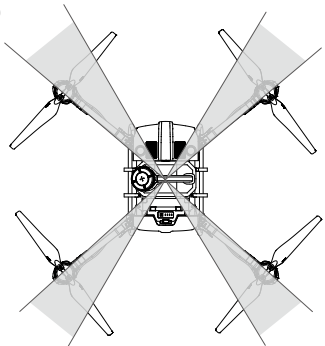
に目視内 (VLOS) に保ってください。障害物避ける場合、ご自身の判断で機体を手動操作してください。

3. 以下の図で示すように、全方向デジタルレーダーは水平障害物検知範囲が 360° で垂直障害物検知範囲が $\pm 15^\circ$ 、障害物検知距離範囲は1.5~30 mです。機体は、検知範囲外の障害物を検知できませんので注意してください。慎重に飛行させてください。図中の灰色で示された4領域では、フレームアームとランディングギアによる妨害により、レーダーモジュールの検知性能が低下する場合があります。慎重に飛行させてください。有効な検知距離は、障害物のサイズと材質によって異なります。レーダー断面積 (RCS) が-6 dBsmを超える建物などの物体を検知する場合、有効な検知距離は約20~30 mです。RCSが-10 dBsmの電力線などの物体を検知する場合、有効な検知距離は約15 mです。RCSが-15 dBsmの乾いた木の枝などの物体を検知する場合、有効な検知距離は約10 mです。有効な検知距離の外側の領域では、障害物検知が誤作動したり無効になったりする場合があります。
4. 全方向デジタルレーダーを取り付けるときは、矢印マークが機体の前面を向いていることを確認してください。

T30



T10



注記

1. 現地の無線通信法規制を順守してください。
2. 近距離で複数の機体进行操作すると、レーダーモジュールの感度が低下する場合があります。慎重に操作してください。
3. ATTIモードでは、障害物回避機能が無効になります。
4. 出荷前に搭載されたレーダーモジュールの部品を分解しないでください。
5. レーダーモジュールは精密機器です。レーダーモジュールをひねったり、軽く叩いたり、強く叩いたりしないでください。

全方向デジタルレーダー

1. 使用する前に、レーダーモジュールはきれいな状態で、外側の保護カバーにひび、欠損、へこみ、変形がないことを確認してください。
2. 障害物検知は、機体のピッチが 15° を超えるると機体本体の妨害のために性能が低下します。減速し、注意して飛行してください。
3. レーダーモジュールにより、機体は動作範囲内の作物から一定の距離を維持できます。作物と機体の距離を常時監視してください。
4. 傾斜線や傾斜した電柱など、垂直から 5° を超えて傾斜する物体を検知する場合、レーダーモジュールの感度が低下することがあります。慎重に飛行させてください。
5. 斜面を飛行するときは、特に慎重に操作してください。異なる機体速度で推奨される最大傾斜度は、1 m/sで 10° 、3 m/sで 6° 、5 m/sで 3° です。
6. 突き出た物体によるレーダーモジュールの損傷を防ぐために、機体を平らな地面に着陸させてください。

上方レーダー

1. 上方レーダーが直下に設置されている機体シェルの位置を塞がないようにしてください。そうしない場合、上方障害物回避に影響を受けることがあります。
2. 上方レーダーが直下に設置されている機体シェルの位置にひび割れ、欠損、変形がないことを確認してください。そうしない場合、上方障害物回避に影響を受けることがあります。

ファームウェア

警告

パーツの不具合、重傷、物的損害を避けるため、以下の規則を順守してください。

1. ファームウェアの更新、システムのキャリブレーション、パラメータ設定の作業中は、安全確保のため、人や動物を近づけないでください。

注記

1. 安全のため、常に最新のファームウェアに更新してください。
2. 必ず公式のDJIファームウェアをお使いください。
3. 機体のファームウェアを更新した後は、必ず送信機のファームウェアを最新バージョンに更新してください。
4. 更新後、送信機と機体とのリンクが切れる場合があります。その場合、送信機と機体を再リンクします。
5. ファームウェア更新を実行する前に、すべての接続を確認し、モーターからプロペラを取り外してください。

DJI Agrasアプリ

注記

1. DJI Agrasアプリを起動する前に、送信機のバッテリーを完全に充電しておきます。
2. 画面に表示される安全性に関するヒント、警告メッセージ、および免責事項をよくお読みください。お使いの地域の関連法規を事前に確認しておいてください。ユーザーには、関連法規をすべて認識のうえ、これを順守して飛行する責任があります。次の状況では、細心の注意を払ってください。
 - a. 自動離陸および自動着陸機能の使用
 - b. デフォルトの制限を超える高度の設定

3. アプリに指示が表示されたらすぐに機体を着陸させます。
4. アプリに表示される機体ステータスリストで必ず警告メッセージをすべて確認してから、フライトしてください。
5. 飛行を開始する前にインターネットに接続して、飛行地域の地図データをキャッシュしてください。

4G ドングル

注記

1. DJI Agras アプリの製品機能にはドングルおよびSIMカードが必要な場合があります。これらの追加費用についてはユーザーが負担する必要があります。
2. DJI 認定のドングルを使用してください。
3. DJI は、サードパーティー製ドングルとSIMカードに起因するユーザーデータの損失または機体の不具合により発生した事故について一切の責任を負いません。
4. ドングルと互換性のあるSIMカードのみを使用してください。
5. ドングルとSIMカードが正しく取り付けられていることを確認してください。そうしない場合、関連する機能が利用できなくなります。

本製品の手入れ

保管と輸送

警告

パーツの不具合、重傷、物的損害を避けるため、以下の規則を順守してください。

1. ケーブルやストラップなどの小さい部品を飲み込みと危険です。すべての部品を子供やペットの手の届かない場所に保管してください。
2. 運搬時には、機体からバッテリーを必ず取り外してください。
3. 運搬中、または使用しないときには、ランディングギアが損傷しないよう、噴霧タンクを取り外すか、空にしてください。機体は涼しく乾燥した場所に保管してください。

メンテナンス

警告

パーツの不具合、重傷、物的損害を避けるため、以下の規則を順守してください。

1. 噴霧作業を行った各日の終わりに機体が正常の温度に戻った後、機体のすべての部分を清掃します。作業完了直後は機体を清掃しないでください。
 - a. 噴霧タンクに浄水または石鹸水を満たし、タンクが空になるまでノズルから水を噴霧します。この手順をさらに2回繰り返します。
 - b. 噴霧タンクと噴霧タンクコネクターを取り外して清掃します。噴霧タンクスプレーヤー、ノズルスプレーヤー、ノズルを取り外して清掃し、詰まりを取り除きます。その後、それらを浄水に12時間浸します。
 - c. 水を満たした噴霧ウォッシャーを使用して機体本体を洗浄し、柔らかいブラシまたは濡れた布で拭いてから、乾いた布を使用して水しみを拭き取ってください。
2. モーターやプロペラにほこりや液体が付着している場合は、乾いた布で水汚れを拭く前に、濡れた布で拭いてください。
 - a. 乾燥した環境で機体を保管してください。
3. 送信機の表面と画面は、操作後毎日、水で絞ったきれいな濡れ布で拭いてください。
 - a. 100回または20時間以上の飛行ごとに、機体を点検してください。
 - b. 摩耗したプロペラを点検して交換します。
4. 噴霧タンクと噴霧タンクコネクターを取り外して清掃します (T10のみ)。噴霧タンクスプレーヤー、ノズルスプレーヤー、ノズルを取り外して清掃し、詰まりを取り除きます。その後、それらを浄水に12時間浸します。
5. 水で機体を直接洗えるようにするため、機体構造が完全に接続されていることを必ず確認します。水を満たした噴霧ウォッシャーを使用して機体本体を洗浄し、柔らかいブラシまたは濡れた布で拭いてから、乾いた布を使用して残った水を拭き取ることをお勧めします。

- d. モーター、プロペラ、ヒートシンクにごみや殺虫剤液があれば、濡れた布で拭いてから、乾いた布を使用して残った水をふき取ります。
 - e. ノズルスプレーヤーおよび噴霧タンクスプレーヤーを交換します。
4. 自分で機体の修理をしないでください。部品に損傷があれば、DJI サポートがDJI正規代理店までご連絡ください。

注記

1. レーダーモジュールの保護カバーは常に清潔にしておいてください。再度使用する前に、柔らかい湿った布で表面を拭いて自然乾燥させてください。
2. FPVカメラを清潔に保ってください。大きめの埃や砂を取り除いてから、きれいな柔らかい布でレンズを拭いて埃やごみを取り除きます。
3. 塵落したり、衝突したりした場合には、次のフライトまでに機体のすべての部分を点検し、必要な修理と交換を行ってください。問題が発生したり、ご質問がある場合は、DJIサポートまたはDJI正規代理店にご連絡ください。

フライトの必須条件

気象条件と周辺環境

警告

機体は、穏やかな気象条件で正常に動作するように設計されています。衝突、物的損害、または健康被害を回避するために、以下の規則を順守してください。

1. 強風 (28 km/h超)、豪雨 (12時間雨量が25 mmを超える場合)、雪、霧などの悪天候時に機体を使用しないでください。
2. 近くの人への健康被害を防ぎ、効果的な噴霧を確保するために、18 km/h未満の風速で噴霧するように機体进行操作してください。
3. フライト時には、機体を障害物、人、動物、建造物、公共インフラ、水域から10 m以上離してください。機体の高度が上昇するのに合わせて、上述の物体や障害物からさらに遠く離してください。
4. 海拔4.5 kmを超えて飛行しないでください。
5. DJI Agras アプリは現在のステータスと機体の周辺状況に応じてタンクのペイロード重量をインテリジェントに推奨します。タンクへの材料追加時には、最大重量が推奨値を超えないようにしてください。推奨値を超えると、飛行安全性に影響を及ぼす可能性があります。
6. 屋内で機体进行操作しないでください。(一部の部品だけの操作も不可)

注記

1. 機体やバッテリーの性能は、空気密度や気温などの環境要因に左右されます。
 - a. 海拔2 km以上で飛行させるときは、バッテリーと機体の性能が落ちる可能性があるため、細心の注意を払ってください。
2. 事故、火災、爆発、洪水、津波、雪崩、地滑り、地震、粉塵、砂嵐の環境下では、機体を使用しないでください。
3. 低温環境 (0°~10°C) では、フライトバッテリーが完全に充電されていることを確認し、機体のペイロードを減らしてください。そうしない場合、飛行の安全性に影響するが、離陸制限が発生します。

フライトコントローラーおよび通信との干渉

注記

1. 飛行は周囲が開けた屋外でのみ行ってください。高層ビル、鉄骨の建物、山、岩または森林は搭載されているコンパスの精度に影響を及ぼし、GNSSと送信機信号をブロックする可能性があります。
2. 送信機と同じ周波数帯域を利用するワイヤレス機器は使用しないでください。
3. 近距離で複数の機体进行操作すると、レーダーモジュールの感度が低下する場合があります。注意して操作してください。

- T30、T10やその他の機体を含む複数の機体で使用する場合は、干渉を避けるために各機体間の距離が10 m以上であることを確認してください。
- 複数機制御機能を使用するときは、それぞれの機体同士が干渉しないように、半径50 m以内で3つ以上のグループが操作しないようにしてください。
- 磁性干渉や無線干渉のある地域周辺を飛行する場合は慎重に操作してください。こうした地域には高電圧線、大規模送電局、モバイル基地局、放送塔などがありますが、これらに限定されません。磁性干渉や無線干渉のある地域で使用する、本製品の伝送品質の低下、伝送エラーが発生するおそれがあり、その場合、飛行方向と位置精度に影響することがあります。過度な干渉がある地域では、機体が異常な挙動をしたり、制御できなくなったりすることがあります。
- RTKドングルをフィールド計画に使用する場合、計画の完了後にモジュールを送信機から取り出す必要があります。そうしない場合、送信機の通信性能に影響します。

責任ある機体操作

警告

パーツの不具合、重傷、物的損害を避けるため、以下の規則を順守してください。

- 飲酒、服薬、麻酔などの影響がないこと、めまい、疲労、吐き気などの症状がないこと、また、身体的、精神的に、機体を安全に操作する能力があることを確認してください。
- 飛行中にモーターを緊急停止しないでください。ただし、緊急停止することで破損や怪我のリスクを減減できるような緊急の場合を除きます。
- 着陸後、機体の電源を落してから送信機の電源を落とします。
- 機体を落下、打ち上げ、発射したり、危険な積荷を積載したり、建物、人、動物に向けて操作しないでください。これにより、人的傷害や物的損害が生じるおそれがあります。

注記

- 操縦者が十分に操縦に熟達しており、緊急事態や事故発生時への対応策があることを確認してください。
- 飛行計画が策定されていることを確認し、無謀な飛行は行わないでください。
- 本製品をスパイ行為、軍事作戦、不正捜査など、違法または不適切な目的のために使用しないでください。
- 本製品を中傷、虐待、嫌がらせ、ストーキング行為、脅迫、またはプライバシー権やパブリシティ権など他人の法的権利を侵害する行為に使用しないでください。
- 他人の私有地に侵入しないでください。

フライトモード、作業モード、機能および注意事項

フライトモード

注記

Pモード（ポジショニング）：機体は、測位にGNSSまたはRTKモジュールを利用します。GNSS信号が強い場合、機体は測位にGNSSを使用します。RTKモジュールが有効で、差分データ伝送信号が強い場合、cmレベルの測位が可能です。GNSS信号が弱い場合、あるいはコンパスが干渉を受ける場合、Aモードに変更します。

デフォルトでは、機体はPモードで飛行します。

Aモード（姿勢）：測位にGNSSが使用されず、機体は気圧計のみを使用して高度を維持します。Aモードでの飛行速度は、風速などの環境に依存します。

Aモードでは、位置を調整することができません。また、機体が周囲の状況に影響されやすくなり、結果として水平方向に移動することがあります。送信機を使用して機体の位置を制御してください。

Aモードで機体を操作するのは困難です。狭いスペースやGNSS信号の弱いエリアでの飛行は避けてください。そのような場所では、機体がAモードになり、潜在的な飛行リスクが発生します。できるだけ早く機体を安全な場所に着陸させてください。

作業モード

警告

パーツの不具合、重傷、物的損害を避けるため、以下の規則を順守してください。

- 使用前に、各作業モードにおける機体の挙動を完全に理解しておいてください。
- 作業ルートの付近から障害物をよくしてください。視野内に機体を捉えておき、常に状態を監視してください。
- 強いGNSS信号を受信している場合、ルートまたはA-Bルート作業モードでのみ操作してください。

フェールセーフとReturn-to-Home (RTH)

注記

- GNSS信号が弱い場合、RTHは機能しません。
- 高層ビルは、RTHに悪影響を及ぼすことがあります。そのため、飛行を開始する前に適切なフェールセーフ高度を設定してください。強い送信機信号があるときに障害物を避けるために、RTH中に機体の位置、高度、速度を調整します。
- 機体は必ず送信機の伝送範囲で飛行してください。
- RTHは天候、環境、周辺の磁場の影響を受けることがあるため、緊急時のみ使用してください。
- 機体の20 m以内に障害物がある場合、機体は減速し、停止してホバリング状態になります。機体はRTHを終了し、その後の指示を待ちます。
- ルート作業中にRTHがトリガーされると、農地の計画時に追加された障害物を回避するよう、機体はRTHに対する飛行経路を計画できます。

ローバッテリー

注記

- 重度のバッテリー残量警告が発動されて機体が着陸のために自動的に下降する際には、スロットルを上にして機体の高度を維持し、より適切な着陸地点へ機体を誘導することができます。
- バッテリーに関する警告が発信された場合には、機体をホームポイントに速やかに戻すか、着陸させてください。そうしないと、フライト中に電池切れになり、機体の損傷、物的損害、動物や人への傷害が発生するおそれがあります。

タンクの液体切れ

注記

- 噴霧タンクが空になると、DJI Agrasアプリに表示され、機体はその場でホバリングします。ルート、A-Bルート、およびマニュアルプラスの各作業モードでは、ホバリングせずに機体を上昇させるか、帰還するよう設定することもできます。作業モードの詳細についてはユーザーマニュアルを参照してください。

法順守と飛行制限

規制

警告

法令不順行、重傷、物的損害を避けるため、以下の規則を順守してください。

1. 機体を改造したり、農業以外の用途に使用しないでください。
2. 高度に関係なく、有人の航空機周辺で機体进行操作しないでください。必要であれば、速やかに着陸させてください。
3. スポーツイベントやコンサートなどを含む（ただし、これらに限定しない）大規模なイベントが開催されている場所で機体を飛行させないでください。
4. 現地の法律で禁止されている場所で機体を飛行させないでください。
5. 有人の航空機の航路から十分な距離を保ち、運行を妨げないでください。常に他の機体や障害物に注意して、回避してください。

注意

法令不履行、重傷、物的損害を避けるため、以下の規則を順守してください。

1. 現地法および規制で指定された制限区域内やその周辺を飛行しないでください。制限区域には、空港、2つの主権国または地域の境界、主要都市、一時的にイベントや活動が行われている地域などが含まれますが、これらの場所に限定されません。制限区域は継続的に更新されることに注意してください。
2. 認可を受けた高度を超えて機体を飛行させないでください。
3. 必ず機体を目視（VLOS）で操作し、必要に応じて立会者の支援を要請してください。
4. 違法または危険なペイロードの運搬に機体を使用しないでください。

注記

1. 実施するフライトの内容（レクリエーション、公共利用、商業的使用など）を理解して、関係所管庁から飛行に関連する承認と認可を受けていることを確認してから、フライトしてください。包括的な定義と個別の要件については、現地の規制当局にお問い合わせください。最新の注意事項と警告については、<http://www.dji.com>をご覧ください。安全な飛行と法令順守の詳細については、<https://www.dji.com/flysafe>をご覧ください。特定の国と地域では、リモート制御の機体を使った商業活動を禁止している場合がありますので、ご注意ください。実際の規則が本書の記載と異なることがあるため、フライト前に現地の法規制や条例をすべて確認し、これに従ってください。
2. 発電所、水処理施設、矯正施設、交通量の多い道路、政府施設、軍事用ゾーンなど、慎重な対処が求められる基幹施設や敷地周辺を飛行しないでください。

飛行制限

注記

DJIでは飛行の安全を重視しており、ユーザーが現地規則と規制を順守して飛行できるよう、さまざまな補助ツールを開発しています。ファームウェアを最新バージョンに更新して、以下の機能がすべて更新されていることを必ず確認することを強く推奨します。

GEO区域

1. すべてのGEO区域は、DJI公式ウェブサイト<http://www.dji.com/flysafe>に一覧表示されています。GEO区域は異なるカテゴリーに分かれており、空港、有人飛行機が低空で操縦されている飛行場、2つの主権国または地域の境界、発電所などの要注意区域、大規模なイベントが開催されている場所などが含まれています。
2. 飛行制限は場所に応じて変わります。特定の区域での制限に応じて、DJI Agrasアプリに警告が表示され、離陸が禁止される場合があります。また、飛行高度が制限されるか、機体を自動着陸するなどの処置が自動的に実行される場合があります。
3. 機体がGEO区域内またはその周辺にいる場合、飛行に関連する機能はある程度の影響を受けます。GEO区域内や周辺では、機体が減速する、飛行タスクを作成することができない、実行中の飛行タスクが中断されるといった可能性があります。この影響は上記のみに限定されないことに注意してください。

高度限界

1. 高度100 mより上空には飛行させないでください。また、周辺の障害物からは安全な距離を確保してください。

距離制限

1. 最大飛行距離はデフォルトで1 kmです。機体が非常に遠い場所にある場合、機体がホームポイントに戻るにはバッテリー残量が不十分である場合があることに注意してください。慎重に飛行させてください。

輸出規制

適用される輸出管理規則の順守

製品の輸出、再輸出、および譲渡は、中国の輸出管理法およびその他の該当する輸出管理法および制裁（以下、総称して「輸出管理法」）が適用されます。製品に関連する使用、販売、譲渡、賃貸その他の行為の前に、輸出管理規則からの許可または管轄当局からライセンスを発行されている場合を除き、特に次の事項を適切な措置により確認し保証するものとします。

1. 輸出管理規則の輸出禁止措置を侵害することはありません。
2. 製品は、すべての適用される制裁当事者リストに掲載されている団体、人物、および組織には提供されません。
3. 製品は、武器、核兵器、化学兵器、生物兵器、ミサイル技術の適用に関連しての使用を目的としたものではありません。

輸出コンプライアンス、免責事項および損害賠償

お客様の責任で中国の輸出管理規則、およびその他の適用される輸出管理規則を順守することに、同意するものとします。製品に関連する使用、販売、譲渡、賃貸その他の行為のいずれかが該当する輸出管理規則に違反した場合は、専らお客様が法的責任を負うものとします。DJIは、いかなる場合も、該当する輸出管理規則違反に責任を負うものではありません。さらに、お客様が該当する輸出管理規則を遵守しなかったことに起因するが、起因とみなされる、またはそれに関連して発生した、DJI、その関連会社、取締役、役員、従業員、代理人、代表者に対する、いずれかの、または、すべての損害賠償請求、要求、訴訟、訴訟原因、費用（妥当な弁護士費用を含む）、損害、損失、もしくはいかなる性質の債務もについて、補償し、侵害を防ぎ、無害に保つものとします。

本内容は予告なく変更される場合があります。

最新版は下記よりダウンロードしてください。
<http://www.dji.com/t30>

AgrasとはDJIの商標です。
Copyright © 2021 DJI All Rights Reserved.



ข้อมูลความปลอดภัยแบบย่อ



AGRAS™ T30/T10 โดรนไม่ใช่อุปกรณ์และไม่ได้เหมาะสำหรับเด็กอายุต่ำกว่า 18 ปี
โปรดทราบว่ามีผลความปลอดภัยโดยอัตโนมัติหากทราบแบบอื่น ๆ
ของผลิตภัณฑ์ความปลอดภัยเหล่านี้ ตรวจสอบให้แน่ใจว่าคู่มือได้อ่านและทำความเข้าใจในเอกสาร
การดำเนินงานของผู้ใช้ AGRAS T30/T10

1. การใช้งานที่จำกัดที่สุด

- หลีกเลี่ยงการใช้งานที่จำกัดที่สุดซึ่งแบบย่อไม่เหมาะสำหรับเด็กอายุต่ำกว่า 18 ปี
ใช้รายการของระบบนี้ที่ปลอดภัย
- สาขากิจการที่ผู้ซื้อเป็นเจ้าของและมีความเสี่ยงระดับความปลอดภัยที่ต่ำใช้ตามข้อกำหนด
ที่ระบุไว้อย่างเข้มงวด
- สาขากิจการแบบอุปกรณีย์ที่เก็บบางการกระเด็นหรือหก เมื่อชนและผสมสารกักตุนศัตรูพืชอาจทำ
ให้พืชของคุณและพืชใกล้เคียงได้ อย่างไรก็ตามหากความสะอาดอุปกรณีย์เหมาะสม
- ใช้ระดับความผสมสารกักตุนศัตรูพืชและระยะเวลาของเหลวที่ผสมก่อนไหลในถังพ่นเพื่อป้องกัน
ไม่ให้เกิดความเสียหายต่อพืชใกล้เคียง
- ตรวจสอบข้อควรระวัง สิ่งมีชีวิตรอบข้างก่อนใช้โปรแกรม
- ตรวจสอบข้อควรระวัง สิ่งมีชีวิตรอบข้างเพื่อหลีกเลี่ยงการชนหรือชนกับสิ่งมีชีวิตอื่น
- สมมุติข้อเท็จจริง เพื่อป้องกันไม่ให้เกิดการสัมผัสกับสารกักตุนศัตรูพืชโดยตรง ดำเนินงานและมีความ
ระมัดระวังเป็นพิเศษสำหรับสารกักตุนศัตรูพืช ทำความสะอาดโดรนและรีไซเคิลหรือทำลายหลังจากใช้สาร
กักตุนศัตรูพืช
- การใช้งานที่จำกัดที่สุดอย่างมีประสิทธิผลขึ้นอยู่กับ ความเข้มข้นของสารกักตุนศัตรูพืช
ที่ดำเนินการ ระหว่างการท่น ความเร็วของโดรน ความเร็วลม ทิศทางลม
อุณหภูมิและความชื้น พิจารณาปัจจัยทั้งหมดนี้ใช้สารกักตุนศัตรูพืช
แต่ห้ามละเว้นความปลอดภัยของมนุษย์ หรือสิ่งมีชีวิตอื่นในการใช้งานที่จำกัดที่สุด
- ห้ามทำให้อากาศและแสงสว่างเข้มข้นเกินไปในการกักตุนศัตรูพืช
- การกักตุนศัตรูพืชแตกต่างกัน: การวางแผนปฏิบัติการล่วงหน้าจะช่วยให้แน่ใจว่าได้ใช้สารกักตุน
ศัตรูพืชที่เหมาะสมที่สุดเป็นลำดับขั้นซึ่งให้ผลดีที่สุดและประสิทธิภาพสูงสุดร่วมกันในที่สุด
เพื่อให้การใช้งานที่ปลอดภัยสำหรับเกษตรกร สิ่งมีชีวิตทุกชนิด ผู้ใช้จะอาจพิจารณาผลิตภัณฑ์ที่ส่งมา
พร้อมกับสารกักตุนศัตรูพืช
- อย่าใช้การเติมน้ำมันเชื้อเพลิงของโดรนหรือสารกักตุนศัตรูพืชที่ติดตั้งมาพร้อมกับเครื่อง

2. คำจำกัดความของลักษณะ

- ให้ทำการบินในบริเวณที่ไม่มีอาคารหรือสิ่งกีดขวางอื่นใด ห้ามบินเหนือหรือใกล้กับกลุ่มคน
ขนาดใหญ่
- ห้ามบินสูงกว่าระดับน้ำทะเลเกิน 4.5 กม. (14,763 ฟุต)
- บินในสภาพอากาศปานกลางที่อุณหภูมิระหว่าง 0°-45° C (32° - 113° F) เท่านั้น
- ตรวจสอบให้แน่ใจว่าทำการดำเนินการของคุณไม่ใช่เมื่อถูกกฎหมายหรือข้อบังคับใด ๆ ที่เกี่ยวข้องกับ
และคุณได้รับการอนุญาตล่วงหน้าที่เหมาะสมทั้งหมด ปกป้องหน่วยงานรัฐบาลหรือหน่วยงานที่
เกี่ยวข้องหรือหน่วยงานของคุณก่อนขึ้นบิน เพื่อให้แน่ใจว่าปฏิบัติตามกฎหมายและข้อบังคับ
ที่เกี่ยวข้องทั้งหมด
- ห้ามใช้งานในอวกาศส่วนหนึ่งของโดรนในอาคาร

3. รายการตรวจสอบก่อนขึ้นบิน

- อย่าลืมตรวจสอบสิ่งต่อไปนี้ทั้งหมด:
 - ตรวจสอบให้แน่ใจว่ารีโมทคอนโทรลและระบบแบตเตอรี่กำลังจะชาร์จเต็มที่แล้ว
 - พกชิ้นส่วน อุปกรณ์สภาพแวดล้อมที่จำเป็นทั้งหมดก่อนขึ้นบิน
 - อุปกรณ์เสริมและอะไหล่ที่จำเป็นทั้งหมด
 - โพรต็อกและแผนบินที่วางแผนไว้แล้ว และ ควบคุมการขึ้นบินในโหมดที่ปลอดภัยและ
ติดตั้งอย่างเหมาะสม ไม่มีสิ่งกีดขวางหรือสิ่งกีดขวาง
 - ไม่มีสิ่งกีดขวางด้านหน้าหรือด้านหลังของโดรนบริเวณที่บินตรวจสอบจุดบินตามจุดตั้งไว้
ให้ดี
 - ระบบบินไม่ถูกปิดกั้น และทำงานได้อย่างถูกต้อง
 - เข็มทิศได้รับการปรับเทียบแล้วหลังจากเปลี่ยนแบตเตอรี่หากจำเป็น

4. คำอธิบายระดับมาตรฐานการป้องกันอันตราย

- เมื่อโดรนทำงานได้ตามปกติ จะสามารถบินร่วมกับมนุษย์และป้องกันการกีดขวางได้ ภายใต้สภาพที่
ปฏิบัติการที่โดรน (ไม่ว่ามีเซ็นเซอร์หรือไม่มี) มีระดับการป้องกัน IP67 (IEC 60529) และ
สามารถทำความสะอาดได้โดยใช้น้ำปริมาณเล็กน้อย อย่างไรก็ตามระดับการป้องกันนี้ไม่ถาวรและ
อาจลดลงเมื่อเวลาผ่านไปหลังจากใช้งานเป็นเวลานาน เนื่องจากอายุและการสึกหรอ การรับประกัน
สินค้าไม่ครอบคลุมถึงความเสี่ยงเหล่านี้
- ระดับการป้องกันของโดรนที่กล่าวถึงข้างต้นอาจลดลงในสถานการณ์ต่อไปนี้:
 - เกิดการชนกันและโครงสร้างของฮาร์ดแวร์
 - โครงสร้างซีลของเปลือกนอกแตกหรือเสียหาย
 - สัมผัสกับน้ำไม่ได้มีการติดตั้งอย่างเหมาะสม

5. การใช้งาน

- อย่าเข้าใกล้เขตพื้นที่การรบกวนและเขตต่อ
- ตรวจสอบให้แน่ใจว่าอุปกรณ์ได้เปิดใช้งานในทุกพื้นที่บินที่บินสูงสุดสำหรับขึ้นบินเพื่อ
หลีกเลี่ยงความเสี่ยงด้านความปลอดภัย
- แอป DJI Agras จะแนะนำเพื่อจำกัดพื้นที่การรบกวนหรือจำกัดขนาดความสูงของบิน
และแจ้งเตือนผู้ใช้ของผลิตภัณฑ์ Agras ผู้ใช้สามารถเข้าถึงฟังก์ชันการรบกวนที่แนะนำนี้เพื่อทำการตั้งค่า
ของบินได้ มีเงื่อนไขการรบกวนความปลอดภัยในการบิน
- วัชพืชนานาชาติ (VLOS) ของโดรนไร้คนขับ

- อย่าใช้การส่งการควบคุมด้วยระบบผสมผสาน (CSC) หรือวิธีการอื่น ๆ ในการ ควบคุมโดรน
เมื่อโดรนบินอยู่ เว้นแต่จะได้รับการอนุมัติจากผู้ผลิต
 - ห้ามรับสายเรียกใช้ระหว่างการบิน ห้ามขึ้นบินเมื่อคลื่นแม่เหล็กหรือสายฟ้า หรือสายฟ้า
 - ถ้ามี ค่าเตือนบนจอแสดงให้แน่ใจว่าโดรนจะอยู่ในตำแหน่งที่ปลอดภัย
 - หากไม่ดูแลความถี่ในการใช้งานโดรนของคุณในสถานที่สาธารณะหรือการทำงาน โดรนจะ
ไม่มีการเตือนเมื่อใกล้ถึงขีดจำกัดในการบินกับคุณสมบัติอื่น (RTM) ได้ การเปิดที่โหมดนี้พร้อม
เสียงเตือนด้วย ห้ามนัดที่ความถี่วิทยุที่ผิดค่าความถี่และบริเวณของการบิน
 - หลังจากจบการดำเนินงานให้ปิดโดรนและเปิดโหมดการนอน
มีเงื่อนไขการนอนให้ใช้โหมด RTM โดยอัตโนมัติ เนื่องจากสัญญาณรบกวนที่มาจากจาก
แอป
 - ความปลอดภัยด้านข้อมูลของข้อมูลตลอดอายุการใช้งานที่แอป DJI
Agras เท่านั้น ซึ่งทั้งหมดจะเก็บข้อมูลที่เกี่ยวข้องกับผู้ใช้การบินในแอปพลิเคชัน
ข้อมูลที่เกี่ยวข้องกับความปลอดภัย (VLOS) ตลอดเวลาและปริมาณที่รวบรวมไว้สำหรับการ
บิน ใช้ข้อมูลนี้ในการควบคุมโดรนและระบบอื่นที่เกี่ยวข้องด้วยข้อมูลในเวลาที่เหมาะสม
ก่อนขึ้นบินทุกครั้ง ต้องมีการตั้งค่า FailSafe และระดับความสูง RTM ที่เหมาะสม
- ### 6. การดูแลและการบำรุงรักษา
- ห้ามใช้ใบพัดเก่า บิน หรือแตกหัก
 - เพื่อหลีกเลี่ยงไม่ให้ใบพัดแตกหรือเสียหายเสียหาย ให้ถอดหรือดึงออกจากตัวเครื่องเมื่อ
ไม่ได้ใช้งาน
 - อุณหภูมิในการจัดเก็บและบิน (เมื่อถึงขั้น มาตรฐานการเก็บ และต้องวางเปล่า) :ระหว่าง
-20° ถึง 40° C (-4° ถึง 104° F)
 - ทำความสะอาดโดรนทันทีหลังจากบินเสร็จ ตรวจสอบว่าสายเคเบิลและปลั๊กไฟได้รับการเชื่อมต่อ
อย่างถูกต้องก่อนใช้ทุกครั้ง

7. การดูแลของกฎหมายและระเบียบปฏิบัติที่เกี่ยวข้อง

- คุณสามารถค้นหาการ GEO Zone ของ DJI ได้ที่ <http://www.dji.com/flysafe> โปรดทราบที่
GEO Zone ของ DJI ไม่ได้นับเป็นกฎระเบียบหรือข้อบังคับที่บังคับใช้ตามกฎหมายแล้ว
- หลีกเลี่ยงการขึ้นบินหรือความสูงมากกว่า 100 เมตร (328 ฟุต)*

* ข้อจำกัดความบินแตกต่างกันไปในแต่ละประเทศหรือภูมิภาค ตรวจสอบให้แน่ใจว่าได้ปฏิบัติตามข้อกำหนดความปลอดภัยที่เกี่ยวข้องกับพื้นที่บินตามกฎหมายและข้อบังคับท้องถิ่น



บินในพื้นที่เปิดโล่ง

+



สัญญาณ GNSS แรง

+

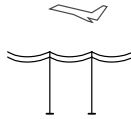


VLOS

+



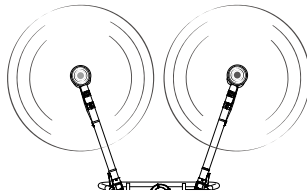
บินต่ำกว่า 100 เมตร (328 ฟุต)



หลีกเลี่ยงการบินผ่านหรือใกล้สิ่งสูง เช่น สายไฟฟ้าแรงสูง หรือแหล่งน้ำ
แหล่งกำเนิดแม่เหล็กไฟฟ้าที่แรง เช่น **สายไฟฟ้า สถานีฐานและอาคารสูง** อาจส่งผลต่อเซ็นเซอร์บนโดรน



ห้ามบินในกรณีที่มีสภาพอากาศที่ไม่ดีอย่างหนัก เช่น ลมแรงเกิน 28 กม./ชม. (17 ไมล์ต่อชั่วโมง) ส่วนลดการถัก (6ตารางไมล์ต่อกัน 25 มม. (0.98 นิ้ว) ใน 12 ชั่วโมง)
หมอกสูง ทัศนะ ฟ้าผ่า พายุทอร์นาโดหรือเฮอริเคน



อย่าเข้าไปใกล้ใบพัดและมอเตอร์ที่กำลังหมุน



GEO Zones

เรียนรู้เพิ่มเติมที่:
<http://www.dji.com/flysafe>

- ใช้ส่งหาลงจอดที่ของ DJI หรือใช้ตัวรับการรับของ DJI เท่านั้น จะรับส่งที่ไปของ DJI หรือใช้ส่งของงานที่ DJI ไม่ได้หรือของงานที่ใช้ระบบทำงานคล้ายกับแต่เกิดอันตรายได้
- ตรวจสอบให้แน่ใจว่าไม่มีสิ่งแปลกปลอมอยู่ที่ในโดรนหรือส่วนประกอบของโดรน เช่น น้ำมันเชื้อเพลิง หรือทราย
- ตรวจสอบให้แน่ใจว่าโดรนและส่วนประกอบทั้งหมดทำงานได้ดี
- ไม่มีความเสียหายและใช้งานได้ดี ส่วนประกอบต่างๆ รวมถึงแต่ไม่จำกัดเพียงรีโมทคอนโทรล เข็มทิศ ระบบเซ็นเซอร์ โมดูลมอเตอร์และระบบจัดพื้น

รีโมท

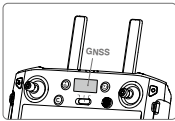
⚠ คำเตือน

เพื่อป้องกันความผิดปกติของส่วนประกอบต่างๆ การควบคุมเชิงสภาพและความเสียหายต่อทรัพย์สิน ให้ปฏิบัติตามกฎต่อไปนี้:

- ใช้หรือตรวจรีโมทคอนโทรลตามข้อกำหนดของเครื่องหรือ
- ตรวจสอบให้แน่ใจว่าอุปกรณ์ส่งและยอมรับโมดูลในคอนโทรลสามารถเข้าถึงคลื่นวิทยุได้ (เช่น Wi-Fi หรือจังก์ทรี) มิฉะนั้นจะไม่มีการอัปเดตเฟิร์มแวร์ที่การอ่านไปยังซีพียูของ DJI ได้ ดังนั้น DJI จึงอาจไม่มีการอัปเดตเฟิร์มแวร์ของตัวการปรับแก้คลื่นแต่ไม่รับประกันต่อความสูญเสียใดๆ ที่เกิดขึ้น

ประกาศ

- ซาร์ซีโมดูลใหม่ให้ใหม่ก่อนการบินทุกครั้ง
- หากไม่ได้ใช้รีโมทคอนโทรลเป็นเวลาทำเป็นชั่วโมงหรือเปิดเครื่องแล้วไม่ได้เชื่อมต่อกับโดรน จะมีการส่งเสียงเตือน หลังจากผ่านไป 10 วินาทีเครื่องจะปิดโดยอัตโนมัติ ซาร์ซีจะถอดตัวหรือส่งสัญญาณที่แท่นจอดการบินขึ้น
- ตรวจสอบให้แน่ใจว่าเสาอากาศของรีโมทคอนโทรลจากออกแล้วและปรับให้อยู่ในตำแหน่งที่เหมาะสมที่สุด
- GNSS ในรีโมทคอนโทรลจะอยู่ในตำแหน่งหนึ่งหรือตัวรีโมทคอนโทรลทั้งสองในรูป เพื่อให้ GNSS ทำงานได้อย่างถูกต้อง ตรวจสอบให้แน่ใจว่าเซ็นเซอร์ที่ติดตั้งไม่มีสิ่งกีดขวางใดๆ และวางรีโมทคอนโทรลในแนวราบ



- หากเกิดความเสียหาย ติดต่อบริการสนับสนุน DJI เพื่อซ่อมแซมรีโมทคอนโทรล เสาอากาศที่เสียหายจะหาให้ฟรีที่บริการช่วยเหลืออย่างภาค
- ตั้งเซ็นเซอร์ขึ้นหรือในหรือส่งจากบินโดรน หลังจากเชื่อมต่อแล้ว ตรวจสอบให้แน่ใจว่าระยะเวลาส่งสัญญาณสามารถไปถึงได้ไกล 300 m ก่อนที่จะใช้งาน ดูคู่มือผู้ใช้สำหรับข้อมูลเพิ่มเติมเกี่ยวกับคำแนะนำในการเชื่อมต่อ
- ซาร์ซีแบตเตอรี่ใหม่และระบบแบตเตอรี่สำหรับรีโมทคอนโทรลใหม่ภายในและภายนอกอย่างถูกต้องทุก 3 สัปดาห์
- ซาร์ซีแบตเตอรี่ภายในหรือภายนอกของรีโมทคอนโทรลทั้งหมดที่ระดับการแจ้งเตือนลดลงเหลือ 0% เพื่อป้องกันไม่ให้อุปกรณ์เสียหายเนื่องจากการขาดระบบฉุกเฉินเป็นระยะเวลาสั้น หากเป็นไปได้ให้ใช้ระยะเวลาการบิน ให้ตกประจุแบตเตอรี่ที่อุณหภูมิระดับความเย็นระหว่าง 40% ถึง 60%
- เมื่อเชื่อมต่อโดรนเข้ากับรีโมทคอนโทรล การเชื่อมต่ออื่น ๆ ที่โดรนมีกับตัวควบคุมอื่น ๆ จะหมดไป ด้วยเหตุนี้โดรนทั้งหมดที่เชื่อมต่อกับรีโมทคอนโทรลที่บินใน Multi-Aircraft Control จะสามารถควบคุมได้โดยรีโมทคอนโทรลที่ใหม่เท่านั้น ในการควบคุมโดรนโดยใช้รีโมทคอนโทรลอื่น คุณจะต้องเชื่อมต่อโดรนส่วนอื่นกับรีโมทคอนโทรลที่ส่งต่อโดยใช้แอป DJI Agras
- ห้ามใช้หรือระบอบาอกาบนรีโมทคอนโทรล มิฉะนั้นรีโมทคอนโทรลอาจร้อนเกินไปซึ่งอาจส่งผลต่อประสิทธิภาพการทำงาน
- ห้ามใช้ตัววางลงของ RTK ใหม่

ลำตัวโดรน

⚠ คำเตือน

เพื่อป้องกันความผิดปกติของส่วนประกอบต่างๆ การควบคุมเชิงสภาพและความเสียหายต่อทรัพย์สิน ให้ปฏิบัติตามกฎต่อไปนี้:

- ใช้หรือตรวจลำตัวโดรนตามที่กำหนดของเครื่องหรือ
- ห้ามดึงหรือวางของหรือบนตัวโดรน
- ระวังระดับในการประกอบหรือที่ความสูงของโดรน เนื่องจากระบบของลำตัวโดรนมีน้ำหนัก
- สำหรับ T30: ประกอบลำตัวโดรน M3 และ M5 ตามด้วย M2 และ M6 แล้วตรวจสอบให้แน่ใจว่าลำตัวโดรนได้เข้าที่แน่นแล้วกับที่รองรับของลำตัวโดรน มิฉะนั้นอาจเกิดความเสียหายได้ ขณะถอดขา M1 และ M4 เมื่งๆ เพื่อลดการสึกหรอ
- สำหรับ T10: ประกอบลำตัวโดรน M3 และ M4 ตามด้วย M1 และ M2 แล้วตรวจสอบให้แน่ใจว่าลำตัวโดรนได้เข้าที่แน่นแล้วกับที่รองรับของลำตัวโดรน มิฉะนั้นอาจเกิดความเสียหายได้

- เมื่อส่งที่ส่งก่อน RTK ที่ทำงานในสภาพแวดล้อมแบบเปิดที่ปราศจากสัญญาณรบกวนจากคลื่นวิทยุ ห้ามใช้ตัววางลงของ D-RTK เมื่อใช้รับ
- ห้ามใช้ตัววางลงของ OcuSync
- เมื่อใช้รับในแนวทแยงมุม ห้ามมองไปที่ส่งต่อโดยตรงๆ เพื่อป้องกันไม่ให้ดวงตาของคุณเป็นอันตราย
- ห้ามแตะหรือห้อยปล่อยมือหรือหิ้งหรือวางคุณสัมผัสกับและระบบควบคุมเครื่องขณะที่เครื่องทำงานหรือสัมผัสกัน เพราะจะทำให้วงจรแตก
- หากไม่ได้ใช้งานหรือตัว USB-C ตรวจสอบให้แน่ใจว่าได้ใส่สายป้องกันน้ำแล้ว มิฉะนั้นน้ำอาจไหลเข้าสู่ชุดรับ ซึ่งอาจนำไปถึงภัยพิบัติได้

แบตเตอรี่สำหรับโดรน

⚠ คำเตือน

เพื่อป้องกันความผิดปกติของส่วนประกอบต่างๆ การควบคุมเชิงสภาพและความเสียหายต่อทรัพย์สิน ให้ปฏิบัติตามกฎต่อไปนี้:

- ใช้แบตเตอรี่สำหรับโดรนของ DJI อย่างเป็นทางการเท่านั้น
- เพื่อความปลอดภัยของข้อมูลในการจัดการกับแบตเตอรี่ กรุณาอ่านคำแนะนำด้านความปลอดภัยของแบตเตอรี่และใช้มาตรการป้องกันที่จำเป็น เพราะแบตเตอรี่ไฟฟ้าที่ชาร์จสูงถึง 5.8 V
- ห้ามสับสนปริมาณมากเกินไปด้วยแบตเตอรี่

เข็มทิศ

ข้อควรระวัง

เพื่อป้องกันความผิดปกติของส่วนประกอบต่างๆ การควบคุมเชิงสภาพและความเสียหายต่อทรัพย์สิน ให้ปฏิบัติตามกฎต่อไปนี้:

- ลองดูทันทีเมื่อเกิดการบินเบี่ยงเบนจากเส้นทางของชุดบิน เช่น หากโดรนไม่เป็นเส้นตรง

ประกาศ

เมื่ออยู่ในพื้นที่ที่มีการกระจายคลื่นแม่เหล็กไฟฟ้าที่ความถี่สูง เช่น สนามแม่เหล็กไฟฟ้าที่ความถี่สูงเกินไปเมื่อกลับแบตเตอรี่ของคุณ:

- การกลับแบตเตอรี่ที่ติดตั้งสำคัญ ผลการกลับแบตเตอรี่ส่งผลต่อความปลอดภัยในการบิน หากไม่ได้กลับแบตเตอรี่ โดรนอาจทำงานผิดพลาด
- ห้ามกลับแบตเตอรี่ที่ขดลวดแม่เหล็กที่ใกล้กับเครื่องควบคุมของแม่เหล็กของหุ่นยนต์ ซึ่งรวมถึงลิฟต์แม่เหล็กไฟฟ้าหรือแม่เหล็กเสริม
- ห้ามทดสอบแม่เหล็กไฟฟ้าที่ติดตั้งด้วยระบบการกลับแบตเตอรี่ เช่น ทุ่งหญ้าหรือในหินหรือ
- หากไม่พบสถานะแบตเตอรี่แสดงให้แล้วและระบบแสดงรายการกลับแบตเตอรี่ที่หมดไปโปรดกลับแบตเตอรี่
- หลังจากกลับแบตเตอรี่แล้ว เข็มทิศอาจผิดปกติเนื่องจากโดรนเบี่ยงเบนเนื่องจากการทำงานของแม่เหล็กได้ค้น ค่าโดยเฉลี่ยไปที่อื่นแล้วอีกครั้ง

ระบบขับเคลื่อน

⚠ คำเตือน

เพื่อป้องกันความเสียหายต่อตัวคุณหรือผู้อื่นซึ่งอาจเกิดจากใบพัดและมอเตอร์ที่หมุนอยู่ ให้ปฏิบัติตามกฎต่อไปนี้:

ใบพัด

- ตรวจสอบให้แน่ใจก่อนการบินแต่ละครั้งว่าใบพัดทั้งหมดอยู่ในสภาพดี หากใบพัดเก่าขึ้นหรือแตกหัก ให้เปลี่ยนใบพัด
- ปิดโดรนก่อนสัมผัสกับใบพัด
- เมื่อติดตั้งหรือถอดใบพัด ให้ระวังขอบคมที่ใบพัด
- ตรวจสอบให้แน่ใจว่าได้ใส่กางใบพัดและขันให้แน่นก่อนบินทุกครั้ง
- เพื่อหลีกเลี่ยงการบาดเจ็บ อย่าเข้าไปใกล้ใบพัดที่กำลังหมุนและมอเตอร์

มอเตอร์

- ตรวจสอบให้แน่ใจว่ามอเตอร์แต่ละตัวตั้งอยู่ตำแหน่งที่เหมาะสมและหมุนอย่างราบรื่น
- ห้ามปรับแต่งส่วนประกอบของมอเตอร์
- ห้ามแตะหรือปล่อยมือหรือหิ้งหรือวางคุณสัมผัสกับมอเตอร์หรือผลการบิน เพราะมันอาจร้อนมาก

ข้อควรระวัง

เพื่อป้องกันความผิดปกติของส่วนประกอบต่างๆ การควบคุมเชิงสภาพและความเสียหายต่อทรัพย์สิน ให้ปฏิบัติตามกฎต่อไปนี้:

- ห้ามปิดกั้นหรือระบอบาอกาบนมอเตอร์หรือตัวรับโดรน

- เมื่อตรวจจุดศูนย์กลางเมื่อเป็นแบบดังกล่าวกว่า 5° เช่น สายที่เอียงหรือเสาไฟฟ้าที่เอียง ความโน้มถ่วงหรือแรงเฉื่อย นับด้วยตามระดับวิธี
- เมื่อปรับบนพื้นผิวที่เอียงให้ชี้งานด้วยควมละเอียดยิ่งขึ้นเป็นพิเศษ ความละเอียดสูงที่สุดที่แนะนำสำหรับความเร็วโรตารีนั้นแตกต่างกัน: 10° ที่ 1 m/s, 6° ที่ 3 m/s และ 3° ที่ 5 m/s
- น้ำไหลแรงจนเห็นวามเพี้ยนที่มองเห็นความเสถียรต่อโมดูลเวทาร์หรือทุ่นที่อุ้งขึ้นจากพื้น

รายการตรวจจำเป็น

- อย่าปรับค่าบนพื้นที่วัดค่าด้านนอกของโครงสร้างที่มีระดับตรวจจำเป็นติดตั้งไว้ยังไม่ มีชั้นดิน อากาศหรือการกวนดินถึงระดับความจำเป็น
- ตรวจสอบในใบแจ้งว่าค่าบนพื้นที่เปลี่ยนแปลงของโครงสร้างบริเวณที่มีระดับตรวจจำเป็นบนหลังตั้งไว้ยังไม่ มีข้อผิดพลาด เช่น ศูนย์หรือรูปร่าง มีชั้นดินนอกจากการก่อรบนหลังถึงระดับความจำเป็น

เฟิร์มแวร์

คำเตือน

เพื่อป้องกันความผิดพลาดของส่วนประกอบต่าง ๆ การวางเจ้าสาขาและความเสถียรต่อทรัพย์สินให้ปฏิบัติตามกฎต่อไปนี้:

- ระหว่างมีการอัปเดตเฟิร์มแวร์ การดำเนินการและขั้นตอนการตั้งค่าพารามิเตอร์ คนคนและสัตว์สี่เท้าอยู่ในระยะห่างที่ปลอดภัย

ประกาศ

- โปรดปฏิบัติตามเฟิร์มแวร์เป็นเวอร์ชันล่าสุดเสมอ เพื่อความปลอดภัย
- ซึ่งจะรองรับเฟิร์มแวร์ DJI อย่างเป็นทางการเท่านั้น
- ตรวจสอบในใบแจ้งว่าได้อัปโหลดเฟิร์มแวร์ลงในโทรศัพท์มือถือเป็นเวอร์ชันล่าสุดแล้ว หลังจากที่คุณอัปเดตเฟิร์มแวร์เสร็จสิ้นแล้ว
- หลังจากอัปเดตแล้ว มีหมอกบนหรือของสกปรกเกาะที่เชื่อมต่อโครงงาน เชื่อมต่อโครงงานและรีเซ็ตหมอกบนใหม่อีกครั้ง
- ตรวจสอบการเชื่อมต่อทั้งหมดและอัปเดตในโทรศัพท์จากแอปเตอร์ก่อนจะดำเนินการปรับไฟต่อไปเฟิร์มแวร์

แอป DJI Agras

ประกาศ

- ตรวจสอบให้แน่ใจว่าได้ชำระแอปเตอร์ในหมอกบนใหม่ให้เต็มก่อนเปิดแอป DJI Agras
- อ่านเคล็ดลับด้านความปลอดภัย คำเตือน และข้อควรระวังอย่างถี่ถ้วน จดจำข้อกำหนดที่เกี่ยวข้องในใบแจ้งข้อควรระวัง คู่มือคู่มือผู้ใช้หรือคู่มือผู้เดินงานพื้นที่ต่อรับการวินิจฉัยการแจ้งเตือนที่เกี่ยวข้อง และปฏิบัติตามที่รับรองคุณภาพ อย่าฝ่าฝืนไปโดยไม่แจ้งไปยังผู้ให้บริการผู้ดูแลการติดตั้งใหม่
- การติดตั้งสมบัตินั้นจำเป็นต้องมีในโหมดของผลิตภัณฑ์
- การตัดหรือปรับความสูงบินจะต้องใช้วิธีดังนี้
- หากมีคำเตือนขึ้นในแอป ให้ถอดโครงงานออกทันที ณ ตำแหน่งที่ปลอดภัย
- ตรวจสอบและเรียกดูความถี่ของหมอกบนที่รายการสถานะโครงงานที่แสดงในแอปก่อนบินแต่ละครั้ง
- ทำการ check-out ก่อนบินทุกครั้งเมื่อทำการบินในโหมดเชื่อมต่อกับบินเซอร์วิสโดยอัตโนมัติทุกครั้ง

ดองเกิล 4G

ประกาศ

- คุณสมบัติบางอย่างของผลิตภัณฑ์ในแอป DJI Agras ต้องใช้ดองเกิลและซิมการ์ด และจำเป็นต้องปรับทิศทางเสาไดร์รับสัญญาณเสียบนมือถือ
- โปรดตรวจสอบให้แน่ใจว่าใช้ดองเกิลที่ได้รับการรับรองจาก DJI
- DJI ไม่มีบริการเชื่อมต่ออินเทอร์เน็ตที่ใช้งานได้กับอุปกรณ์ของซิมการ์ด หรือหากผลิตภัณฑ์ของเรากำลังตรวจสอบและซิมการ์ดของคุณก็ใช้งานได้
- ใช้แผนซิมการ์ดที่มีค่าใช้จ่ายได้กับดองเกิล
- ตรวจสอบให้แน่ใจว่าคุณติดตั้งดองเกิลและซิมการ์ดอย่างถูกต้อง มิฉะนั้นพื้นที่ที่เกี่ยวข้องจะไม่มีการใช้งาน

การดูแลผลิตภัณฑ์

การจัดเก็บและการขนส่ง

คำเตือน

เพื่อป้องกันความผิดพลาดของส่วนประกอบต่าง ๆ การวางเจ้าสาขาและความเสถียรต่อทรัพย์สินให้ปฏิบัติตามกฎต่อไปนี้:

- ห้ามสัมผัสสายเคเบิล สายเคเบิลและสายหักงอหักกันจนเข้าใช้จะเป็นอันตราย โปรดเก็บทุ่นอย่างระมัดระวังและหลีกเลี่ยง
- ตรวจสอบให้แน่ใจว่าได้ถอดแบตเตอรี่ออกจากโครงงานระหว่างการขนส่ง
- ถอดฟิล์มป้องกันหน้ากระจกบนหลังหรือเมื่อไม่ใช้งาน เพื่อหลีกเลี่ยงความเสียหายของอุปกรณ์รับภาพ เก็บไว้ในที่แห้งและเย็น

การบำรุงรักษา

คำเตือน

เพื่อป้องกันความผิดพลาดของส่วนประกอบต่าง ๆ การวางเจ้าสาขาและความเสถียรต่อทรัพย์สินให้ปฏิบัติตามกฎต่อไปนี้:

- ห้ามวางเศษซากอุปกรณ์ของโครงงานทุ่นขึ้นที่มีที่เกาะบน โดยที่เมื่อถูกแรงถูกมีอยู่ปกติ อย่าทำ ความสะอาดโครงงานที่มีที่เกาะวางเสร็จสิ้นแล้วนี้เช่น
 - เก็บน้ำและสายเคเบิลในถังเก็บน้ำ แล้วจึงนำไปผ่านหัวฉีดแรงดันสูง
 - อย่าใช้เครื่องฉีดน้ำแรงดันสูง
 - ถอดฟิล์มและฟิล์มป้องกันที่ทำความสะอาด (สำหรับ T10 เท่านั้น) ถอดที่กรองบนที่กรองน้ำหรือหัวฉีดและหัวฉีดออกเพื่อทำความสะอาดและล้างสูงสุดัน หลังจากนั้นก็ขึ้นในถังสะอาด เป็นเวลา 12 ชั่วโมง
 - ตรวจสอบให้แน่ใจว่าโครงสร้างของโครงงานเชื่อมต่อกับอย่างสมบูรณ์เพื่อให้สามารถอ้างด้วยมันได้โดยตรง และให้ใช้เครื่องฉีดน้ำแบบเดินน้ำเพื่อทำความสะอาดโครงงานและเช็ดด้วยผ้าแห้งนุ่มหรือผ้าแห้งอีก ก่อนขึ้นน้ำที่แหล่งติดตั้งใหม่ด้วยผ้าแห้ง
 - หากมีฟิล์มหรือขี้เกลือที่ติดอยู่ที่ขอบของโมดูลโซลาร์เซลล์ หรือบนกระจกหรือเลนส์ ให้เช็ดด้วยผ้าแห้งนุ่มแล้วล้างน้ำที่อุณหภูมิสูงด้วยน้ำที่สะอาด
 - ตัดฟิล์มที่เกาะที่ทำความสะอาดบนฟิล์มสภาพแวดล้อมที่แห้ง
 - เช็ดที่เก็บและบนหน้าของรับหมอกบนหรือดองเกิลเก็บเศษซากที่ติดหมอกบนที่ทุ่นบนหลังการวิ่งงาน
- ตรวจสอบโครงงานในกรณีทุก ๆ 100 รอบหรือหลังจากบินนานกว่า 20 ชั่วโมง:
 - ตรวจสอบและเปลี่ยนใบพัดที่สึกหรอ
 - ตรวจสอบใบพัดที่หิววม ถ้าจำเป็นให้เปลี่ยนใบพัดและตรวจของใบพัด
 - ตรวจสอบสายที่ขาดหรือสายที่หักหรือที่เสื่อมสภาพ
 - ตรวจสอบสายรัดที่หักและอาจไม่ได้ที่ ห้ามวางเศษซากหรือสิ่งของที่มีหรือเปลี่ยนใหม่
 - เปลี่ยนที่กรองน้ำหรือหัวฉีดและที่กรองน้ำ
- ห้ามพยายามซ่อมโครงงาน หากมีชิ้นส่วนใดเสียหาย ให้ติดต่อช่างสนับสนุน DJI หรือตัวแทนจำหน่ายที่ได้รับอนุญาตจาก DJI

ประกาศ

- ดูคู่มือการป้องกันของโมดูลเซ็นเซอร์เพื่อทำความสะอาดที่ผิวสัมผัสกับทุ่นน้ำทุ่น และสิ่งอื่นที่มีเป็นก้อนหรือขี้เกลือ
- รักษาความสะอาดกล้อง FPV ก่อนขึ้นในเที่ยวการบินหรือขึ้นที่ใหม่ ๆ ออก จากบินในเซลล์และตัวสัมผัสของเสาเพื่อป้องกันหรือสิ่งสกปรกอื่น ๆ
- โปรดหลีกเลี่ยงความผิดพลาดหรือการกวนบิน โปรดตรวจสอบทุกส่วนของโครงงานอย่างละเอียดและทำการซ่อมแซมและเปลี่ยนชิ้นส่วนที่จำเป็นหรือเปลี่ยนครั้งต่อไป หากต้องการบริการช่างเทคนิค โปรดติดต่อช่างสนับสนุนของ DJI หรือตัวแทนจำหน่ายที่ได้รับอนุญาตจาก DJI

ข้อกำหนดสภาพแวดล้อมในการบิน

สภาพอากาศและสภาพแวดล้อมโดยรอบ

คำเตือน

โปรดได้รับการอนุญาตก่อนบินที่ทำงานในสภาพอากาศที่ผิดปกติบางอย่าง เพื่อหลีกเลี่ยงสถานการณ์การวางเจ้าสาขา ความเสถียรต่อทรัพย์สินหรือการเกิดอันตรายต่อสุขภาพให้ปฏิบัติตามกฎต่อไปนี้:

- ห้ามใช้โครงงานในสภาพอากาศที่ไม่เอื้ออำนวย เช่น ภาวะแสงบนที่เกิน 28 กม./ชม. (17 ไมล์ต่อชั่วโมง) ฝนตกหนัก (อัตราฝนตกเกิน 25 มม. (0.98 นิ้ว) ใน 12 ชั่วโมง) และมีสายฟ้าแรงลมสูง
- ให้ใช้งานโครงงานที่เหนือพื้นน้ำหรือความสูงรวมต่ำกว่า 18 กม. (11 ไมล์) เพื่อป้องกันอันตรายต่อผู้คนในน้ำห้ามบินใกล้ตึกและพื้นที่ในวงเวียนที่เต็มไปด้วยรถที่วิ่งหรือที่จอดรถ
- เมื่อขึ้นโครงงาน อุณหภูมิที่โครงงานต้องต่ำกว่าจุดเยือกแข็งของ ดน อีเทอร์ อากาศ โครงสร้างพื้นฐานสาธารณะ และแหล่งน้ำอย่างน้อย 10 ม. (33 ฟุต) เมื่อระดับความสูงของทุ่นบินขึ้น ความเร็วลมที่ระดับความสูงจุดยึดควรต่ำกว่าค่าที่กำหนดไว้
- ห้ามบินสูงกว่าระดับน้ำทะเลเกิน 4.5 กม. (14,763 ฟุต)
- แอป DJI Agras จะแนะนำน้ำหนักบรรทุกของโครงงานสภาพอากาศตามสถานะปัจจุบันและสิ่งแวดล้อมของโครงงาน เมื่อทำการเพิ่มสายการบิน ไบโคโรให้น้ำหนักสูงสุดเกินกว่าที่กำหนดไว้ มีชั้นดิน อากาศหรือความไม่ปลอดภัยในการบิน
- ห้ามใช้งานส่วนใดส่วนหนึ่งของโครงงานในอาคาร

ประกาศ

- สมรรถนะของโครงงานและแอปเตอร์ ขึ้นอยู่กับปัจจัยของภาวะแวดล้อม เช่น ความหนาแน่นของอากาศและอุณหภูมิ
- ที่ควรระวังเมื่ออยู่ในระดับ 2 กม. (6,560 ฟุต) หรือมากกว่านั้นเพื่อระดับที่ทะเล เพราะสมรรถนะของแอปเตอร์นั้นจะต่ำกว่าของจริง
- ห้ามใช้โครงงานใกล้กับพื้นที่ที่เกิดอุบัติเหตุ ให้ระมัดระวัง น้ำท่วม สิ้นน้ำ ไฟฉุกเฉิน แผ่นดินถล่ม แผ่นดินไหว แผ่นดินไหวหรือภัยพิบัติอื่นๆ
- ในสภาพแวดล้อมที่มีอุณหภูมิสูง (ระหว่าง 32° ถึง 50° F (0° ถึง 10° C)) ตรวจสอบให้แน่ใจว่าบนแอปเตอร์ของโครงงานที่ขึ้นบินแล้วมีชั้นดินบนที่หนักบรรทุกของโครงงาน มิฉะนั้นจะส่งผลกระทบต่อความปลอดภัยในการบินหรือสิ่งผิดปกติการขึ้นบิน

การรบกวนตัวควบคุมการบินและเครื่องมือ

ประกาศ

1. บินในพื้นที่เปลี่ยว อากาศสูง วิศวกรที่ใช่จะหา กู้คืนและปรับได้ อาจส่งผลกระทบต่อความแม่นยำของเข็มทิศและแปดทิศที่ติดตั้งอยู่ GNSS และเข็มทอนโรลสปีด
2. หลีกเลี่ยงการใช้อุปกรณ์วิทยุที่ติดตั้งบนตัวเครื่องบินตลอดไป
3. เมื่อใช้สถานีวิทยุหลายความถี่ T30, T10 และสถานีอื่น ๆ ตรวจสอบให้แน่ใจว่าระยะเวลาส่งรับคลื่นและรับมากกว่า 10 วินาทีเพื่อหลีกเลี่ยงการรบกวน
4. ความไวของเรดาร์ของเครื่องบินจะลดลงในระยะเวลาสั้น ๆ ให้นำผู้บังคับควบคุมตัวเครื่องไว้
5. เมื่อใช้ฟังก์ชัน Multi-Aircraft Control ให้ใช้ความถี่ต่ำกว่าความถี่ในโหมด 50 น เพื่อหลีกเลี่ยงการรบกวนระหว่างการปฏิบัติบิน
6. เมื่อบินใกล้กับบริเวณที่มีคลื่นแม่เหล็กหรือคลื่นวิทยุสูงเกินกว่า 1 ชั่วโมงหรือตลอดเวลา รวมถึงพื้นที่จำกัดเพื่อสาปให้ในช่วงง สถานีส่งพลังงานขนาดใหญ่ สถานีฐานโทรศัพท์มือถือและเสาสัญญาณ หากไม่ปฏิบัติตาม อาจส่งผลกระทบต่อสัญญาณของผลิตภัณฑ์หรือพื้นที่หรือที่ให้บริการสัญญาณผิดพลาด ซึ่งอาจส่งผลกระทบต่อความปลอดภัยและความแม่นยำของการระบุตำแหน่ง โดยอาจทำงานผิดพลาดหรือควบคุมไม่ได้ในพื้นที่ที่มีสัญญาณรบกวนมากเกินไป
7. หากต้องยกเลิก RTK สำหรับเที่ยวบินแบบผสมหรือ ตรวจสอบข้อมูลจากเว็บไซต์ของกรมการวางแผนเส้นทางบิน และในกรณีอื่น ๆ

ควบคุมเครื่องบินอย่างมีความรับผิดชอบ

คำเตือน

เพื่อป้องกันความผิดพลาดของส่วนประกอบต่างๆ การควบคุมเชิงสาเหตุและความเสียหายต่อทรัพย์สิน ให้ปฏิบัติตามกฎต่อไปนี้:

1. โปรดแน่ใจว่าคุณไม่ได้ดื่มแอลกอฮอล์ใช้ยาหรือสารระงับความรู้สึกใด หรือกำลังมีอาการเวียนศีรษะ อ่อนเพลีย ตื่นไม่หลับ หรือมีอาการไม่สบายอื่นใด ไม่ว่าจะเป็นอาการทางร่างกายหรือจิตใจ ซึ่งอาจส่งผลให้ความสามารถในการควบคุมเครื่องบินของคุณลดลง
2. ห้ามหยุดเครื่องบินระหว่างการบิน เว้นแต่ในสถานการณ์ฉุกเฉินซึ่งการดำเนินการนั้นจะเกี่ยวข้องกับความเสียหายต่อความเสียหายที่การควบคุม
3. หลีกเลี่ยงของแข็งและใช้แปดทิศทางเพื่อเปิดทิศทางในโหมด
4. ห้ามทิ้ง ปล่อย หรือทิ้งวัตถุสิ่งอื่นที่เป็นอันตรายใด ๆ บนหรือที่อาคาร บุคคลหรือสัตว์ใด ๆ ซึ่งอาจทำให้เกิดการบาดเจ็บหรือทรัพย์สินเสียหาย

ประกาศ

1. ตรวจสอบให้แน่ใจว่าคุณได้รับการฝึกอบรมอย่างเพียงพอและผ่านการประเมินสำหรับการบินฉุกเฉินหรือเมื่อเกิดอุบัติเหตุ
2. ตรวจสอบให้แน่ใจว่าคุณผ่านการฝึกและทำการบินโดยมีครูฝึก
3. ห้ามใช้ผลิตภัณฑ์นี้เพื่อวัตถุประสงค์ที่ผิดกฎหมายหรือใช้เฉพาะ เช่น การสอดแนมการปฏิบัติทางทหาร หรือการสืบสวนโดยไม่มีใบอนุญาต
4. ห้ามใช้ผลิตภัณฑ์นี้เพื่อใช้ในสื่อโซเชียลมีเดีย สิ่งพิมพ์ วิทยุ โทรทัศน์ หนังสือ หรือสื่ออิเล็กทรอนิกส์ทางกฎหมายอื่น ๆ เช่น สิ่งพิมพ์ ความปรารถนาดีและการเผยแพร่
5. ห้ามผูกเข้าไปในพื้นที่ย่อยของผู้อื่น

โหมดการบิน โหมดการทำงาน ฟังก์ชันและคำเตือน

โหมดการบิน

ประกาศ

โหมด P (การระบุตำแหน่ง): โดรนใช้ GNSS หรือโหมด RTK ในการระบุตำแหน่ง เมื่อติดตั้งสัญญาณ GNSS และ โดรนจะใช้ GNSS ในการระบุตำแหน่ง เมื่อติดตั้ง RTK เปิดใช้งานและการปรับตั้งสัญญาณดีพอเพื่อความแม่นยำ จะทำการระบุตำแหน่งในระดับเซนติเมตร และจะเปลี่ยนกลับเป็นโหมด A เมื่อสัญญาณ GNSS อ่อนหรือไม่มีสัญญาณรบกวน

โหมดจะบินในโหมด P ตามค่าเริ่มต้น

โหมด A (Attitude): GNSS ไม่ดีที่ในการระบุตำแหน่งและโดรนสามารถรักษาระดับความสูงได้โดยอัตโนมัติหรือที่แน่นอน ความเร็วในการบินในโหมด A ขึ้นอยู่กับสภาพแวดล้อม เช่น ความเร็วลม

ในโหมด A โดรนไม่สามารถระบุตำแหน่งที่ละเอียดได้และได้รับผลกระทบจากสภาพแวดล้อมได้ง่ายซึ่งอาจส่งผลให้เกิดการเคลื่อนที่แบบวนไปวิธีโหมดของโหมดเพื่อจุดตำแหน่งที่โดรน

การหยุดฉุกเฉินในโหมด A อาจเป็นความเสี่ยง หลีกเลี่ยงการบินในพื้นที่จำกัด หรือในพื้นที่ที่มีสัญญาณ GNSS อ่อน และในโหมดจะเข้าสู่โหมด A ซึ่งใช้ทำการบินด้วยความเร็ว ในตอนลงจอดที่ปลอดภัยโดยเร็วที่สุด

โหมดการทำงาน

คำเตือน

เพื่อป้องกันความผิดพลาดของส่วนประกอบต่างๆ การควบคุมเชิงสาเหตุและความเสียหายต่อทรัพย์สิน ให้ปฏิบัติตามกฎต่อไปนี้:

1. ก่อนใช้งาน ตรวจสอบให้แน่ใจว่าคุณเข้าใจพฤติกรรมของโดรนภายใต้โหมดการทำงานแต่ละโหมด
2. หลีกเลี่ยงสิ่งกีดขวางสิ่งกีดขวางปฏิบัติรักษาแนวสายตาของโดรนและสังเกตสถานะของโดรนตลอดเวลา
3. เมื่อได้รับสัญญาณ GNSS แวะให้ทำงานในโหมด Route หรือ A-B Route Operation เท่านั้น

โหมด Failsafe และ Return to Home (RTH)

ประกาศ

1. หากสัญญาณ GNSS อ่อนหรือไม่มีอยู่ RTH จะไม่ทำงาน
2. อาจตรวจสอบสถานะโหมด RTH ด้วยฟังก์ชันเป็นชุดครั้ง ต่อมีการตั้งค่า Failsafe และระดับความสูง RTH ที่เหมาะสม เมื่อมีสัญญาณเป็นทิศทางในโหมดแรก ให้ปรับตำแหน่งโดรน ระดับความสูงและความเร็ว และปรับสัญญาณขึ้นเพื่อหลีกเลี่ยงสิ่งกีดขวาง
3. ตรวจสอบให้แน่ใจว่าบินในโหมดการปฏิบัติการสัญญาณของทิศทางในโหมด
4. ใช้ RTH ในกรณีฉุกเฉินเท่านั้น เนื่องจากอาจได้รับผลกระทบจากสภาพแวดล้อม เช่น ลมหรือลมหรือสนามแม่เหล็กไฟฟ้า
5. หากมีสิ่งกีดขวางในระยะเวลา 20 วินาทีจากโดรน โดรนจะลดความเร็วลง จากนั้นจะหยุดและปล่อยอยู่ที่โดรนของโหมด RTH และคำสั่งเพิ่มเติม
6. หากมีการแจ้งเตือน RTH ระหว่างโหมด Route Operation โดรนสามารถวางแผนเส้นทางการบินสำหรับ RTH เพื่อหลบหลีกสิ่งกีดขวางที่เพิ่มเข้ามาเมื่อวางแผนและบิน

แบตเตอรี่สำรอง

ประกาศ

1. เมื่อมีการเตือนระดับแบตเตอรี่ต่ำจากตัวเปิดใช้งานและระดับแบตเตอรี่ต่ำโดยอัตโนมัติ ให้ดับสวิตช์ระบบ Throttle ขึ้นเพื่อรักษาระดับความสูงของโดรน และนำพลังงานไปยังแบตเตอรี่ที่เหมาะสมก่อนลงจอด
2. เมื่อมีการแจ้งเตือนแบตเตอรี่ต่ำให้โดรนกลับไป Home Point ของโดรนทันที เพื่อป้องกันการสูญเสียการเชื่อมต่อระหว่างบิน และถ้าไม่เกิดความเสี่ยงต่อโดรน หรือผู้บิน สวิตช์ผู้บิน

สิ่งแปลก

ประกาศ

1. เมื่อได้รับแจ้งว่า ข้อความแจ้งเตือนปรากฏขึ้นในแอป DJI Agras และโดรนจะบินอยู่ที่โหมด Route, A-B Route และ Manual Plus Operation โดรนยังสามารถตั้งค่าให้บินขึ้นหรือ Return to Home แทนการบินอยู่ที่โหมด A

การปฏิบัติตามกฎระเบียบและข้อกำหนดการบิน

ข้อบังคับ

คำเตือน

เพื่อหลีกเลี่ยงไม่ให้เกิดเหตุการณ์ที่ไม่พึงประสงค์ การควบคุมเชิงสาเหตุและความเสียหายต่อทรัพย์สิน ให้ปฏิบัติตามกฎต่อไปนี้:

1. ห้ามลดความเร็วในโหมดหรือใช้โดรนเพื่อวัตถุประสงค์อื่นที่ไม่ใช่ที่กำหนด
2. ห้ามบินในบริเวณที่ห้ามบินหรือบริเวณที่ห้ามบินหรือพื้นที่ห้ามบินโดยอัตโนมัติ ไม่ว่าจะมีระดับความสูงใดก็ตาม หากจำเป็น ให้ลงจอดทันที
3. ห้ามบินในบริเวณที่มีการจราจรทางอากาศ หรือบินในไม่จำกัดเฉพาะการบินขึ้นที่ห้ามและลดความเร็ว
4. ห้ามบินในบริเวณที่มีการทำให้ออกกฎหมายในท้องถิ่น
5. อยู่ห่าง ๆ และห้ามเข้าไปบริเวณการปฏิบัติการของเครื่องบินที่ขึ้นเคลื่อนด้วยมนุษย์ ระดับความสูงและทิศทางอื่น ๆ และสิ่งกีดขวางอื่น ๆ ตลอดเวลา

Khái quát về An toàn



Máy bay AGRAS™ T30/T10 không phải là đồ chơi và không thích hợp cho người dưới 18 tuổi.

Lưu ý rằng phần **Khái quát về An toàn** chỉ cung cấp tổng quan vắn tắt về các hướng dẫn an toàn. Hãy đảm bảo rằng bạn đọc và hiểu tài liệu này và Hướng dẫn Người dùng Agras T30/T10.

1. Sử dụng Thuốc trừ sâu

- Hạn chế tối đa việc sử dụng thuốc trừ sâu dạng bột vì thuốc dạng bột có thể làm giảm tuổi thọ của hệ thống phun.
- Thuốc trừ sâu có độc tính, và gây ra các rủi ro nghiêm trọng về an toàn. Tuân thủ chặt chẽ hướng dẫn kỹ thuật khi sử dụng thuốc.
- Thuốc trừ sâu tồn dư trên thiết bị do giọt bắn ra hoặc tràn khi rút và trộn thuốc trừ sâu có thể gây kích ứng da của bạn. Hãy nhớ làm sạch thiết bị sau khi trộn thuốc trừ sâu.
- Sử dụng nước sạch để pha thuốc trừ sâu và lọc hỗn hợp thuốc đã pha trước khi đổ vào bình thuốc phun để tránh làm tắc nghẽn bộ lọc. Loại bỏ các chỗ tắc nghẽn trước khi sử dụng thiết bị.
- Đảm bảo luôn đứng ở vị trí đầu gió khi phun thuốc trừ sâu để tránh các tác hại đến cơ thể.
- Mặc quần áo bảo hộ để phòng tránh tiếp xúc cơ thể trực tiếp với thuốc trừ sâu. Xả sạch tay và da sau khi xử lý thuốc trừ sâu. Làm sạch máy bay và bộ điều khiển từ xa sau khi phun thuốc trừ sâu.
- Hiệu quả của việc sử dụng thuốc trừ sâu phụ thuộc vào nồng độ thuốc trừ sâu, tốc độ phun, khoảng cách phun, tốc độ máy bay, tốc độ gió, hướng gió, nhiệt độ, và độ ẩm. Xem xét tất cả các yếu tố khi sử dụng thuốc trừ sâu, nhưng KHÔNG làm ảnh hưởng đến an toàn của người, động vật hoặc môi trường khi sử dụng thuốc trừ sâu.
- KHÔNG làm ô nhiễm sông và các nguồn nước uống.
- Xả lượng thuốc phun còn dư: Lập kế hoạch cho hoạt động phun sẽ giúp đảm bảo chỉ mua đủ số thuốc trừ sâu cho diện tích cần phun và giữ cho lượng dung dịch phun còn dư ở mức tối thiểu. Nên xả thuốc phun còn dư và nước rửa trong bình vào cây trồng. Người dùng cũng có thể cần nhắc lắp một đường ống để xả nước rửa trong bình phun.
- KHÔNG sử dụng các loại axit mạnh, bazơ mạnh, chất lỏng có nhiệt độ cao hoặc thuốc trừ sâu bị nhiễm cấm.

2. Các vấn đề Môi trường

- Bay ở các địa điểm không có các công trình và các vật cản khác. KHÔNG bay phía trên hoặc gần nơi đông người.
- KHÔNG bay cao quá 4.5km (14.763ft) so với mực nước biển.
- Chỉ bay trong điều kiện thời tiết bình thường với nhiệt độ từ 0° đến 45°C (32° đến 113°F).
- Đảm bảo rằng hoạt động của bạn không vi phạm các luật hoặc quy định liên quan, và rằng trước đó bạn đã có được tất cả các ủy quyền phù hợp. Tham vấn cơ quan chính quyền hoặc nhân chức năng liên quan, hoặc luật sư của bạn trước khi bay để đảm bảo rằng bạn đã tuân thủ các luật và quy định liên quan.
- KHÔNG sử dụng các phần của máy bay ở trong nhà.

3. Danh mục kiểm tra Trước khi bay

- Đảm bảo đã kiểm tra tất cả các mục sau đây:
- Pin của Bộ điều khiển từ xa và của máy bay đã được sạc đầy.
 - Tất cả các bộ phận ở tình trạng tốt. Thay thế các bộ phận đã lão hóa hoặc gây vớ trước khi bay.
 - Càng đáp và bình thuốc phun được cố định đúng vị trí.
 - Các cánh quạt và tay gắn khung được mở ra và các chốt khóa tay được siết chặt. Các cánh quạt ở tình trạng tốt và được siết chặt. Không có các vật cản trở các động cơ và các cánh quạt.
 - KHÔNG chặn vị trí trên vỏ máy bay, nơi đặt ra-đa hướng lên nằm ở bên dưới.
 - Hệ thống phun không bị tắc nghẽn và hoạt động bình thường.
 - La bàn đã được hiệu chỉnh sau khi có lời nhắc trên ứng dụng.

4. Máy và Cấp độ Bảo vệ Chống Diệt Xâm nhập

Máy bay có khả năng chống nước, chống sét và chống ăn mòn khi hoạt động bình thường. Trong điều kiện phòng thí nghiệm ổn

định, máy bay (không bao gồm pin máy bay thông minh) có cấp độ bảo vệ IP67 (IEC 60529) và có thể được làm sạch bằng một lượng nước nhỏ. Tuy nhiên, cấp độ bảo vệ này không phải là vĩnh viễn và sẽ giảm dần theo thời gian sau khi sử dụng thời gian dài do lão hóa và hao mòn. Chế độ bảo hành sản phẩm không bao gồm các hư hại do nước.

Các cấp độ bảo vệ nêu trên của máy bay có thể suy giảm trong các tình huống sau:

- Có va chạm và cấu trúc bọc kín bị biến dạng.
- Cấu trúc bọc kín của vỏ bị nứt hoặc hư hại.
- Nắp che chống nước không được đóng kín.

5. Vận hành

- Tránh xa các cánh quạt và động cơ đang quay.
- Đảm bảo bay trong phạm vi trọng lượng cất cánh tối đa quy định để tránh những rủi ro tiềm ẩn về an toàn.
- Ứng dụng DJI Agras sẽ xuất trọng lượng thuốc tối đa trong bình phun một cách thông minh theo tình trạng hiện tại và môi trường xung quanh của máy bay. Khi thêm lượng thuốc vào bình phun, trọng lượng tối đa không được vượt quá giá trị khuyến nghị. Nếu không, sự an toàn của chuyến bay có thể bị ảnh hưởng.
- Duy trì tầm nhìn thẳng (VLOS) để quan sát máy bay của bạn tại mọi thời điểm.
- KHÔNG sử dụng Combination Stick Command (Lệnh Điều khiển Kết hợp - CSC) hoặc các phương pháp khác để dừng động cơ khi máy bay đang ở trên không, trừ trường hợp khẩn cấp.
- KHÔNG nghe điện thoại trong khi đang bay. KHÔNG bay khi đang bị ảnh hưởng của cơn ho hoặc thuốc.
- Nếu có cảnh báo pin yếu, hãy hạ máy bay ở một địa điểm an toàn.
- Nếu mô-đun ra-đa không thể hoạt động bình thường trong môi trường liên tục, máy bay sẽ không thể tránh vật cản ở chế độ Return to Home (Tự bay về điểm cất cánh - RTH). Tất cả các yếu tố có thể điều chỉnh là tốc độ bay và độ cao bay, miễn là bộ điều khiển từ xa vẫn được kết nối.
- Sau khi hạ cánh, dừng động cơ, tắt nguồn máy bay và tắt nguồn bộ điều khiển từ xa. Nếu không, máy bay sẽ tự động chuyển về chế độ Failsafe RTH do mất tín hiệu từ bộ điều khiển từ xa.
- Duy trì kiểm soát hoàn toàn máy bay tại mọi thời điểm và không phụ thuộc vào ứng dụng DJI Agras. Chức năng tránh vật cản bị tắt trong một số tình huống nhất định. Giữ máy bay trong tầm nhìn thẳng (VLOS) và chú ý đến đường bay của máy bay. Chủ động điều khiển máy bay và chủ động tránh các vật cản một cách kỹ lưỡng. Rút cần cần đặt độ cao Failsafe và RTH trước mỗi lần bay.

6. Bảo dưỡng và Bảo trì

- KHÔNG dùng các cánh quạt cũ, nứt hoặc vỡ.
- Để tránh làm hư hại cánh đáp, tháo hoặc xả cạn bình thuốc phun khi vận chuyển hoặc khi không sử dụng máy bay.
- Nhiệt độ bảo quản khuyến nghị (khi bình thuốc phun, đồng hồ lưu lượng, bom, và ống rỗng): từ -20° đến 40°C (-4° đến 104°F).
- Làm sạch máy bay ngay sau khi phun thuốc. Định kỳ kiểm tra máy bay. Xem phần Chăm sóc Sản phẩm để biết thêm thông tin về hướng dẫn bảo dưỡng.

7. Tuân thủ Luật và Quy định của Địa phương

- Ban có thể xem danh sách các vùng GEO của DJI™ ở <http://www.dji.com/fliesafe>. Lưu ý rằng các vùng GEO của DJI không thay thế cho các quy định của chính quyền địa phương hoặc cho việc đánh giá đúng đắn tình hình.
- Tránh bay ở độ cao lớn hơn 100m (328ft).*

* Giới hạn độ cao bay tùy thuộc vào các quốc gia hoặc vùng khác nhau. Đảm bảo rằng bay ở độ cao theo luật và quy định của địa phương.



Bay ở Khu vực Thoảng

+



Tín hiệu GNSS mạnh

+

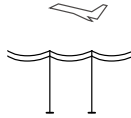


Tầm nhìn thẳng (VLOS)

+



Bay dưới độ cao 100m (328ft)

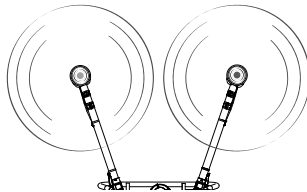


Tránh bay bên trên hoặc gần các đám đông, đường dây điện cao áp, hoặc các vùng nước.

Các nguồn điện trường mạnh như **đường dây điện, trạm viễn thông, và các tòa nhà cao** có thể ảnh hưởng đến la bàn trên máy bay.



KHÔNG sử dụng máy bay trong các điều kiện thời tiết bất lợi như khi tốc độ vượt quá 28km/giờ (17 dặm/giờ), mưa to (lượng mưa vượt quá 25mm (0,98inch) trong 12 giờ), sương mù, tuyết, chớp, hoặc bão lốc.



Tránh xa các cánh quạt và động cơ đang quay.



Các Vùng GEO

Tìm hiểu thêm tại:
<http://www.dji.com/flysafe>

Thông báo

Tất cả các hướng dẫn và các tài liệu liên quan đều có thể được thay đổi theo toàn quyền quyết định của SZ DJI TECHNOLOGY CO., LTD. Để xem thông tin cập nhật của sản phẩm, hãy truy cập <http://www.dji.com> và bấm vào trang của sản phẩm này.

Các thuật ngữ

Các thuật ngữ sau đây được dùng trong các tài liệu về sản phẩm để thể hiện các cấp độ khác nhau của các mối nguy hiểm tiềm tàng khi sử dụng sản phẩm này:

- ĐỀ Y** Các quy trình, nếu không được tuân thủ đúng cách, có thể dẫn đến khả năng hư hại tài sản và nguy cơ thương tích.
- HẠN TRỌNG** Các quy trình, nếu không được tuân thủ đúng cách, sẽ dẫn đến khả năng hư hại tài sản và nguy cơ thương tích nghiêm trọng.
- CẢNH BÁO** Các quy trình, nếu không được tuân thủ đúng cách, sẽ dẫn đến khả năng hư hại tài sản, tổn thất ngoài dự kiến, thương tích nghiêm trọng hoặc gây ra nguy cơ cao về thương tích nghiêm trọng.

CẢNH BÁO

Đọc toàn bộ hướng dẫn người dùng này để tìm hiểu về các tình

năng của sản phẩm này trước khi vận hành. Việc không sử dụng sản phẩm này một cách an toàn và có trách nhiệm có thể dẫn đến hư hại sản phẩm này hoặc hư hại tài sản cá nhân và gây ra thương tích nghiêm trọng. Đây là một sản phẩm phức tạp. Cần phải vận hành cẩn trọng và theo các nguyên tắc phổ biến và yêu cầu phải có năng lực cơ khí cơ bản. Sản phẩm này không dành cho trẻ em. Không sử dụng cùng với các thành phần không tương thích hoặc sửa đổi sản phẩm này theo các cách thức khác với trong tài liệu đã được SZ DJI TECHNOLOGY CO., LTD cung cấp. Những hướng dẫn an toàn này nếu ra được hướng dẫn về an toàn, vận hành và bảo dưỡng. Cần đọc và tuân thủ tất cả các hướng dẫn và cảnh báo nêu trong hướng dẫn người dùng, trước khi lắp đặt, cài đặt hoặc sử dụng, để có thể sử dụng sản phẩm đúng cách và để tránh tổn thất hoặc thương tích nghiêm trọng.

Danh mục kiểm tra Trước khi bay

Đảm bảo đã kiểm tra tất cả các mục sau đây:

1. Chỉ sử dụng các linh kiện chính hãng có tình trạng tốt.
2. Pin của Bộ điều khiển từ xa và của máy bay đã được sạc đầy. Khi sử dụng Pin Thông minh gắn ngoài, vẫn cần phải đảm bảo rằng pin lắp trong hộp sạc điện. Nếu không, sẽ không thể bảo quản đúng cách từ xa.
3. Cảnh quay có tình trạng tốt và được lắp đúng và lắp chặt trên động cơ.
4. Các cánh quạt và tay gắn khung được mở ra và các chốt khóa tay được siết chặt.
5. Động cơ được lắp chặt và khởi động và hoạt động bình thường.
6. Cáp đáp, bình thuốc phun và Pin Bay Thông minh được lắp chặt đúng vị trí.
7. Tất cả các linh kiện được lắp chặt, và cáp được kết nối chắc chắn và đúng cách.
8. Không có gì cản trở các ăng ten D-RTK™, ăng ten OCUSYNC™ hoặc vị trí trên vỏ máy bay nơi ra-da hướng dẫn đặt ở bên dưới.
9. Phần sụn của máy bay và ứng dụng DJI Agra đã được cập nhật lên phiên bản mới nhất.
10. Khu vực bay của bạn nằm ngoài các vùng GEO và điều kiện bay phù hợp với việc bay máy bay.
11. Đảm bảo rằng bạn không bay trong tình trạng bị tác động của cồn, thuốc, hoặc các chất khác có thể làm giảm khả năng nhận thức của bạn.
12. Hãy làm quen với chế độ bay đã chọn và hiểu tất cả các chức năng an toàn và cảnh báo.
13. Đảm bảo tuân thủ tất cả các quy định của địa phương, xin cấp phép phù hợp, và hiểu rõ về các rủi ro. Ban chấp hành trách nhiệm về việc tuân thủ các quy định bay.
14. Ứng dụng DJI Agra được khởi chạy đúng cách để hỗ trợ việc bạn vận hành máy bay. Nếu không có dữ liệu bay do ứng dụng DJI Agra ghi lại và lưu trữ trên bộ điều khiển từ xa của bạn, trong một số tình huống nhất định, ví dụ như khi mất máy bay, DJI không thể hỗ trợ sau bán hàng hoặc không thể chịu trách nhiệm.

Tuyên bố khước từ trách nhiệm và Cảnh báo

Sản phẩm này KHÔNG phải là đồ chơi và không thích hợp cho người dưới 18 tuổi. Người lớn nên để máy bay xa tầm tay trẻ em và KHÔNG vận hành máy bay này khi có mặt trẻ em.

Việc sử dụng sản phẩm này không đúng cách có thể dẫn đến thương tích cá nhân hoặc hư hại tài sản. Đọc các tài liệu liên quan đến sản phẩm trước khi sử dụng sản phẩm lần đầu tiên. Các tài liệu này được đặt trong hộp sản phẩm và có đăng tải trực tuyến trên trang sản phẩm DJI tại <http://www.dji.com>.

Sản phẩm này là máy bay nhiều động cơ dành riêng cho các ứng dụng trong nông nghiệp ở nông trại, trang trại và vườn cây. Máy bay dễ dàng khi ở tình trạng chờ tĩnh trước động cơ nếu dưới đất. Truy cập <https://www.dji.com> để biết các hướng dẫn và cảnh báo mới nhất và <https://www.dji.com/tiysafe> để biết thêm thông tin về an toàn bay và tuân thủ.

Thông tin trong tài liệu này có ảnh hưởng đến an toàn của bạn và quyền và trách nhiệm pháp lý của bạn. Hay đọc kỹ toàn bộ tài liệu này để đảm bảo cấu hình đúng trước khi sử dụng. Việc không đọc kỹ và tuân thủ các hướng dẫn và cảnh báo trong tài liệu này có thể dẫn đến mất mát sản phẩm, thương tích nặng cho bạn, hoặc hư hại máy bay.

Bằng việc sử dụng sản phẩm này, bạn thể bày tỏ chấp nhận rằng bạn đã đọc kỹ tuyên bố khước từ trách nhiệm và hướng dẫn người dùng này và rằng bạn hiểu và đồng ý tuân theo các điều khoản và điều kiện trong tài liệu này. **TRỪ KHI ĐƯỢC NÊU RÕ TRONG CHÍNH SÁCH DỊCH VỤ SAU BÁN HÀNG CỦA DJI ĐƯỢC ĐĂNG TẢI TẠI ([HTTP://WWW.DJI.COM/SERVICE](http://www.dji.com/SERVICE)), SẢN PHẨM VÀ TẤT CẢ CÁC TÀI LIỆU, VÀ CÁC NỘI DUNG CÓ ĐƯỢC NHỜ VÀO SẢN PHẨM ĐƯỢC CUNG CẤP TRÊN CỜ SỞ "NGUYỄN TRANG" VÀ "NHƯ HIỂN CỐ", KHÔNG CÓ BẢO ĐẢM HOẶC ĐIỀU KIỆN DƯỚI BẤT KỲ HÌNH THỨC NÀO, KHÔNG PHÂN BIẾT LÀ CỤ THỂ HAY HẠN Y, DJI KHƯỞC TỪ MỌI HÌNH THỨC BẢO ĐẢM, NGOẠI TRỪ NHƯ ĐÃ NÊU RÕ TRONG CHÍNH SÁCH DỊCH VỤ SAU BÁN HÀNG CỦA DJI, KHÔNG PHÂN BIẾT LÀ CỤ THỂ HAY HẠN Y, LIÊN QUAN ĐẾN SẢN PHẨM, PHỤ KIỆN CỦA SẢN PHẨM, VÀ TẤT CẢ CÁC TÀI LIỆU, BAO GỒM: (A) CÁC BẢO ĐẢM HẠN Y VỀ TÍNH THƯƠNG MẠI, TÍNH CHẤT PHÙ HỢP VỚI MỘT MỤC ĐÍCH CỤ THỂ, QUYỀN SỞ HỮU, QUYỀN SỬ DỤNG ỒN ĐỊNH, HOẶC KHÔNG VI PHẠM; VÀ (B) CÁC BẢO ĐẢM PHÁT SINH TỪ VIỆC GIAO DỊCH, SỬ DỤNG HOẶC BUÔN BÁN. DJI KHÔNG ĐẢM BẢO, HOẶC TRỪ NHƯ ĐÃ NÊU CỤ THỂ TRONG CHÍNH SÁCH BẢO HÀNH HẠN CHẾ DƯỚI, RẰNG SẢN PHẨM, PHỤ KIỆN CỦA SẢN PHẨM, HOẶC CÁC PHẦN CỦA SẢN PHẨM, HOẶC CÁC TÀI LIỆU, SẼ KHÔNG BỊ GIẢN ĐOAN, ĐƯỢC BẢO MẬT, HOẶC KHÔNG CÓ LỖI, VIRUS, HOẶC CÁC THÀNH PHẦN CÓ HẠI, VÀ KHÔNG ĐỀ BẢO RANG CÁC VẤN ĐỀ ĐÓ SẼ ĐƯỢC KHÁC PHỤC.**

KHÔNG KHUYẾN NGHỊ HOẶC THÔNG TIN, KHÔNG PHÂN BIẾT LÀ BẢNG LỖI HAY BẢNG VĂN BẢN, MÀ BẠN CÓ ĐƯỢC TỪ SẢN PHẨM, PHỤ KIỆN CỦA SẢN PHẨM, HOẶC TỪ CÁC TÀI LIỆU SẼ TẠO THÀNH CÁC ĐAM BẢO LIÊN QUAN ĐẾN ĐI HOẶC ĐẾN SẢN PHẨM KHÔNG ĐƯỢC NÊU CỤ THỂ TRONG CÁC ĐIỀU KHOẢN ĐÓ. BẠN PHẢI CHIU MỌI RỦI RO VỀ CÁC THIẾT HẠI CÓ THỂ CÓ TỪ VIỆC BẠN SỬ DỤNG HOẶC TRUY CẬP SẢN PHẨM, PHỤ KIỆN CỦA SẢN PHẨM, VÀ CÁC TÀI LIỆU. BẠN HIỂU VÀ ĐỒNG Ý RẰNG BẠN SỬ DỤNG SẢN PHẨM THEO NHÂN ĐỊNH RIÊNG VÀ CHẤP NHẬN RỦI RO, VÀ RẰNG BẠN HOÀN TOÀN CHỊU TRÁCH NHIỆM VỀ CÁC THƯƠNG TÍCH CÁ NHÂN, TỬ VONG, HƯ HẠI TÀI SẢN CỦA BẠN (BAO GỒM CẢ HỆ THỐNG MÁY TÍNH HOẶC THIẾT BỊ DI ĐỘNG HOẶC PHỤ KIỆN ĐƯỢC DÙNG CÙNG VỚI SẢN PHẨM) HOẶC TÀI SẢN CỦA BÊN THỨ BA, HOẶC VIỆC MẤT MẮT DỮ LIỆU DO VIỆC BẠN SỬ DỤNG HOẶC VIỆC BẠN KHÔNG THỂ SỬ DỤNG SẢN PHẨM. MỘT SỐ KINH VỰC PHÁP LÝ CÓ THỂ CẤM VIỆC KHƯỞC TỪ TRÁCH NHIỆM BẢO ĐẢM VÀ BẠN CÓ THỂ CÓ CÁC QUYỀN KHÁC TỰY VÀO KHU VỰC PHÁP LÝ.

DJI là thương hiệu của SZ DJI TECHNOLOGY CO., LTD. và các công ty liên kết. Tên của các sản phẩm, nhãn hiệu, v.v., xuất hiện trong tài liệu này là các thương hiệu hoặc thương hiệu đã đăng ký của các công ty chủ sở hữu tương ứng.

Gới hạn Trách nhiệm Pháp lý

TRONG MỌI TRƯỜNG HỢP CÁC TỔ CHỨC DJI SẼ KHÔNG CHỊU TRÁCH NHIỆM VỚI BẠN VỀ CÁC TỔN THẤT CỐ TÍNH GIÁN TIẾP, NGẪU NHIÊN, ĐẶC BIỆT, HẬU QUẢ HỒN TRÙNG PHÁT (BAO GỒM CÁC TỔN THẤT DO MẤT LƯU NHỮẬN, THIÊN CHẤT, HOẶC CÁC TỔN THẤT VỚI HÌNH KHÁC) PHÁT SINH TỪ HOẶC LIÊN QUAN ĐẾN VIỆC BẠN TRUY CẬP HOẶC SỬ DỤNG, HOẶC TỬ VONG BẠN KHÔNG THỂ TRUY CẬP HOẶC SỬ DỤNG, SẢN PHẨM, PHỤ KIỆN CỦA SẢN PHẨM, HOẶC CÁC TÀI LIỆU, DỮ LIỆU MÔI TRƯỜNG BAY, KHÔNG

PHÂN BIỆT LÀ DỰA TRÊN CAM ĐOAN, HỢP ĐỒNG, DO SAI SÓT (BAO GỒM CÁ BẤT CÁN), THEO LUẬT ĐỊNH, HOẶC THEO CÁC LÝ THUYẾT PHÁP LÝ KHÁC, VÀ KHÔNG PHÂN BIỆT LÀ CÁC TỐ CHỨC DJI CÓ ĐƯỢC THÔNG BÁO VỀ KHẢ NĂNG TỐN THẤT HAY KHÔNG.

TRỪ TRƯỜNG HỢP CỐ THỈNH NHẤT KHÁC ĐI GIỮA BẠN VÀ DJI, TỔNG MỨC TRÁCH NHIỆM CỦA CÁC TỐ CHỨC DJI VỚI BẠN CHO TẤT CẢ CÁC YẾU CẦU BỒI THƯỜNG PHÁT SINH TỪ HOẶC LIÊN QUAN ĐẾN VIỆC SỬ DỤNG HOẶC VIỆC KHÔNG THỂ SỬ DỤNG PHẦN BẤT KỲ CỦA SẢN PHẨM HOẶC CÁC TRƯỜNG HỢP KHÁC THEO CÁC ĐIỀU KHOẢN ĐÓ, KHÔNG PHÂN BIỆT LÀ THEO HỢP ĐỒNG, DO SAI SÓT, HOẶC CÁC LÝ DO KHÁC, CHỈ GIỚI HẠN Ở \$100.

Lưu trữ và Sử dụng Dữ liệu

Khi bạn sử dụng các ứng dụng di động của chúng tôi hoặc các sản phẩm hoặc phần mềm khác của chúng tôi, bạn có thể cung cấp cho DJI các dữ liệu liên quan đến việc sử dụng và vận hành sản phẩm, ví dụ như dữ liệu bay vĩnh viễn (ví dụ như tốc độ, độ cao, tuổi thọ pin, và thông tin về gimbal và camera) và hồ sơ vận hành. Xem Chính sách Quyền riêng tư DJI (đăng tải tại dji.com/policy) để biết thêm thông tin.

DJI bảo lưu quyền cập nhật tuyên bố khước từ trách nhiệm này và các hướng dẫn an toàn. Truy cập <http://www.dji.com> thường xuyên để biết về phiên bản mới nhất. Tuyên bố khước từ trách nhiệm này được trình bày bằng nhiều ngôn ngữ. Trong trường hợp có sự khác biệt giữa các phiên bản, phiên bản tiếng Anh sẽ được áp dụng.

Trước khi Bạn Bắt đầu

Các tài liệu sau đây được biên soạn để giúp bạn vận hành an toàn và khai thác tối đa máy bay của bạn:

1. Trong hộp
2. Tuyên bố khước từ trách nhiệm và Hướng dẫn an toàn
3. Hướng dẫn sử dụng nhanh
4. Hướng dẫn Người dùng

Kiểm tra tất cả các bộ phận được liệt kê trong tài liệu trong hộp và đọc tuyên bố miễn trừ trách nhiệm và hướng dẫn an toàn trước khi bay. Hoàn thành việc lắp ráp và học các thao tác cơ bản với sự hỗ trợ của hướng dẫn sử dụng nhanh và video hướng dẫn trên website chính thức của DJI (<http://www.dji.com>). Xem hướng dẫn người dùng trên trang web chính thức của DJI để có các thông tin toàn diện. Đảm bảo rằng bạn đã hiểu đầy đủ chức năng của từng linh kiện, các yêu cầu về điều kiện bay, các chức năng và hệ thống cảnh báo tình huống quan trọng cũng như tất cả các quy định của chính quyền trước mỗi chuyến bay. Nếu bạn có các câu hỏi hoặc vấn đề trong khi lắp ráp, báo đường hoặc sử dụng sản phẩm này, hãy liên hệ với DJI hoặc một đại lý uy tín quyền của DJI.

Các Linh kiện Riêng lẻ

Về Các Linh kiện Chính hãng và Chức năng

⚠ CẢNH BÁO

Để tránh trường hợp trục trặc các bộ phận, thương tích nặng và hư hại tài sản, hãy tuân thủ các quy tắc sau:

1. Chỉ sử dụng các linh kiện chính hãng DJI hoặc các linh kiện được DJI chứng nhận. Các linh kiện chưa được phê chuẩn hoặc các linh kiện từ các nhà sản xuất chưa được DJI chứng nhận có thể gây ra lỗi cho hệ thống và ảnh hưởng đến an toàn.
2. Đảm bảo rằng không có các dị vật bên trong máy bay hoặc các thành phần của máy bay, ví dụ như nước, dầu, đất, hoặc cát.
3. Đảm bảo rằng máy bay và các thành phần đều ở điều kiện tốt, không bị hư hại, và hoạt động tốt. Các bộ phận bao gồm, nhưng không giới hạn ở bộ điều khiển từ xa, la bàn, hệ thống động lực, mô-đun ra-đa, và hệ thống pin.

Bộ Điều khiển từ xa

⚠ CẢNH BÁO

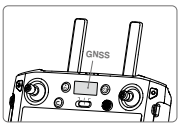
Để tránh trường hợp trục trặc các bộ phận, thương tích nặng và hư hại tài sản, hãy tuân thủ các quy tắc sau:

1. Sử dụng các công kết nối trên bộ điều khiển từ xa theo đúng thông số kỹ thuật của các công.

2. Đảm bảo rằng thiết bị hiển thị trên bộ điều khiển từ xa có kết nối internet (qua Wi-Fi hoặc SIM điện thoại). Nếu không, sẽ không thể tải dữ liệu bay lên máy chủ của DJI và do đó DJI không thể cung cấp dịch vụ sửa chữa báo hành cho bạn và không chịu trách nhiệm về các tổn thất liên quan mà bạn gây ra.

⚠ ĐỂ Ý

1. Đảm bảo rằng bộ điều khiển từ xa được sạc đầy trước mỗi lần bay.
2. Nếu như bộ điều khiển từ xa không được sử dụng trong vòng năm phút trong khi vẫn đang được bật nguồn và không được liên kết với máy bay, bộ điều khiển sẽ phát âm thanh cảnh báo. Sau 10 giây, bộ điều khiển sẽ tự động tắt. Dịch chuyển cần điều khiển hoặc thực hiện một thao tác khác để hủy bỏ cảnh báo.
3. Để đạt được chất lượng truyền phát sóng tối ưu, đảm bảo rằng ăng-ten của bộ điều khiển từ xa đã được mở ra và điều chỉnh đến vị trí đúng.
4. GNSS trong bộ điều khiển từ xa nằm bên trong bộ điều khiển, phía trên lấy gạc chế độ bay, như thể hiện trong hình. Để GNSS hoạt động đúng, đảm bảo rằng GNSS hướng lên trời và không bị che chắn và đặt bộ điều khiển từ xa nằm ngang.



5. Liên hệ với Bộ phận hỗ trợ của DJI để sửa chữa bộ điều khiển từ xa nếu bị hư hại. Ăng-ten bị hư hại sẽ làm giảm hiệu suất đáng kể.
6. Bộ điều khiển từ xa mới thay thế cần phải được liên kết với máy bay. Sau khi liên kết, đảm bảo rằng ực vụ truyền phát sóng có thể đạt tới 300m trước thời gian dài. Xem hướng dẫn người dùng để biết thêm thông tin về hướng dẫn liên kết.
7. Sạc đầy và xả pin lắp trong và pin gắn ngoài của bộ điều khiển từ xa ít nhất một lần mỗi ba tháng.
8. Ngay lập tức sạc pin lắp trong hoặc pin gắn ngoài của bộ điều khiển từ xa khi mức pin giảm xuống 0% để tránh làm hư hại thiết bị do xả pin quá mức trong thời gian dài. Xả pin xuống mức pin từ 40% đến 60% nếu bảo quản trong thời gian dài.
9. Khi liên kết máy bay với một bộ điều khiển từ xa, các linh kiện khác của máy bay với các bộ điều khiển từ xa khác sẽ bị hủy. Theo đó, các máy bay liên kết với một bộ điều khiển từ xa ở chế độ Multi-Aircraft Control (Điều khiển Nhiều Máy bay) chỉ có thể được điều khiển bằng bộ điều khiển từ xa đó. Để kiểm soát một máy bay bằng một bộ điều khiển từ xa khác, máy bay đó phải được liên kết với bộ điều khiển từ xa đó bằng ứng dụng DJI AgraS.
10. KHÔNG che khe thoát khí trên bộ điều khiển từ xa. Nếu không, bộ điều khiển từ xa có thể bị quá nóng, có thể ảnh hưởng đến hiệu suất.
11. KHÔNG che phủ mô-đun rời RTK khi đang sử dụng.

Thân Máy bay

⚠ CẢNH BÁO

Để tránh trường hợp trục trặc các bộ phận, thương tích nặng và hư hại tài sản, hãy tuân thủ các quy tắc sau:

1. Sử dụng các công kết nối trên máy bay theo đúng thông số kỹ thuật của các công.
2. KHÔNG làm đoạn mạch các công kết nối trên thân máy bay.
3. Căn thận khi lắp ráp hoặc làm sạch máy bay, vì thân máy bay có một số linh kiện sắc nhọn.
4. T30: Gấp các cánh tay M3 và M5, sau đó là các cánh tay M2 và M6 và đảm bảo rằng các cánh tay này được lắp vào các kẹp giữ ở cả hai bên của máy bay. Nếu không, các tay có thể bị hư hại. Nâng và hạ nhẹ nhàng các cánh tay M1 và M4 để giảm mài mòn và trầy xước.
T10: Gấp các cánh tay M3 và M4, sau đó là các cánh tay M1 và M2 và đảm bảo rằng các cánh tay này được lắp vào các kẹp giữ ở cả hai bên của máy bay. Nếu không, các tay có thể bị hư hại.
5. Khi sử dụng chức năng RTK, hãy vận hành trong môi trường thoáng không có can nhiễu vô tuyến. KHÔNG che phủ ăng-ten D-RTK khi đang sử dụng.
6. KHÔNG che phủ ăng-ten OcuSync.
7. Khi vận hành vào ban đêm, KHÔNG nhìn trực tiếp vào đèn led để tránh làm tổn thương mắt.

8. KHÔNG chạm hoặc để tay hay thân người tiếp xúc với bộ tản nhiệt khi đang bật nguồn hoặc sau chuyển bay vì chúng có thể nóng.
9. Nếu không sử dụng cổng USB-C, đảm bảo đã đóng nắp che chống nước. Nếu không, nước có thể xâm nhập vào cổng, có thể gây đoản mạch.

Pin Bay

⚠ CẢNH BÁO

Để tránh trường hợp trực trực các bộ phận, thương tích nặng và hư hại tài sản, hãy tuân thủ các quy tắc sau:

1. Chỉ sử dụng pin chính hãng DJI.
2. Điện áp trên máy bay có thể lên đến 58,8V. Đọc hướng dẫn an toàn của pin và thực hiện các biện pháp phòng ngừa cần thiết khi thao tác với pin để đảm bảo an toàn của bạn.
3. KHÔNG té quá nhiều nước vào pin.

La bàn

⚠ THẬN TRỌNG

Để tránh trường hợp trực trực các bộ phận, thương tích nặng và hư hại tài sản, hãy tuân thủ quy tắc sau:

1. Hạ cánh ngay lập tức nếu thấy có biểu hiện trời đất máy bay trong khi đang bay, ví dụ như khi thấy máy bay không bay theo đường thẳng.

⚠ ĐỂ Ý

Hiệu chỉnh la bàn khi ứng dụng nhắc nhở về việc hiệu chỉnh. Tuân thủ các quy tắc sau đây khi hiệu chỉnh la bàn của bạn:

1. Điều quan trọng là phải hiệu chỉnh la bàn. Kết quả hiệu chỉnh sẽ ảnh hưởng đến an toàn bay. Máy bay có thể trực trực nếu la bàn không được hiệu chỉnh.
2. KHÔNG hiệu chỉnh la bàn nếu ở khu vực can nhiễu từ trường mạnh. Các khu vực như vậy bao gồm khu vực có cột điện hoặc tường vách có thép.
3. KHÔNG cầm giữ các vật liệu hoặc vật dụng có tính sắt từ, ví dụ như chìa khóa hoặc điện thoại di động, trong khi hiệu chỉnh la bàn.
4. Nếu đèn chỉ thị trạng thái của máy bay nhấp nháy, việc hiệu chỉnh la bàn đã thất bại. Vui lòng hiệu chỉnh lại.
5. Sau khi hiệu chỉnh thành công, la bàn có thể có dấu hiệu bất thường nếu bạn đặt máy bay trên mặt đất. Điều này là vì can nhiễu từ trường ngầm. Di chuyển máy bay sang vị trí khác và thử lại.

Hệ thống Động lực

⚠ CẢNH BÁO

Để tránh thương tích nghiêm trọng cho chính bạn hoặc cho người khác, có thể gây ra bởi các cánh quạt và động cơ đang quay, tuân thủ các quy tắc sau đây:

Cánh quạt

1. Kiểm tra xem các cánh quạt có ở tình trạng tốt trước mỗi lần bay hay không. Thay thế các cánh quạt cũ, nứt, hoặc gãy vỡ.
2. Tất cả nguồn máy bay trước khi chạm vào các cánh quạt.
3. Chú ý đến các cạnh sắc của cánh quạt khi tháo hoặc lắp cánh quạt.
4. Đảm bảo rằng các cánh quạt đã được mở ra và siết chặt trước mỗi lần bay.
5. Tránh xa các cánh quạt và động cơ đang quay để phòng ngừa thương tích.

Động cơ

1. Đảm bảo rằng các động cơ được lắp chặt và quay êm ái.
2. KHÔNG tìm cách sửa đổi cấu trúc của động cơ.
3. KHÔNG chạm hoặc để tay hoặc thân người tiếp xúc với động cơ sau khi bay vì động cơ có thể nóng.

⚠ THẬN TRỌNG

Để tránh trường hợp trực trực các bộ phận, thương tích nặng và hư hại tài sản, hãy tuân thủ các quy tắc sau:

1. KHÔNG chặn các lỗ thông khí trên động cơ.

⚠ ĐỂ Ý

1. Đảm bảo động cơ không bị bụi bám.
2. Nếu một động cơ bị kẹt và không thể quay tự do, thực thi CSC để dừng các động cơ ngay lập tức.
3. Đảm bảo rằng động cơ phát ra âm thanh bình thường khi khởi động.

Hệ thống Pin

⚠ CẢNH BÁO

Để tránh trường hợp trực trực các bộ phận, thương tích nặng và hư hại tài sản, hãy tuân thủ các quy tắc sau:

Sử dụng Thuốc trừ sâu

1. Hạn chế tối đa việc sử dụng thuốc trừ sâu dạng bột, vì thuốc dạng bột có thể làm giảm tuổi thọ của hệ thống phun.
2. Thuốc trừ sâu có độc tính, và gây ra các rủi ro nghiêm trọng về an toàn. Tuân thủ chặt chẽ hướng dẫn kỹ thuật khi sử dụng thuốc.
3. Thuốc trừ sâu tồn dư trên thiết bị do bắn ra ngoài hoặc tràn khi rót và trộn thuốc trừ sâu có thể gây kích ứng da của bạn. Hãy nhớ làm sạch thiết bị sau khi trộn thuốc trừ sâu.
4. Sử dụng nước sạch để pha thuốc trừ sâu và lọc hỗn hợp thuốc đã pha trước khi đổ vào bình thuốc phun để tránh làm tắc nghẽn bộ lọc. Loại bỏ các chỗ tắc nghẽn trước khi sử dụng thiết bị.
5. Đảm bảo luôn đứng ở vị trí đầu gió khi phun thuốc trừ sâu để tránh các tác hại đến cơ thể.
6. Mặc quần áo bảo hộ để phòng tránh tiếp xúc cơ thể trực tiếp với thuốc trừ sâu. Xả sạch tay và da sau khi xử lý thuốc trừ sâu. Rửa sạch máy bay và bộ điều khiển từ xa sau khi phun thuốc trừ sâu.
7. Hiệu quả của việc sử dụng thuốc trừ sâu phụ thuộc vào nồng độ thuốc trừ sâu, tốc độ phun, khoảng cách phun, tốc độ máy bay, tốc độ gió, hướng gió, nhiệt độ, và độ ẩm. Xem xét tất cả các yếu tố khi sử dụng thuốc trừ sâu, nhưng KHÔNG làm ảnh hưởng đến an toàn của người, động vật hoặc môi trường khi sử dụng thuốc trừ sâu.
8. KHÔNG làm ô nhiễm sông và các nguồn nước uống.

Đầu phun

1. Tránh sử dụng các loại thuốc trừ sâu không hòa tan, ví dụ như dạng bột ướt.
2. Đầu phun là linh kiện tinh xảo. Làm sạch đầu phun ngay sau khi sử dụng.
3. KHÔNG uốn cong ống quá bán kính cong tối thiểu của ống. Điều này là để tránh ống bị gấp, làm suy giảm hiệu quả phun thuốc.
4. Đảm bảo siết chặt ốc của ống để tránh rò rỉ chất lỏng.

Bình thuốc phun

1. Đảm bảo rằng bình thuốc phun được cố định đúng vị trí để tránh rò rỉ chất lỏng.
2. Tái trong bình phun không được vượt quá giá trị tối đa quy định. Tham khảo thông số kỹ thuật của từng model máy bay để biết thêm thông tin.

Hệ thống ra-da cảm nhận hình cầu

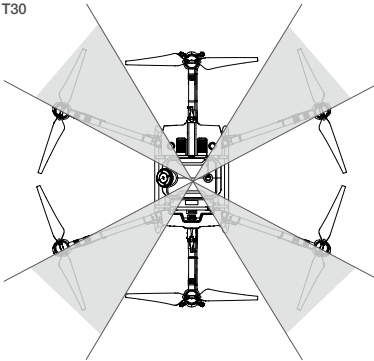
⚠ CẢNH BÁO

Để tránh trường hợp trực trực các bộ phận, thương tích nặng và hư hại tài sản, hãy tuân thủ các quy tắc sau:

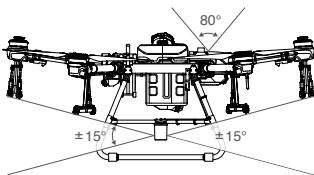
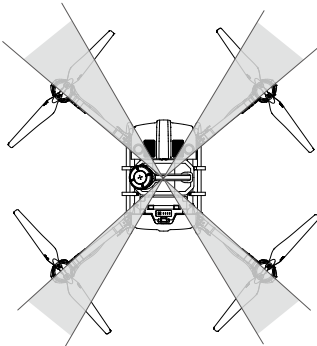
1. KHÔNG chạm hoặc để tay hoặc thân người tiếp xúc với các bộ phận kim loại của mô-đun ra-da khi đang bật nguồn hoặc ngay sau chuyển bay vì các bộ phận này có thể nóng.
2. Duy trì kiểm soát hoàn toàn máy bay tại mọi thời điểm và không phụ thuộc vào ứng dụng DJI Agras. Duy trì máy bay trong tầm nhìn thẳng (VLOS) tại mọi thời điểm. Chủ động điều khiển máy bay để tránh các vật cản.

3. Như minh họa trong hình dưới đây, ra-đa kỹ thuật số đa hướng có phạm vi phát hiện chướng ngại vật theo phương ngang là 360° và phạm vi phát hiện chướng ngại vật theo phương đứng là $\pm 15^\circ$ trong khi phạm vi về cự ly phát hiện là 1,5 đến 30 m. Lưu ý rằng máy bay không thể phát hiện các chướng ngại vật không nằm trong phạm vi phát hiện. Hãy thận trọng khi bay. Với bốn vùng màu xám trong hình, hiệu quả phát hiện của mô-đun ra-đa có thể bị suy giảm, do bị cánh tay gắn khung và càng đáp cản trở. Hãy thận trọng khi bay. Cự ly phát hiện hiệu quả phụ thuộc vào kích thước và tiết diện của vật cản. Khi phát hiện các vật thể như các tòa nhà có tiết diện ra-đa (radar cross section, RCS) lớn hơn -5 dBsm, cự ly phát hiện hiệu quả khoảng 20 m đến 30 m. Khi phát hiện các vật thể như đường dây điện có RCS bằng -10 dBsm, cự ly phát hiện hiệu quả là khoảng 15 m. Khi phát hiện các vật thể như cành cây khô có RCS bằng -15 dBsm, cự ly phát hiện hiệu quả là khoảng 10 m. Chức năng tránh vật cản có thể trực tiếp hoặc không chính xác ở các khu vực bên ngoài cự ly phát hiện hiệu quả.
4. Khi lắp ra-đa kỹ thuật số đa hướng, hãy đảm bảo đầu mũi tên chỉ về phía trước của máy bay.

T30



T10



ĐỂ Ý

1. Tuân thủ các luật và quy định của địa phương về truyền phát sóng radio.
2. Độ nhạy của mô-đun ra-đa có thể bị suy giảm nếu có nhiều máy bay cùng hoạt động trong cự ly gần. Hãy vận hành thận trọng.
3. Chức năng tránh vật cản bị tắt trong chế độ Attitude (bay duy trì độ cao).
4. KHÔNG tháo rời các linh kiện của mô-đun ra-đa đã được lắp đặt trước khi xuất kho.
5. Mô-đun ra-đa là một thiết bị chính xác. KHÔNG bóp, gõ, hoặc đập mô-đun ra-đa.

Ra-đa kỹ thuật số đa hướng

1. Trước khi sử dụng, hãy đảm bảo rằng mô-đun ra-đa sạch sẽ và bảo vệ bên ngoài không bị nứt, vỡ, co ngót hoặc biến dạng.
2. Chức năng tránh vật cản bị ảnh hưởng bất lợi do sự cản trở của thân máy bay nếu độ nghiêng của máy bay vượt quá 15° . Bay chậm và thận trọng.
3. Mô-đun ra-đa cho phép máy bay duy trì một khoảng cách cố định với cây cối trong phạm vi hoạt động. Quan sát khoảng cách từ máy bay đến cây cối trong mọi thời điểm.
4. Khi phát hiện các vật thể có độ nghiêng đứng lớn hơn 5° , ví dụ như một đường dây nghiêng hoặc cột điện bị nghiêng, độ nhạy của mô-đun ra-đa có thể suy giảm. Hãy thận trọng khi bay.
5. Vận hành cẩn trọng hơn khi bay trên các mặt phẳng nghiêng. Độ nghiêng tối đa khuyến nghị ở các tốc độ máy bay khác nhau: 10° ở 1 m/s, 6° ở 3 m/s, và 3° ở 5 m/s.
6. Hạ máy bay xuống bề mặt bằng phẳng để tránh hư hại mô-đun ra-đa do các vật thể nhỏ lên.

Ra-đa hướng lên

1. KHÔNG chặn vị trí trên hoặc dưới của máy bay, nơi đặt ra-đa hướng lên nằm ở bên dưới. Nếu không, việc tránh chướng ngại vật hướng lên có thể bị ảnh hưởng.
2. Đảm bảo vị trí trên hoặc dưới của máy bay nơi đặt ra-đa hướng lên nằm ở bên dưới không bị nứt, sứt mẻ hoặc biến dạng. Nếu không, việc tránh chướng ngại vật hướng lên có thể bị ảnh hưởng.

Phần sun

⚠ CẢNH BÁO

Để tránh trường hợp trực tác các bộ phận, thương tích nặng và hư hại tài sản, hãy tuân thủ quy tắc sau:

1. Đảm bảo người khác và động vật tránh xa máy bay trong thời gian cập nhật phần sun, hiệu chỉnh hệ thống, và cài đặt tham số.

ĐỂ Ý

1. Để đảm bảo an toàn, luôn cập nhật phiên bản phần sun mới nhất.
2. Chỉ sử dụng phần sun chính thức của DJI.
3. Đảm bảo đã cập nhật phần sun của bộ điều khiển từ xa lên phiên bản mới nhất sau khi cập nhật phần sun của máy bay.
4. Độ điều khiển từ xa có thể mất liên kết với máy bay sau khi cập nhật. Liên kết lại bộ điều khiển từ xa và máy bay.
5. Đảm bảo đã kiểm tra tất cả các kết nối và tháo cảnh quạt ra khỏi động cơ trong khi thực hiện cập nhật phần sun.

Ứng dụng DJI Agras

ĐỂ Ý

1. Đảm bảo đã sạc đầy các pin của bộ điều khiển từ xa trước khi khởi chạy ứng dụng DJI Agras.
2. Đọc kỹ toàn bộ các hướng dẫn an toàn, thông tin cảnh báo và tuyên bố khước từ trách nhiệm. Làm quen với các quy định liên quan của khu vực của bạn. Bạn chịu mọi trách nhiệm về việc tìm hiểu các quy định liên quan và bay theo cách thức phù hợp. Hãy đảm bảo luôn chú ý trong các tình huống sau đây:
 - a. Sử dụng chức năng tự động cất cánh và tự động hạ cánh.
 - b. Cài đặt độ cao bay lớn hơn giới hạn mặc định.
3. Hạ cánh máy bay ngay lập tức nếu có lời nhắc xuất hiện trên ứng dụng.
4. Kiểm tra tất cả các thông tin cảnh báo trên danh sách trang thái máy bay được hiển thị trên ứng dụng trước mỗi lần bay.

5. Lưu trước dữ liệu bản đồ của khu vực bạn muốn vận hành máy bay bằng cách kết nối với Internet trước mỗi lần bay.

Mô-đun rời 4G

ĐỂ Ý

- Cần phải có một mô-đun rời và SIM điện thoại để dùng một số tính năng sản phẩm trên ứng dụng DJI Agras và người dùng sẽ phải thanh toán chi phí phụ trội.
- Đảm bảo luôn dùng một mô-đun rời đã được DJI phê chuẩn.
- DJI không chịu trách nhiệm về các tai nạn gây ra bởi việc mất dữ liệu người dùng hoặc máy bay trực tiếp phát sinh từ việc sử dụng mô-đun rời của bên thứ ba và SIM điện thoại.
- Chỉ sử dụng các SIM điện thoại tương thích với mô-đun rời.
- Đảm bảo rằng bạn đã lắp đặt mô-đun rời và SIM điện thoại đúng cách. Nếu không, các chức năng liên quan sẽ không hoạt động.

Chăm sóc Sản phẩm

Bảo quản và Vận chuyển

⚠ CẢNH BÁO

Để tránh trường hợp trực trực các bộ phận, thương tích nặng và hư hại tài sản, hãy tuân thủ các quy tắc sau:

- Các linh kiện nhỏ, như cáp và dây buộc, gây ra nguy hiểm nếu nuốt phải. Đảm bảo tất cả các linh kiện ở xa tầm với của trẻ em và động vật.
- Đảm bảo đã tháo pin ra khỏi máy bay trong quá trình vận chuyển.
- Tháo hoặc xả bình thuốc phun khi vận chuyển hoặc khi không sử dụng máy bay để tránh làm hư hại cồng đáp. Bảo quản máy bay ở nơi khô và mát.

Bảo dưỡng

⚠ CẢNH BÁO

Để tránh trường hợp trực trực các bộ phận, thương tích nặng và hư hại tài sản, hãy tuân thủ các quy tắc sau:

- Làm sạch tất cả các bộ phận của máy bay vào cuối mỗi ngày phun thuốc sau khi máy bay ở trạng thái nhiệt độ bình thường. KHÔNG làm sạch máy bay ngay sau khi hoàn thành các vận hành.
- Để đầy nước sạch hoặc nước xả phòng vào bình thuốc phun và phun nước qua vòi phun cho đến khi cạn bình. Lặp lại thao tác này hai lần nữa.
- Bảo hành thuốc phun và đầu nối bình thuốc phun để làm sạch (chỉ áp dụng với T10). Tháo lưới lọc bình thuốc phun, lưới lọc đầu phun, và đầu phun để làm sạch và loại bỏ cặn bẩn. Sau đó, ngâm trong nước sạch trong vòng 12 giờ.
- Đảm bảo rằng cấu trúc của máy bay được kết nối hoàn toàn để có thể rửa trực tiếp bằng nước. Nên dùng bình xịt chứa đầy nước để làm sạch thân máy bay và lau bằng bàn chải mềm hoặc khăn ướt trước khi loại bỏ cặn nước bằng khăn khô.
- Nếu có bụi hoặc thuốc trừ sâu trên động cơ, cánh quạt hoặc bộ tản nhiệt, hãy lau sạch bằng khăn ướt trước khi lau sạch cặn nước còn lại bằng khăn khô.
- Bảo quản máy bay đã được làm sạch ở nơi khô ráo.
- Dùng khăn ướt sạch để vắt khô nước để lau bề mặt và màn hình của bộ điều khiển từ xa sau mỗi lần vận hành.
- Kiểm tra máy bay sau mỗi 100 lần bay hoặc sau khi bay trên 20 tiếng:
 - Kiểm tra và thay thế cánh quạt mới.
 - Kiểm tra xem cánh quạt có bị lỏng không. Thay thế cánh quạt và vòng đệm cánh quạt nếu cần thiết.
 - Kiểm tra xem bộ phận nhựa hoặc cao su bị lão hóa không.
 - Kiểm tra xem vòi phun có bị giảm hiệu quả tạo hạt phun không. Làm sạch vòi phun hoặc thay thế vòi phun.
 - Thay thế bộ lọc vòi phun và bộ lọc bình thuốc phun.
- KHÔNG cố gắng sửa chữa máy bay. Liên hệ Bộ phận hỗ trợ DJI hoặc đại lý ủy quyền của DJI nếu các linh kiện bị hư hại.

ĐỂ Ý

- Đảm bảo nắp bảo vệ của mô-đun ra-đa luôn sạch sẽ. Làm sạch bề mặt bằng khăn mềm ẩm và để tự khô trước khi tiếp tục sử dụng.
- Đảm bảo camera FPV luôn sạch sẽ. Trước hết, loại bỏ các vết bẩn hoặc cát, sau đó lau thấu kính bằng khăn mềm sạch để loại bỏ bụi và các vết bẩn.
- Trong trường hợp máy bay bị rơi hoặc va chạm, đảm bảo đã kiểm tra kỹ lưỡng toàn bộ các linh kiện của máy bay và tiến hành các công việc sửa chữa và thay thế cần thiết trước khi thực hiện chuyển bay tiếp theo. Nếu bạn có các vấn đề hoặc câu hỏi, hãy liên hệ Bộ phận hỗ trợ DJI hoặc đại lý ủy quyền của DJI.

Các Yêu cầu về Điều kiện Bay

Điều kiện Thời tiết và Môi trường Xung quanh

⚠ CẢNH BÁO

Máy bay được thiết kế để hoạt động trong điều kiện từ bình thường đến tốt. Để tránh va chạm, thương tích nghiêm trọng, hư hại tài sản và nguy cơ đến sức khỏe, hãy tuân thủ các quy tắc sau:

- KHÔNG sử dụng máy bay trong các điều kiện thời tiết bất lợi như khi tốc độ gió vượt quá 28km/giờ (17 dặm/giờ), mưa to (lượng mưa vượt quá 25mm (0,98inch) trong 12 giờ), tuyết, hoặc sương mù.
- Đề nghị người cao nguy cơ đối với sức khỏe của những người xung quanh và để đảm bảo phong thủy hiệu quả, vận hành máy bay để phong thủy trong điều kiện tốc độ gió thấp hơn 18km/giờ (11 dặm/giờ).
- Đảm bảo máy bay cách ít nhất 10m (30ft) so với các vật cản, người, động vật, công trình, cơ sở hạ tầng công cộng, và các vùng nước trong khi bay. Khi độ cao bay của máy bay tăng lên, giữ khoảng cách xa hơn so với những vật thể hoặc vật cản nêu trên.
- KHÔNG bay cao quá 4,5km (14.763ft) so với mực nước biển.
- Ứng dụng DJI Agras sẽ để xuất trong lượng thuốc tối đa trong bình phun một cách thông minh theo tình trạng hiện tại và môi trường xung quanh của máy bay. Khi thêm lượng thuốc vào bình phun, trong lượng tối đa không được vượt quá giá trị khuyến nghị. Nếu không, sự an toàn của chuyến bay có thể bị ảnh hưởng.
- KHÔNG sử dụng các phần của máy bay ở trong nhà.

ĐỂ Ý

- Hiệu suất của máy bay và pin phụ thuộc vào các yếu tố môi trường, ví dụ như mật độ không khí và nhiệt độ.
 - Cần cần thận khi bay ở độ cao 2km (6.560ft) hoặc hơn so với mực nước biển vì hiệu suất của pin và máy bay có thể bị suy giảm.
- KHÔNG sử dụng máy bay gần nơi các vụ tai nạn, hỏa hoạn, nổ, lũ lụt, sóng thần, lũ tuyết, lũ đất, động đất, bão bụi, hoặc bão cát.
- Ở các môi trường nhiệt độ thấp (từ 32° đến 50°F (0° đến 10°C)), đảm bảo rằng pin bay đã được sạc đầy và giảm khối lượng công tác của máy bay. Nếu không, an toàn bay hoặc giới hạn cất cánh sẽ bị ảnh hưởng.

Can nhiễu với Bộ Điều khiển Bay và Giao tiếp

ĐỂ Ý

- Bay ở khu vực thoáng. Các công trình cao, các cấu trúc thép, núi, đá, hoặc rừng có thể ảnh hưởng đến độ chính xác của la bàn trên máy bay và chặn tín hiệu GNSS và tín hiệu của bộ điều khiển từ xa.
- Tránh sử dụng các thiết bị không dây có cùng dải tần số với bộ điều khiển từ xa.
- Độ nhay của mô-đun ra-đa có thể bị suy giảm nếu có nhiều máy bay cùng hoạt động trong cự ly gần. Hãy vận hành thận trọng.
- Khi sử dụng nhiều máy bay, bao gồm T30, T10 và các máy bay khác, hãy đảm bảo rằng khoảng cách giữa các máy bay lớn hơn 10 m để tránh bị nhiễu.
- Để tránh can nhiễu, không vận hành qua ba nhóm máy bay trong bán kính 50m khi sử dụng chức năng Multi-Aircraft Control (Điều khiển Nhiều Máy bay).
- Cần chú ý khi bay gần các khu vực có can nhiễu từ trường hoặc sóng vô tuyến. Các khu vực này bao gồm, nhưng không giới hạn ở các đường dây cao áp, trạm phát sóng công suất lớn hoặc trạm viễn thông di động, và các tháp phát sóng. Nếu không đảm bảo được điều này, chất lượng truyền phát sóng của thiết bị có thể bị suy giảm, hoặc có thể dẫn đến lỗi truyền phát làm ảnh hưởng độ chính xác của việc dẫn hướng và định vị máy bay. Máy bay có thể hoạt động bất thường hoặc bị mất điều khiển ở những khu vực có can nhiễu quá mạnh.

- Nếu mô-đun rời RTK được sử dụng để lập kế hoạch ruộng phun, nên tháo mô-đun rời ra khỏi bộ điều khiển từ xa sau khi lập kế hoạch xong. Nếu không, hiệu quả truyền phát tín hiệu của bộ điều khiển từ xa sẽ bị ảnh hưởng.

Vận hành Máy bay Có trách nhiệm

⚠ CẢNH BÁO

Để tránh trường hợp trục trặc các bộ phận, thương tích nặng và hư hại tài sản, hãy tuân thủ các quy tắc sau:

- Đảm bảo rằng bạn không bị ảnh hưởng của cồn, thuốc, hoặc chất gây mê, hay đang bị chóng mặt, mệt mỏi, buồn nôn, hoặc các tình trạng khác, cho dù là về sinh lý hay tâm lý, có thể làm suy giảm khả năng vận hành máy bay an toàn.
- KHÔNG dừng động cơ trong khi đang bay trừ khi trong tình huống khẩn cấp nếu như việc đó có thể làm giảm nguy cơ hư hỏng hoặc nguy cơ gây chấn thương.
- Sau khi hạ cánh, tắt nguồn máy bay, và sau đó tắt nguồn bộ điều khiển từ xa.
- KHÔNG thả rọi, phóng, bắn hoặc đưa các vật nguy hiểm lên trên hoặc vào các công trình, con người, động vật, hoặc có thể gây thương tích cá nhân hoặc hư hại tài sản.

ĐỀ Ý

- Đảm bảo rằng bạn đã được huấn luyện đầy đủ và có kế hoạch ứng phó với các tình huống khẩn cấp hoặc ứng phó khi có tai nạn xảy ra.
- Đảm bảo rằng bạn đã có một kế hoạch bay và KHÔNG bay một cách bất cẩn.
- KHÔNG sử dụng sản phẩm này cho các mục đích phi pháp hoặc không phù hợp, ví dụ như hoạt động gián điệp, hoạt động quân sự, hoặc điều tra bất hợp pháp.
- KHÔNG sử dụng sản phẩm này để bôi nhọ, lạm dụng, quấy rối, đe dọa, đe dọa, hoặc xâm phạm các quyền hợp pháp của người khác, ví dụ như quyền riêng tư và công khai.
- KHÔNG bay vào bất động sản cá nhân của người khác.

Các Chế độ Bay, Chế độ Hoạt động, Chức năng và Cảnh báo

Các Chế độ Bay

ĐỀ Ý

P-mode (Positioning - Định vị): Máy bay sử dụng GNSS hoặc mô-đun rời RTK để định vị. Khi tín hiệu GNSS mạnh, máy bay sử dụng GNSS để định vị. Khi mô-đun RTK được bật và truyền phát dữ liệu sai phân mạnh, máy bay có thể định vị ở cấp độ centimet. Máy bay sẽ chuyển sang A-mode khi tín hiệu GNSS yếu hoặc khi la bàn bị can nhiễu.

Máy bay sẽ mặc định bay ở chế độ P-mode.

A-mode (Attitude - Bay Duy trì Độ cao): GNSS không được dùng để định vị và máy bay chỉ duy trì độ cao bằng khí áp kế. Tốc độ bay ở chế độ A-mode phụ thuộc vào môi trường xung quanh, ví dụ như tốc độ gió.

Ở chế độ A-mode, máy bay không thể tự định vị và chịu ảnh hưởng của môi trường xung quanh, có thể dẫn đến lệch vị trí theo phương ngang. Dùng bộ điều khiển từ xa để định vị máy bay.

Có thể gặp khó khăn khi điều khiển máy bay ở chế độ A-mode. Tránh bay ở các không gian hạn chế hoặc ở các khu vực tín hiệu GNSS yếu. Nếu không, máy bay sẽ chuyển sang chế độ A-mode, dẫn đến nhiều rủi ro bay. Hạ cánh máy bay ở nơi an toàn ngay khi có thể.

Chế độ Hoạt động

⚠ CẢNH BÁO

Để tránh trường hợp trục trặc các bộ phận, thương tích nặng và hư hại tài sản, hãy tuân thủ các quy tắc sau:

- Đảm bảo rằng bạn đã hiểu rõ hành vi của máy bay trong mỗi chế độ hoạt động trước khi sử dụng.

- Tránh xa các vật cản gần tuyến hoạt động. Duy trì tầm nhìn thẳng với máy bay và quan sát tình trạng của máy bay tại mọi thời điểm.
- Chỉ vận hành máy bay ở chế độ Route hoặc A-B Route Operation khi có tín hiệu GNSS mạnh.

Failsafe and Return to Home (Tự bay về điểm cất cánh - RTH)

ĐỀ Ý

- RTH sẽ không hoạt động nếu tín hiệu GNSS yếu hoặc không có.
- Các tòa nhà cao có thể tác động tiêu cực đến RTH. Do đó, điều quan trọng là cài đặt độ cao failsafe phù hợp trước mỗi lần bay. Điều chỉnh vị trí, độ cao và tốc độ máy bay trong khi bay trở về điểm cất cánh để tránh các vật cản khi có tín hiệu mạnh từ bộ điều khiển từ xa.
- Đảm bảo luôn bay máy bay trong phạm vi phát sóng của bộ điều khiển từ xa.
- Chỉ sử dụng RTH trong các tình huống khẩn cấp, vì chức năng này có thể bị ảnh hưởng bởi thời tiết, môi trường, và các vùng từ trường gần đó.
- Nếu có vật cản trong phạm vi 20 m so với máy bay, thì máy bay sẽ giảm tốc và sau đó dừng lại và bay treo. Máy bay sẽ thoát khỏi quy trình RTH và đợi lệnh tiếp theo.
- Nếu quy trình RTH được kích hoạt trong quá trình vận hành Tuyến bay, thì máy bay có thể lập kế hoạch đường bay cho RTH để vượt qua các chướng ngại vật được thêm vào khi lập kế hoạch thực địa.

Pin Yếu

ĐỀ Ý

- Khi cảnh báo mức pin thấp được kích hoạt và máy bay đang tự động giảm độ cao, hãy cần điều khiển ga lên để duy trì độ cao và lái máy bay về một địa điểm phù hợp để hạ cánh.
- Khi cảnh báo pin được bật lên, ngay chóng đưa máy bay về Home Point (Điểm Cất cánh) hoặc hạ cánh để tránh mất nguồn điện trong khi bay và gây ra tổn thất cho máy bay, tài sản, động vật hoặc con người.

Xả Bình

ĐỀ Ý

- Một lời nhắc xuất hiện trên ứng dụng DJI Agras và máy bay sẽ bay treo tại chỗ khi bình thuốc phun cạn. Ở các chế độ hoạt động Route, A-B Route, và Manual Plus Operation, máy bay cũng có thể được cài đặt để tăng độ cao hoặc bay về điểm cất cánh thay vì bay treo. Xem hướng dẫn người dùng để biết thêm thông tin về các chế độ hoạt động.

Tuân thủ Các Quy định & Giới hạn Bay

Các Quy định

⚠ CẢNH BÁO

Để tránh các hành vi vi phạm, thương tích nặng, và hư hại tài sản, hãy tuân thủ các quy tắc sau:

- KHÔNG chỉnh sửa máy bay hoặc sử dụng máy bay cho các mục đích không phải nông nghiệp.
- KHÔNG sử dụng máy bay gần các máy bay có người lái bất kể độ cao bay. Nếu cần thiết, hạ cánh ngay lập tức.
- KHÔNG vận hành máy bay ở các khu vực có các sự kiện lớn đang được tổ chức, bao gồm nhưng không giới hạn bởi các sự kiện thể thao và âm nhạc.
- KHÔNG vận hành máy bay ở các khu vực cấm theo luật của địa phương.
- Tránh xa và KHÔNG can thiệp hoạt động của máy bay có người lái. Nhận biết và tránh các máy bay khác và vật cản trong mọi thời điểm.

THẬN TRỌNG

Để tránh các hành vi vi phạm, thương tích nặng, và hư hại tài sản, hãy tuân thủ các quy tắc sau:

1. KHÔNG vận hành máy bay gần hoặc bên trong các khu vực cấm theo luật và quy định của địa phương. Các khu vực cấm bao gồm, nhưng không giới hạn ở sân bay, biên giới giữa hai quốc gia hoặc vùng chủ quyền, các thành phố lớn, và các khu vực có các sự kiện hoặc hoạt động đang được tổ chức. Chú ý rằng danh sách các khu vực cấm được cập nhật liên tục.
2. KHÔNG vận hành máy bay cao hơn độ cao được phép.
3. Đảm bảo luôn duy trì máy bay trong tầm nhìn thẳng, và có người quan sát để hỗ trợ nếu cần thiết.
4. KHÔNG sử dụng máy bay để vận chuyển các hàng hóa phi pháp hoặc nguy hiểm.

ĐỀ Ý

1. Đảm bảo rằng bạn hiểu bản chất của hoạt động bay của bạn (ví dụ như để giải trí, mục đích công cộng, hoặc mục đích thương mại) và đã có được các thủ tục phê duyệt và cấp phép của các cơ quan chính phủ liên quan trước khi bay. Tham vấn cơ quan quản lý địa phương để biết về các định nghĩa đầy đủ và các yêu cầu cụ thể. Truy cập <https://www.dji.com> để biết các hướng dẫn và cảnh báo mới nhất và <https://www.dji.com/fliesafe> để biết thêm thông tin về an toàn bay và tuân thủ. Lưu ý rằng máy bay điều khiển từ xa có thể bị cấm thực hiện các hoạt động thương mại ở một số quốc gia và khu vực. Kiểm tra và tuân thủ các luật và quy định của địa phương trước khi bay vì các quy định đó có thể khác với các nội dung trong tài liệu này.
2. KHÔNG bay xung quanh các cơ sở hạ tầng hoặc khu vực nhạy cảm như nhà máy điện, nhà máy xử lý nước, trại giam, đường bộ đông đúc, cơ quan chính phủ và khu quân sự.

Các Giới hạn Bay

ĐỀ Ý

DJI nhấn mạnh an toàn trong khi bay, và do đó đã phát triển nhiều biện pháp hỗ trợ để giúp người dùng tuân thủ các quy tắc và quy định của địa phương trong khi bay. Chúng tôi đề nghị bạn cập nhật phần sun lên phiên bản mới nhất để đảm bảo rằng các tính năng sau đây được cập nhật đầy đủ:

Các Vùng GEO

1. Tất cả các vùng GEO được đăng tải trên website chính thức của DJI tại <http://www.dji.com/fliesafe>. Các vùng GEO được chia thành các nhóm khác nhau, và bao gồm, nhưng không giới hạn ở, các địa điểm như sân bay, bãi bay nơi có máy bay có người lái hoạt động ở độ cao thấp, biên giới giữa hai quốc gia hoặc khu vực có chủ quyền, các địa điểm nhạy cảm như nhà máy điện, và các khu vực nơi đang diễn ra các sự kiện lớn.
2. Các giới hạn bay thay đổi tùy theo khu vực. Tùy thuộc vào giới hạn của từng khu vực, các cảnh báo có thể xuất hiện trên ứng dụng DJI AGRAS, việc cất cánh có thể bị cấm, độ cao bay có thể bị giới hạn, hoặc máy bay có thể tự động thực hiện các thao tác như tự động hạ cánh.
3. Các chức năng liên quan đến thao tác bay sẽ bị ảnh hưởng ở mức độ nhất định khi máy bay ở gần hoặc ở trong một vùng GEO. Khi ở gần hoặc ở trong một vùng GEO, máy bay có thể bay chậm lại, có thể không tạo được nhiệm vụ bay, hoặc một nhiệm vụ bay đang tiến hành có thể bị gián đoạn. Lưu ý rằng các tác động không chỉ giới hạn ở các nội dung nêu trên.

Giới hạn Độ cao

1. Không bay cao hơn độ cao 100m (328ft) so với mặt đất và tránh xa các vật cản xung quanh.

Giới hạn Cự ly

1. Cự ly bay tối đa là 1km (0,62 dặm) theo thiết lập mặc định. Lưu ý rằng mức pin có thể không đủ để cho máy bay quay lại Home Point (Điểm Cất cánh) nếu máy bay bay quá xa. Luôn nhớ bay cẩn trọng.

Kiểm soát Xuất khẩu

Tuân thủ các Luật Kiểm soát Xuất khẩu Hiện hành

Bạn được thông báo rằng việc xuất khẩu, tái xuất, và chuyển nhượng Sản phẩm này phụ thuộc vào luật kiểm soát xuất khẩu của Trung Quốc và các luật kiểm soát xuất khẩu và trừng phạt liên quan (sau đây gọi chung là "Luật Kiểm soát Xuất khẩu"). Trước khi bạn sử dụng, bán, chuyển nhượng, cho thuê, hoặc thực hiện các hoạt động khác liên quan đến Sản phẩm, trừ khi được Luật Kiểm soát Xuất khẩu cho phép hoặc

khi có giấy phép của cơ quan chức năng có thẩm quyền, bạn phải kiểm tra và đảm bảo bằng các biện pháp phù hợp rằng:

1. Sẽ không có các vi phạm hoặc cấm vận theo quy định của Luật Kiểm soát Xuất khẩu;
2. Sản phẩm sẽ không được cung cấp cho các thực thể, người và các tổ chức được liệt kê trong các danh sách các bên bị trừng phạt có liên quan;
3. Sản phẩm không để dùng cùng với vũ khí, vũ khí hạt nhân, hóa học hoặc sinh học, hoặc cho các ứng dụng công nghệ tên lửa.

Tuân thủ Xuất khẩu, Tuyên bố Khước từ Trách nhiệm & Bồi thường

Bạn công nhận rằng bạn có trách nhiệm tuân thủ luật kiểm soát xuất khẩu của Trung Quốc và các luật kiểm soát xuất khẩu có liên quan. Bạn hoàn toàn chịu trách nhiệm về các trách nhiệm pháp lý nếu việc bạn sử dụng, bán, chuyển nhượng, cho thuê thực hiện các hoạt động khác liên quan đến Sản phẩm không tuân thủ các luật kiểm soát xuất khẩu có liên quan. Trong mọi tình huống, DJI sẽ không chịu trách nhiệm về việc bạn vi phạm các luật kiểm soát xuất khẩu có liên quan. Thêm vào đó, bạn sẽ bồi thường, biện hộ và đảm bảo DJI, các công ty liên kết, các giám đốc, các quản lý, các nhân viên, các đại lý và đại diện của DJI không bị ảnh hưởng bởi các khiếu nại, yêu cầu, kiện tụng, nguyên nhân tố tụng, các chi phí (bao gồm cả chi phí luật sư hợp lý), tiền bồi thường, tổn thất, hoặc trách nhiệm pháp lý dưới mọi hình thức, phát sinh từ, hoặc được cho là phát sinh từ, hoặc có liên quan đến việc bạn không thể tuân thủ các luật kiểm soát xuất khẩu có liên quan.

Nội dung này có thể bị thay đổi mà không cần thông báo trước.

Tải về phiên bản mới nhất tại
<http://www.dji.com/t30>

AGRAS và © là các thương hiệu của DJI.
 Bản quyền © 2021 DJI Bảo lưu mọi quyền.



Sicherheitsvorschriften auf einen Blick

! Das Fluggerät AGRAS™ T30/T10 ist kein Spielzeug und für Kinder unter 18 Jahren nicht geeignet.
Hinweis: Der Abschnitt „Sicherheitsvorschriften auf einen Blick“ bietet nur eine Kurzübersicht der Sicherheitstipps. Sie müssen dieses Dokument und das AGRAS T30/T10-Benutzerhandbuch lesen und den Inhalt verstehen können.

1. Verwendung von Pestiziden

- **Vermeiden** Sie die Verwendung von **Pestiziden mit Pulverformulierungen** so weit wie möglich, da diese die Lebensdauer des Sprühsystems reduzieren können.
- **Pestizide sind giftig und stellen ernsthafte Sicherheits- und Gesundheitsrisiken dar.** Die Pestizide sind nur unter strikter Einhaltung der Spezifikationen zu verwenden.
- Rückstände auf den Geräten und der Ausrüstung aufgrund einer ausgelaufenen Flüssigkeit oder aufgrund von Spritzern beim **Umfüllen und Mischen der Pestizide können Hautreizungen verursachen.** Achten Sie darauf, die Geräte und Ausrüstung nach dem Mischen zu reinigen.
- Verwenden Sie zum Mischen der Pestizide **sauberes Wasser** und filtern Sie die Flüssigkeit enthaltende Mischung vor dem Einfüllen in den Sprüh Tank, um ein **Verstopfen** des Siebs zu vermeiden. **Entfernen** Sie vor der Verwendung der Geräte und Ausrüstung alle Verstopfungen.
- Stellen Sie sicher, **dass Sie sich während des Sprühens der Pestizide in einem Gebiet mit Aufwind befinden,** um Körperverletzungen zu vermeiden.
- **Tragen Sie Schutzkleidung,** um einen direkten Körperkontakt mit den Pestiziden zu vermeiden. **Waschen Sie nach der Handhabung von Pestiziden stets die Hände und die Hautstellen,** die eventuell mit den Pestiziden in Berührung gekommen sind. **Reinigen Sie nach dem Sprühen der Pestizide** das Fluggerät und die Fernsteuerung.
- Ein wirksamer Einsatz von **Pestiziden hängt von den folgenden Faktoren ab:** Pestiziddichte, Aussprührate, Sprühabstand, Fluggeräteschwindigkeit, Windgeschwindigkeit, Windrichtung, Temperatur und Luftfeuchtigkeit. Beim Einsatz von Pestiziden sind alle Faktoren zu berücksichtigen. Die Sicherheit von Personen, Tieren und der Umwelt darf dabei jedoch **NICHT** gefährdet werden.
- **Achten Sie darauf, dass Flüsse und Trinkwasserquellen NICHT** kontaminiert werden.
- Entsorgung von überschüssigem Spray: Die Planung des Sprühvorgangs hilft sicherzustellen, dass nur genug Pestizid für die zu behandelnde Fläche gekauft wird und die Menge an überschüssiger Sprühlösung auf ein Minimum beschränkt wird. Es wird empfohlen, überschüssige Spritz- oder Waschlösung im Tank auf die Kulturen aufzubringen. Der Anwender kann auch die Installation einer Rohrleitung für die Entsorgung der Waschlösung im Tank in Betracht ziehen.
- Verwenden Sie **KEINE** starken Säuren, starken Basen, Hochtemperaturflüssigkeiten oder Pestizide, die ausdrücklich verboten sind.

2. Umweltaspekte

- Fliegen Sie immer an Orten, wo sich keine **Gebäude oder andere Hindernisse befinden.** **Menschenmengen dürfen NICHT überfliegen oder umfliegen werden.**
- Fliegen Sie **NICHT** mehr als 4,5 km über dem Meeresspiegel.
- Fliegen Sie nur bei moderaten Wetterbedingungen mit Temperaturen **zwischen 0 °C und 45 °C.**
- Stellen Sie sicher, dass Sie beim Betrieb des Fluggeräts **NICHT** gegen anwendbare Gesetze oder Vorschriften verstoßen. Sie müssen alle entsprechenden vorherigen Genehmigungen erhalten haben. Kontaktieren Sie vor dem Flug die relevanten Regierungsstellen und Behörden oder Ihren Rechtsanwalt zur Beratung. Sie müssen sicherstellen, dass Sie alle relevanten Gesetze und Vorschriften einhalten.
- Die **Teile des Fluggeräts dürfen NICHT in Innenräumen** betrieben werden.

3. Checkliste vor dem Flug

- Sie müssen unbedingt überprüfen, ob Folgendes zutrifft:
- Fernsteuerung und Fluggerätakku sind **vollständig aufgeladen.**
 - Alle Teile befinden sich in **einem guten Zustand.** Alte oder beschädigte Teile müssen vor dem Flug ersetzt werden.
 - **Landegestell und Sprüh Tank** sind ordnungsgemäß befestigt.
 - Die **Propeller und die Rahmenausleger müssen ausgefaltet sein.** Die **Arm-Verriegelungen müssen fest angezogen sein.** Propeller befinden sich in **gutem Zustand und sind ordnungsgemäß befestigt.** Die **Motoren und Propeller sind nicht blockiert.**
 - Blockieren Sie **NICHT** die Stelle am Fluggerätgehäuse, unter der sich das nach oben gerichtete Radar befindet.

- Das **Sprühsystem ist nicht blockiert** und funktioniert ordnungsgemäß.
- Der **Kompass wurde** nach einer entsprechenden Aufforderung in der App kalibriert.

4. Beschreibung der Eindring-Schutzart

Im Normalbetrieb ist das Fluggerät wasserdicht, staubdicht und korrosionsbeständig. Unter stabilen Laborbedingungen hat das Fluggerät (ohne Intelligent Flight Battery) die Schutzart IP67 (IEC 60529) und kann mit ein wenig Wasser gereinigt werden. Diese Schutzart ist allerdings nicht unbegrenzt und kann sich im Laufe der Zeit nach langer Verwendung aufgrund von Alterung und Verschleiß reduzieren. Die Produktgarantie deckt keine Wässerschäden ab.

Die oben genannten Schutzarten des Fluggeräts können sich in den folgenden Situationen verringern:

- Nach einem Zusammenstoß wird eine Verformung an der Dichtungsstruktur festgestellt.
 - Die Dichtungsstruktur des Gehäuses weist einen Riss oder Schaden auf.
 - Die wasserdichten Abdeckungen sind nicht ordnungsgemäß befestigt.
- ### 5. Bedienung
- **Halten Sie sich** von den sich **drehenden Propellern** und **Motoren fern.**
 - Achten Sie darauf, dass Sie innerhalb des angegebenen maximalen Startgewichts fliegen, um mögliche Sicherheitsrisiken zu vermeiden.
 - Die DJI AGRAS App empfiehlt auf intelligente Weise das Zuladungsgewicht des Tanks entsprechend dem aktuellen Status und der Umgebung des Fluggeräts. Wenn Sie Material in den Tank einfüllen, sollte das maximale Gewicht den empfohlenen Wert nicht überschreiten. Andernfalls kann die Flugsicherheit beeinträchtigt werden.
 - Behalten Sie das Fluggerät stets auf Sichtlinie.
 - Der Steuerknüppel-Kombinationsbefehl (Combination Stick Command, CSC) darf **NICHT durchgeführt werden, um die Motoren zu stoppen,** wenn sich das Fluggerät in der Luft befindet, außer es handelt sich um einen Notfall.
 - Während des Flugs dürfen **KEINE** Anrufe entgegengenommen werden. Betreiben Sie das Fluggerät **NICHT** unter dem **Einfluss von Alkohol oder Drogen.**
 - Wird eine Warnung angezeigt, die auf einen **niedrigen Akkustand hinweist, dann muss das Fluggerät an einem sicheren Ort gelandet werden.**
 - Kann das **Radarmodul in der Betriebsumgebung nicht ordnungsgemäß funktionieren, dann ist das Fluggerät während der automatischen Rückkehrfunktion (Return to Home, RTH) nicht instand, Hindernisse zu vermeiden.** Es lassen sich nur die **Fluggeschwindigkeit und die Flughöhe** anpassen, vorausgesetzt, die Fernsteuerung ist immer noch verbunden.
 - Stoppen Sie nach der Landung die Motoren. **Schalten Sie dann das Fluggerät und die Fernsteuerung aus.** Andernfalls wechselt das Fluggerät eventuell automatisch auf „Sicherheitsbedingte Rückkehr“ (Failsafe RTH). Der Grund dafür ist das unterbrochene Fernsteuerungssignal.
 - **Behalten Sie immer vollständige Kontrolle über das Fluggerät und verlassen Sie sich nicht auf die DJI AGRAS-App.** In bestimmten Situationen ist die Hindernisvermeidungsfunktion deaktiviert. Behalten Sie das Fluggerät im Blick und bleiben Sie beim Fliegen stets aufmerksam. Betreiben und bedienen Sie das Fluggerät mit der nötigen Umsicht und weichen Sie Hindernissen rechtzeitig durch manuelles Steuern aus. Es ist wichtig, vor jedem Flug eine angemessene Flughöhe für die Rückkehr anzugeben.

6. Wartung und Instandhaltung

- Verwenden Sie **KEINE** alten oder beschädigten Propeller, wie z. B. angeschlagene oder gebrochene Propeller.
- Entfernen oder entleeren Sie den **Sprüh Tank vor dem Transport und bei Nichtverwendung, um Schäden am Landegestell** zu vermeiden.
- Empfohlene Lagertemperatur, (wenn Sprüh Tank, Durchflussmesser, Pumpen und Schläuche leer sind): **zwischen -20 °C und +40 °C.**
- Reinigen Sie das Fluggerät **sofort** nach dem Sprühen. Überprüfen Sie das Fluggerät regelmäßig. Lesen Sie den Abschnitt „Produktpflege“, um mehr über die Wartungsrichtlinien zu erfahren.

7. Die örtlichen Gesetze und Vorschriften einhalten

- Eine Liste der DJI™ GEO-Zonen finden Sie hier: <http://www.dji.com/flysafe>. Hinweis: Die DJI GEO-Zonen sind kein Ersatz für die lokalen behördlichen Vorschriften oder den gesunden Menschenverstand.
- **Vermeiden Sie das Fliegen in Flughöhen von mehr als 100 m.***

* Das Höhenlimit ist je nach Land und Region verschieden. Stellen Sie sicher, dass Sie nur in Flughöhen fliegen, die von den örtlichen Gesetzen und Vorschriften festgelegt sind.



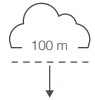
+



+



+



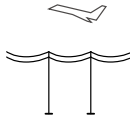
Fliegen Sie in offenen Bereichen

Starkes GNSS-Signal

VLOS

Fliegen unter 100 m

DE

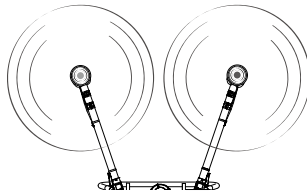


Fliegen Sie nicht über oder in der Nähe von Menschenmengen, Hochspannungsleitungen oder Gewässern.

Starke elektromagnetische Quellen, wie z. B. **Stromleitungen, Basisstationen und hohe Gebäude** können den Kompass an Bord beeinträchtigen.



Betreiben Sie das Fluggerät **NICHT** bei ungünstigen Wetterbedingungen, wie z. B. bei Windgeschwindigkeiten von über 28 km/h, starkem Regen (Niederschlagsmengen von über 25 mm in 12 Stunden), Nebel, Schnee, Gewitter, Tornados oder Hurrikane.



GEO-Zonen

Halten Sie sich von den sich drehenden Propellern und Motoren fern.

Hier können Sie mehr darüber erfahren:
<http://www.dji.com/flysafe>

Hinweis

Alle Anweisungen und sonstigen Begleitdokumente können nach alleinigen Ermessen von SZ DJI TECHNOLOGY CO., LTD geändert werden. Aktuelle Produktinformationen finden Sie hier: <http://www.dji.com> Klicken Sie auf die Produktseite.

Glossar

Die hier aufgeführten Bezeichnungen kommen in der gesamten Produktdokumentation vor und beschreiben potenzielle Gefahrenquellen unterschiedlichen Schweregrads, die im Betrieb dieses Produkts entstehen können.

[HINWEIS] Verfahren, die bei Nichtbeachtung zu potenziellen Sachschäden und zu potenziellen Personenschäden führen.

[ACHTUNG] Verfahren, die bei Nichtbefolgung zu wahrscheinlichen Sachschäden und zu potenziellen schweren Personenschäden führen.

[! WARNUNG] Verfahren, die bei Nichtbefolgung zu wahrscheinlichen Sachschäden, Kollateralschäden und schweren Personenschäden führen oder sehr wahrscheinlich zu schweren Verletzungen führen.



WARNUNG

Bitte lesen Sie vor dem Gebrauch das gesamte Benutzerhandbuch durch und machen Sie sich mit

den Eigenschaften und Funktionen des Produkts vertraut. Das Versäumnis, dieses Produkt sicher und verantwortungsvoll zu betreiben, kann zu Schäden am Produkt oder zu Sachschäden und schweren Verletzungen an der eigenen Person oder an anderen Personen führen. Dieses Produkt arbeitet mit komplexer Technik. Es sollte mit Vorsicht und gesundem Menschenverstand betrieben werden. Die Bedienung erfordert einige grundlegende mechanische Kenntnisse. Dieses Produkt ist nicht für Kinder bestimmt. Der Gebrauch mit inkompatiblen Bauteilen und Komponenten sowie technische Veränderungen am Produkt, die nicht in der Produktdokumentation von SZ DJI TECHNOLOGY CO., LTD vorgesehen sind, sind unzulässig. Diese Sicherheitsvorschriften enthalten Anweisungen zum sicheren Betrieb, sowie zur Bedienung und zur Pflege des Produkts. Bitte lesen und befolgen Sie unbedingt sämtliche Anweisungen und Warnhinweise in dem Benutzerhandbuch, bevor Sie das Produkt zusammenbauen, einrichten oder betreiben. Nur so ist gewährleistet, dass Sie das Produkt ordnungsgemäß bedienen können und Sachschäden bzw. schwere Personenschäden vermieden werden.

Checkliste vor dem Flug

Sie müssen unbedingt überprüfen, ob Folgendes zutrifft:

1. Verwenden Sie ausschließlich Originalteile in einwandfreiem Zustand.
2. Die Fernsteuerung und die Fluggerätkass sind vollständig aufgeladen. Beim Gebrauch der externen Intelligent Battery ist es immer noch notwendig, sicherzustellen, dass der interne Akku etwas Strom hat. Andernfalls kann die Fernsteuerung nicht eingeschaltet werden.
3. Die Propeller müssen sich in einem einwandfreien Zustand befinden. Die Propeller müssen ordnungsgemäß und sicher an den Motoren befestigt sein.
4. Die Propeller und die Rahmenseitler müssen ausgefaltet sein. Die Arm-Verriegelungen müssen fest angezogen sein.
5. Die Motoren müssen sicher befestigt sein und normal starten und funktionieren.
6. Landegestell, Sprühtank und Intelligent Flight Battery müssen fest an dem entsprechenden Platz sein.
7. Alle Komponenten müssen sicher befestigt sein. Die Kabel müssen ordnungsgemäß und fest angeschlossen sein.
8. Es gibt nichts, was die D-RTK™-Antennen, die OCSUSYN™-Antennen oder die Position auf der Fluggerätschale, unter der sich das Aufwärtssradar befindet, behindert.
9. Die Firmware des Fluggeräts und die DJI Agras-App müssen mit der neuesten Version aktualisiert sein.
10. Ihr Flugbereich muss sich außerhalb der GEO-Zonen befinden. Die Flugbedingungen müssen zum Fliegen geeignet sein.
11. Sorgen Sie dafür, dass Sie NICHT unter dem Einfluss von Alkohol, Drogen oder anderen Substanzen fliegen, die Ihre Wahrnehmungsfähigkeit beeinträchtigen könnten.
12. Sie müssen mit dem ausgewählten Flugmodus vertraut sein sowie alle Sicherheits- und Warnfunktionen kennen und verstehen.
13. Sorgen Sie dafür, dass Sie alle lokalen Gesetze und Vorschriften befolgen, die entsprechenden Berechtigungen erhalten und die Risiken kennen und verstehen. Sie alleine sind dafür verantwortlich, alle Flugvorschriften einzuhalten.

14. Die DJI Agras-App muss ordnungsgemäß gestartet werden, um Sie beim Betrieb des Fluggeräts unterstützen zu können. Wenn die DJI Agras-App die Flugdaten nicht aufgezeichnet hat und die Daten nicht in Ihrer Fernsteuerung gespeichert wurden, dann ist es möglich, dass DJI Ihnen in bestimmten Situationen, wie z. B. bei Verlust Ihres Fluggeräts, keinen Kundendienst-Support anbieten kann oder dafür die Haftung übernimmt.

Haftungsausschluss und Warnhinweise

Dieses Produkt ist kein Spielzeug und für Kinder unter 18 Jahren nicht geeignet. Erwachsene müssen das Fluggerät außerhalb der Reichweite von Kindern halten. Das Fluggerät darf nicht betrieben werden, wenn Kinder anwesend sind.

Die unsachgemäße Verwendung des Produkts kann zu Personen- und Sachschäden führen. Lesen Sie vor dem ersten Gebrauch des Produkts die zugehörigen Dokumente. Die Dokumentation wird mit dem Produkt geliefert und können auch auf der DJI-Produktseite unter <http://www.dji.com> heruntergeladen werden.

Bei diesem Produkt handelt es sich um eine Flugplattform mit mehreren Rotoren. Das Produkt ist zu Anwendungen auf dem Ackerland, in Waldgebieten und in Obstplantagen vorgesehen. Bei diesem Produkt handelt es sich um ein Fluggerät, das in einwandfreiem technischem Zustand, (wie nachfolgend beschrieben), einfach zu fliegen ist. Die aktuellen Anweisungen und Warnhinweise zum Produkt finden Sie auf <http://www.dji.com>. Weitere Informationen zu Produktsicherheit und Einhaltung der einschlägigen Vorschriften finden Sie auf <https://dji.com/flysafe>.

Die hier enthaltenen Informationen betreffen Ihre persönliche Sicherheit sowie Ihre gesetzlichen Rechte und Pflichten. Lesen Sie das gesamte Dokument aufmerksam durch, um das Produkt für den Betrieb ordnungsgemäß einrichten zu können. Bei Nichtbeachtung dieser Anleitungen und Warnhinweise können der Verlust des Produkts, schwere Verletzungen an Personen oder schwere Sachschäden am Fluggerät die Folge sein.

Mit dem Gebrauch des Produkts bestätigen Sie, dass Sie diesen Haftungsausschluss und das Benutzerhandbuch aufmerksam gelesen haben, den Inhalt verstehen und mit den hier festgelegten Allgemeinen Geschäftsbedingungen einverstanden sind. **SOFERN NICHT AUSDRÜCKLICH IN DEN KUNDENSERVICE-RICHTLINIEN VON DJI UNTER [HTTP://WWW.DJI.COM/SERVICE](http://www.dji.com/service) ANGEBOGEN, WERDEN DAS PRODUKT UND ALLE MATERIALIEN SOWIE ALLE DURCH DAS PRODUKT ZUGÄNGLICHEN INHALTE „SO WIE SIE SIND“ UND AUF DER BASIS „WIE VERFÜGBAR“ OHNE GARANTIE ODER IRGENDWELCHEN BEDINGUNGEN, WEDER AUSDRÜCKLICH NOCH IMPLIZIT, BEREITGESTELLT. DJI HAFTET FÜR KEINERLEI GARANTIE IRGENDWELCHER ART, AUSSER JENER, DIE AUSDRÜCKLICH VON DJI IN ENTSPRECHENDEN SERVICERICHTLINIEN ANGEBOGEN SIND, WEDER AUSDRÜCKLICH ODER IMPLIZIT, IN BEZUG AUF DAS PRODUKT, PRODUKTZUBEHÖR UND ALLE MATERIALIEN, EINSCHLIESSLICH: (A) STILLSCHWEIGENDER ZUSICHERUNGEN ZU ALLGEMEINER GEBRAUCHSFÄHIGKEIT, EIGNUNG FÜR EINEN BESTIMMTEN ZWECK, ANSPRUCH, UNGESTÖRTEM BESITZ ODER NICHTVERLETZUNG DER RECHTE DRITTER SOWIE (B) ZUSICHERUNGEN, DIE AUF DAS HANDELN, DEN GEBRAUCH ODER DEN AN- ODER VERKAUF ZURÜCKZUFÜHREN SIND. SOFERN NICHT AUSDRÜCKLICH IN DER BESCHRÄNKTEN GARANTIE VON DJI ANGEBOGEN, SICHERT DJI NICHT ZU, DASS DAS PRODUKT, DAS PRODUKTZUBEHÖR, TEILE DES PRODUKTS ODER DIE MATERIALIEN UNTERBRECHUNGSFREI, GEFÄHRLOS ODER FREI VON FEHLERN, VIREN ODER ANDEREN SCHÄDLICHEN BESTANDTEILEN ZU BETREIBEN SIND UND DASS SOLCHE MÄNGEL BEHOBEN WERDEN.**

AUS KEINER BERATUNG ODER INFORMATION IN MÜNDLICHER ODER SCHRIFTLICHER FORM, DIE SIE AUS DEM PRODUKT, DEM PRODUKTZUBEHÖR ODER DEN MATERIALIEN ZIEHEN, KANN EINE ZUSICHERUNG BEZÜGLICH DJI ODER DEM PRODUKT ABGELEITET WERDEN, DIE IN DIESEN NUTZUNGSBEDINGUNGEN NICHT AUSDRÜCKLICH ANGEBOGEN IST. SIE ÜBERNEHMEN ALLE RISIKEN FÜR JEGLICHE SCHÄDEN, DIE DURCH IHREN GEBRAUCH DES PRODUKTS, DES PRODUKTZUBEHÖRS ODER DER MATERIALIEN BZW. DEN ZUGRIFF DARAUF ENTSTEHEN KÖNNEN. SIE VERSTEHEN UND ERKLÄREN SICH DAMIT EINVERSTANDEN, DASS SIE DAS PRODUKT NACH IHREM EIGEMEM ERMESSEN UND AUF IHR EIGENES RISIKO HIN VERWENDEN UND ALLEIN FÜR PERSONENSCHÄDEN, TODESFÄLLE, SACHSCHÄDEN AN

IHREM EIGENTUM (EINSCHLIESSLICH IHR COMPUTERSYSTEM, MOBILGERÄT ODER DIE DJI-HARDWARE, DIE SIE IN VERBINDUNG MIT DEM PRODUKT VERWENDEN) ODER AN FREMDEN GÜTERN SOWIE FÜR DATENVERLUSTE VERANTWORTLICH SIND, DIE AUF IHREN GEBRAUCH BZW. IHR UNVERMÖGEN, DAS PRODUKT ZU GEBRAUCHEN, ZURÜCKZUFÜHREN SIND. IN MANCHEN GERICHTSBARKEITEN SIND GEWÄHRLEISTUNGAUSSCHLÜSSE NICHT ZULÄSSIG, SODASS IHNEN JE NACH GERICHTSBARKEIT ANDERE RECHTE GEWÄHRT WERDEN.

DJI ist eine Marke von SZ DJI TECHNOLOGY CO., LTD. und seiner verbundenen Unternehmen. Namen von Produkten, Marken usw., die in diesem Dokument enthalten sind, sind Warenzeichen oder eingetragene Warenzeichen der jeweiligen Besitzer (Eigentümergeellschaften).

Haftungsbeschränkung

IN KEINEM FALL WERDEN DIE JURISTISCHEN PERSONEN VON DJI DIE HAFTUNG FÜR ALLE INDIRECTEN, ZUFÄLLIGEN UND BESONDEREN SCHÄDEN UND FÜR FOLGE- ODER STRAFSCHÄDEN (EINSCHLIESSLICH SCHÄDEN FÜR ENTGANGENE GEWINNE, GOODWILL, GESCHÄFTSWERT ODER ANDERE IMMATERIELLE VERLUSTE) ÜBERNEHMEN, DIE SICH AUS DEM ZUSAMMENHANG MIT IHREM ZUGRIFF AUF DAS PRODUKT UND AUF DAS PRODUKTZUBEHÖR ERGEBEN ODER MIT IHREM GEBRAUCH DES PRODUKTS UND DES PRODUKTZUBEHÖRS ZU TUN HABEN ODER MIT IHREM UNVERMÖGEN ZUSAMMENHÄNGEN, DAS PRODUKT, DAS ZUBEHÖR ODER JEDGLICHE MATERIALIEN UND FLUGUMGEBUNGSDATEN ZU NUTZEN ODER AUF DIESE ZUZUGREIFEN, EGAL OB BASIEREND AUF GARANTIE, VERTRAG, SCHULD (EINSCHLIESSLICH FAHRLÄSSIGKEIT), STATUTE ODER ANDERER RECHTSGRUNDLAGE, UND EGAL, OB DIE JURISTISCHEN PERSONEN VON DJI ÜBER DIE MÖGLICHKEIT VON SCHÄDEN INFORMIERT WURDEN.

VORBEHALTLICH EINER ANDERS LAUTENDEN VEREINBARUNG ZWISCHEN IHNEN UND DJI IST DER GESAMTE HAFTUNGSUMFANG DER JURISTISCHEN PERSONEN VON DJI IHNEN GEGENÜBER AUF \$100 USD BESCHRÄNKT, UND ZWAR FÜR ALLE SCHADENERSATZANSPRÜCHE, DIE SICH AUS DEM GEBRAUCH ODER DER UNFÄHIGKEIT, IRGENDWELCHE TEILE DES PRODUKTS ZU GEBRAUCHEN, ERGEBEN ODER DAMIT ZUSAMMENHÄNGEN, ODER DIE SICH IN ANDERER WEISE AUS DIESEN BINDUNGEN ERGEBEN ODER DAMIT ZUSAMMENHÄNGEN, EGAL OB IN VERTRAG, UNERLAUBTER HANDLUNG ODER SONSTIGES.

Datenspeicherung und -nutzung

Bei Verwendung unserer mobilen App oder unserer Produkte oder anderer Software, können Sie DJI die Daten hinsichtlich des Gebrauchs und Betriebs des Produkts zur Verfügung stellen, wie z. B. Flugtelemetrie-Daten (Fluggeschwindigkeit, Flughöhe, Lebensdauer des Akkus und Gimbal- und Kameradaten). Weitere Informationen finden Sie in den Datenschutzzrichtlinien von DJI unter: dji.com/policy DJI behält sich das Recht vor, diesen Haftungsausschluss und diese Sicherheitsvorschriften zu ändern. Besuchen Sie uns regelmäßig auf unserer Website, um eine aktuelle Version zu erhalten: <http://www.dji.com> Dieser Haftungsausschluss ist in verschiedenen Sprachen verfügbar. Bei Abweichungen zwischen den verschiedenen Fassungen ist die englische Fassung maßgebend.

Vorbereitungen

Die folgenden Dokumente wurden erstellt, um Ihnen dabei zu helfen, das Fluggerät sicher zu betreiben und im vollen Umfang zu verwenden.

1. Lieferumfang
2. Haftungsausschluss und Sicherheitsvorschriften
3. Kurzanleitung
4. Benutzerhandbuch

Überprüfen Sie alle im Lieferumfang enthaltenen Teile, die im entsprechenden Packzettel zum Lieferumfang aufgeführt sind, und lesen Sie vor dem Flug den Haftungsausschluss und die Sicherheitsrichtlinien. Lesen Sie nach dem Zusammenbau die Kurzanleitung und sehen Sie die Tutorial-Videos an, um mehr über die grundlegenden Funktionen zu erfahren. Besuchen Sie dazu die offizielle DJI-Website (<http://www.dji.com>) Lesen Sie das Benutzerhandbuch auf der offiziellen DJI-Website, um umfassendere Informationen zu erhalten. Vergewissern Sie sich vor jedem Flug,

dass Sie die Funktion jedes einzelnen Teils, die Anforderungen an die Flugbedingungen, die wichtigsten Notfallwarnfunktionen und die entsprechenden Systeme und alle behördlichen Vorschriften vollständig verstanden haben. Sollten sich während des Zusammenbaus, der Wartung oder des Gebrauchs irgendwelche Fragen oder Probleme ergeben, dann kontaktieren Sie DJI oder einen autorisierten DJI-Vertragshändler.

Einzelteile

Originalteile und Funktionsteile

⚠️ WARNUNG

Befolgen Sie die nachstehenden Regeln, um schwere Sachschäden und Personenschäden zu vermeiden:

1. Verwenden Sie ausschließlich DJI-Originalteile oder von DJI zertifizierte Teile. Nicht zugelassene Teile oder Teile von Herstellern, die nicht von DJI zertifiziert wurden, können Systemstörungen verursachen und die Sicherheit beeinträchtigen.
2. Sorgen Sie dafür, dass sich keine Fremdkörper im Inneren des Fluggeräts oder der Fluggerätkomponenten befinden, wie z. B. Wasser, Öl, Erde oder Sand.
3. Sorgen Sie dafür, dass sich das Fluggerät und die Fluggerätkomponenten in einem guten Betriebszustand befinden, keine Schäden aufweisen und ordnungsgemäß funktionieren. Fluggerätkomponenten umfassen, sind aber nicht beschränkt auf: Fernsteuerung, Kompass, Antriebssystem, Radarmodul und Sprühsystem.

Fernsteuerung

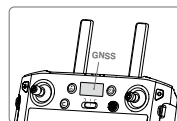
⚠️ WARNUNG

Befolgen Sie die nachstehenden Regeln, um schwere Sachschäden und Personenschäden zu vermeiden:

1. Verwenden Sie die Anschlüsse an der Fernsteuerung unter strenger Einhaltung der Spezifikationen.
2. Stellen Sie sicher, dass das Anzeigergerät an der Fernsteuerung Zugang zum Internet hat (über Wi-Fi oder eine SIM-Karte). Andernfalls können die Flugschreiber nicht auf einen DJI-Server hochgeladen werden. Deshalb kann Ihnen DJI eventuell keinen Garantie-Reparaturservice bereitstellen und keine Haftung für irgendwelche damit verbundenen Verluste übernehmen, die Ihnen entstehen.

HINWEIS

1. Stellen Sie sicher, dass der Akku der Fernsteuerung vor jedem Flug vollständig aufgeladen ist.
2. Wenn die eingeschaltete Fernsteuerung 5 Minuten lang NICHT benutzt wird und nicht mit dem Fluggerät verbunden ist, dann ertönt ein Alarmsignal. Nach 10 Sekunden schaltet sie sich automatisch aus. Bewegen Sie die Steuerknüppel oder führen Sie eine andere Funktion durch, um den Alarm abzustellen.
3. Sorgen Sie dafür, dass die Antennen der Fernsteuerung ausgezogen und richtig ausgerichtet sind, um eine optimale Übertragungsqualität zu gewährleisten.
4. Das GNSS der Fernsteuerung befindet sich oberhalb des Flugmoduschalters, wie in der Abbildung gezeigt. Sorgen Sie dafür, dass das GNSS in Richtung Himmel ausgerichtet und nicht blockiert ist, damit es ordnungsgemäß funktioniert. Die Fernsteuerung muss horizontal positioniert werden.



5. Kontaktieren Sie zur Reparatur einer beschädigten Fernsteuerung den DJI Support. Eine beschädigte Antenne beeinträchtigt die Leistung enorm.

- Ersatzfernsteuerungen müssen mit dem Fluggerät verbunden sein. Sorgen Sie dafür, dass die Übertragungsentfernung nach der Koppelung 300 m beträgt. Erst dann kann die Fernsteuerung verwendet werden. Weitere Informationen finden Sie im Abschnitt „Anweisungen zum Verbinden“ im Benutzerhandbuch.
- Die internen und externen Akkus der Fernsteuerung müssen mindestens alle drei Monate einmal vollständig aufgeladen und entladen werden.
- Die internen und externen Akkus der Fernsteuerung müssen sofort aufgeladen werden, wenn der Akkustand auf 0 % sinkt. So wird vermieden, dass das Gerät wegen Überentladung über einen längeren Zeitraum hinweg beschädigt wird. Werden die Akkus über einen längeren Zeitraum hinweg aufbewahrt, müssen Sie die Akkus auf einen Akkustand zwischen 40 % und 60 % entladen.
- Nach der Koppelung einer Fernsteuerung an ein Fluggerät werden alle Verbindungen zu einer anderen Fernsteuerung, die eventuell bestanden haben, unterbrochen. Wenn daher alle Fluggeräte einer Fernsteuerung verbunden sind, die sich im „Multi-Aircraft Control“-Modus (Modus zur Steuerung mehrerer Fluggeräte) befinden, dann kann ein Fluggerät ausschließlich über diese Fernsteuerung bedient werden. Zur Steuerung eines Fluggeräts mit einer anderen Fernsteuerung muss das Fluggerät unter Verwendung der DJI Agras-App manuell mit der entsprechenden Fernsteuerung verbunden werden.
- Der Luftauslass an der Fernsteuerung darf NICHT bedeckt sein. Andernfalls kann die Fernsteuerung überhitzen, was wiederum die Leistung der Fernsteuerung beeinträchtigt.
- Der RTK-Dongle darf bei der Verwendung NICHT blockiert sein.

Chassis

⚠️ WARNUNG

Befolgen Sie die nachstehenden Regeln, um schwere Sachschäden und Personenschäden zu vermeiden:

- Verwenden Sie die Anschlüsse auf dem Chassis unter strenger Einhaltung der Spezifikationen.
- Die Anschlüsse auf dem Chassis dürfen NICHT kurzgeschlossen werden.
- Lassen Sie beim Zusammenbau und bei der Reinigung des Fluggeräts große Sorgfalt walten, da einige Bauteile des Chassis scharfe Kanten aufweisen.
- T30: Klappen Sie die M3- und M5-Arme gefolgt von den M2- und M6-Armen ein, und stellen Sie sicher, dass die Arme in die Aufbewahrungsklammern auf beiden Seiten des Fluggeräts eingesetzt sind. Andernfalls können die Arme beschädigt werden. Die Arme M1 und M4 müssen vorsichtig angehoben und gesenkt werden, um Verschleiß zu reduzieren.
- T10: Falten Sie die Arme M3 und M4 zusammen, gefolgt von den Armen M1 und M2. Vergewissern Sie sich, dass die Arme in die Aufbewahrungshalterungen auf beiden Seiten des Fluggeräts eingesetzt sind. Andernfalls können die Arme beschädigt werden.
- Bei Verwendung der RTK-Funktion muss das Fluggerät in einer offenen Umgebung ohne Funkstörung betrieben werden. Die D-RTK-Antennen dürfen bei Verwendung NICHT blockiert werden.
- Die OcuSync-Antennen dürfen NICHT blockiert werden.
- Bei Betrieb in der Nacht dürfen Sie nicht direkt auf das Spotlight blicken, um Verletzungen an den Augen zu vermeiden.
- Berühren Sie die Kühlkörper beim Einschalten oder nach dem Flug NICHT mit den Händen oder dem Körper, da sie heiß sein können.
- Wird der USB-C-Anschluss nicht verwendet, dann sorgen Sie dafür, dass die wasserdichte Abdeckung befestigt ist. Andernfalls kann Wasser in den Anschluss eindringen und einen Kurzschluss verursachen.

Fluggerätakkus

⚠️ WARNUNG

Befolgen Sie die nachstehenden Regeln, um schwere Sachschäden und Personenschäden zu vermeiden:

- Verwenden Sie nur offizielle Fluggerätakkus von DJI.
- Die Spannung am Fluggerät kann 58,8 V erreichen. Lesen Sie die Akku-Sicherheitsvorschriften und treffen Sie beim Umgang mit den Akkus die erforderlichen Vorsichtsmaßnahmen, um Ihre eigene Sicherheit zu gewährleisten.

- Der Akku darf NICHT mit einer übermäßigen Menge Wasser angespritzt werden.

Kompass

ACHTUNG

Befolgen Sie die folgenden Regeln, um eine Fehlfunktion der Komponenten, schwere Personenschäden und Sachschäden zu vermeiden:

- Landen Sie sofort, wenn sich beim Flug ein offensichtliches Driften ereignet, wie z. B. das Fluggerät fliegt nicht in gerader Linie.

HINWEIS

Kalibrieren Sie den Kompass, wenn Sie von der App dazu aufgefordert werden. Befolgen Sie die nachstehenden Regeln, wenn Sie Ihren Kompass kalibrieren:

- Es ist wichtig, den Kompass zu kalibrieren. Das Ergebnis der Kalibrierung wirkt sich auf die Flugsicherheit aus. Ist der Kompass nicht kalibriert, dann kann dies zu einer Fehlfunktion des Fluggeräts führen.
- Der Kompass darf NICHT an Orten kalibriert werden, wo eventuell eine starke magnetische Störung besteht. Das umfasst Gelände mit Strommasten oder Mauerwerk mit Stahlarmierung.
- Tragen Sie KEINE ferromagnetischen Materialien an sich, wenn Sie eine Kalibrierung durchführen, wie z. B. Schlüssel oder Handy.
- Wenn die Status-LEDs des Fluggeräts rot blinken, dann ist die Kompasskalibrierung fehlgeschlagen. Es muss eine erneute Kalibrierung durchgeführt werden.
- Nach erfolgreicher Kalibrierung kann der Kompass abnormal sein, wenn Sie das Fluggerät auf den Boden stellen. Dies liegt oft an unentdeckter magnetischer Störung. Bringen Sie das Fluggerät an einen anderen Ort und versuchen Sie es erneut.

Antriebssystem

⚠️ WARNUNG

Beachten Sie die folgenden Regeln, um ernsthafte Verletzungen von Ihnen oder anderen Personen zu vermeiden, die durch rotierende Propeller und Motoren verursacht werden können:

Propeller

- Prüfen Sie vor jedem Flug, ob sich die Propeller in einem guten Zustand befinden. Ersetzen Sie alte, angeschlagene oder gebrochene Propeller.
- Bevor Sie die Propeller berühren, muss das Fluggerät ausgeschaltet sein.
- Achten Sie auf die scharfen Kanten der Propeller, wenn Sie die Propeller montieren oder entfernen.
- Sorgen Sie dafür, dass die Propeller vor jedem Flug auseinandergefasst und ordnungsgemäß befestigt sind.
- Halten Sie zur Vermeidung von Verletzungen Abstand zu den rotierenden Propellern und Motoren.

Motoren

- Sorgen Sie dafür, dass die Motoren sicher installiert sind und sich problemlos drehen.
- Nehmen Sie am Motoraufbau KEINE Änderungen vor.
- Nach dem Flug sind die Motoren eventuell heiß und dürfen NICHT mit den Händen oder anderen Körperteilen in Berührung kommen.

ACHTUNG

Befolgen Sie die nachstehenden Regeln, um schwere Sachschäden und Personenschäden zu vermeiden:

- Sorgen Sie dafür, dass die Belüftungsöffnungen an den Motoren NICHT blockiert sind.

HINWEIS

- Schützen Sie die Motoren vor Staub.

- Wenn ein Motor blockiert ist und nicht problemlos rotieren kann, führen Sie den Steuerknüppel-Kombinationsbefehl (Combination Stick Command, CSC) aus, um die Motoren sofort zu stoppen.
- Stellen Sie sicher, dass die Motoren beim Einschalten einen normalen Ton von sich geben.

Sprühsystem

⚠️ WARNUNG

Befolgen Sie die nachstehenden Regeln, um schwere Sachschäden und Personenschäden zu vermeiden:

Verwendung von Pestiziden

- Pulverpestizide müssen so weit wie möglich vermieden werden, denn sie können die Lebensdauer des Sprühsystems beeinträchtigen.
- Pestizide sind giftig und stellen ernsthafte Sicherheits- und Gesundheitsrisiken dar. Die Pestizide sind nur unter strikter Einhaltung der Spezifikationen zu verwenden.
- Rückstände auf den Geräten und der Ausrüstung durch ausgelaufene Flüssigkeit oder Spritzer beim Umfüllen und Mischen der Pestizide können Hautreizungen verursachen. Achten Sie darauf, die Geräte und Ausrüstung nach dem Mischen zu reinigen.
- Verwenden Sie zum Mischen der Pestizide sauberes Wasser und filtern Sie die Flüssigkeit enthaltende Mischung vor dem Einfüllen in den Sprüh Tank, um ein Verstopfen des Siebs zu vermeiden. Entfernen Sie vor der Verwendung der Geräte und Ausrüstung alle Verstopfungen.
- Stellen Sie sicher, dass Sie sich während des Aussprühens der Pestizide in einem Gebiet mit Aufwind befinden, um Körperverletzungen zu vermeiden.
- Tragen Sie Schutzkleidung, um einen direkten Körperkontakt mit den Pestiziden zu vermeiden. Waschen Sie nach der Handhabung von Pestiziden stets die Hände und die Hautstellen, die eventuell mit den Pestiziden in Berührung gekommen sind. Reinigen Sie nach dem Sprühen der Pestizide das Fluggerät und die Fernsteuerung.
- Ein wirksamer Einsatz von Pestiziden hängt von den folgenden Faktoren ab: Pestiziddichte, Ausprührate, Sprühabstand, Flugertgeschwindigkeit, Windgeschwindigkeit, Windrichtung, Temperatur und Luftfeuchtigkeit. Beim Einsatz von Pestiziden sind alle Faktoren zu berücksichtigen. Die Sicherheit von Personen, Tieren und der Umwelt darf dabei jedoch NICHT gefährdet werden.
- Achten Sie darauf, dass Flüsse und Trinkwasserquellen NICHT kontaminiert werden.

Sprühdüsen

- Vermeiden Sie die Verwendung von unlöslichen Pestiziden, wie z. B. benetzbares Pulver.
- Bei den Sprühdüsen handelt es sich um empfindliche Teile. Die Sprühdüsen müssen sofort nach der Verwendung gereinigt werden.
- Der Schlauch darf NICHT über den Mindest-Biegeradius hinaus gebogen werden. So wird vermieden, dass der Schlauch zusammengedrückt wird und der Sprüheffekt beeinträchtigt wird.
- Sorgen Sie dafür, dass die Schlauchmuttern sicher befestigt sind, um das Austreten von Flüssigkeit zu vermeiden.

Sprüh Tank

- Sorgen Sie dafür, dass der Sprüh Tank ordnungsgemäß in der richtigen Position befestigt ist, um das Austreten von Flüssigkeit zu vermeiden.
- Die Belastung des Spritzbehälters darf den angegebenen Maximalwert nicht überschreiten. Siehe auch die technischen Daten des entsprechenden Fluggeräts.

Radarsystem mit Kugelempfangscharakteristik

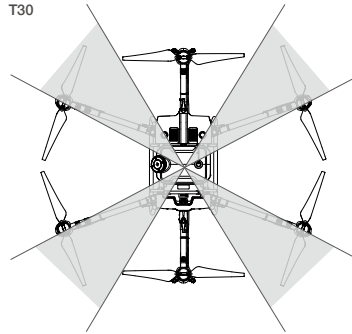
⚠️ WARNUNG

Befolgen Sie die nachstehenden Regeln, um schwere Sachschäden und Personenschäden zu vermeiden:

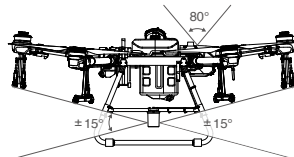
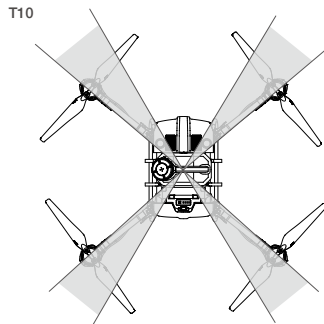
- Beim Einschalten des Fluggeräts oder nach dem Flug dürfen Sie die Metallteile des Radarmoduls nicht berühren, denn diese könnten heiß sein. Vermeiden Sie deshalb auch jeden Körperkontakt mit dem Radarmodul.

- Behalten Sie jederzeit vollständige Kontrolle über das Fluggerät und verlassen Sie sich nicht auf das Radarmodul und die DJI AGRAS-App. Halten Sie das Fluggerät jederzeit innerhalb der VLOS. Bitte verwenden Sie das Fluggerät mit der nötigen Umsicht und weichen Sie Hindernissen manuell aus.
- Wie in der Abbildung unten gezeigt, hat das omnidirektionale Digitalradar einen horizontalen Hinderniserkennungsbereich von 360° und einen vertikalen Hinderniserkennungsbereich von $\pm 15^\circ$, während der Erkennungsabstandsbereich 1,5 bis 30 m beträgt. Beachten Sie, dass das Fluggerät keine Hindernisse erkennen kann, die sich außerhalb der Erkennungsabstände befinden. Vorsichtig fliegen. Für die vier grauen Bereiche in der Abbildung gilt, dass die Erkennungsleistung des Radarmoduls aufgrund der Behinderung durch die Rahmenarme und das Fahrwerk reduziert sein kann. Vorsichtig fliegen. Der effektive Erfassungsabstand variiert je nach Größe und Material des Hindernisses. Bei der Erfassung von Objekten wie z. B. Gebäuden, die einen Radarquerschnitt (RCS) von mehr als -5 dBsm haben, beträgt die effektive Erfassungsreichweite 20 bis 30 m. Bei der Erfassung von Objekten wie z. B. Hochspannungsleitungen, die eine RCS von -10 dBsm haben, beträgt der effektive Erfassungsbereich ca. 15 m. Bei der Erfassung von Objekten wie z. B. trockenen Baumstämmen, die eine RCS von -15 dBsm haben, beträgt der effektive Erfassungsbereich ca. 10 m. Die Hinderniserkennung kann in Bereichen außerhalb des effektiven Erfassungsbereichs fehlerhaft oder ungültig sein.
- Achten Sie bei der Montage des omnidirektionalen Digitalradars darauf, dass die Pfeilmarkierung in Richtung der Flugertrefont zeigt.

T30



T10



HINWEIS

1. Erfüllen Sie alle lokalen Gesetze und Vorschriften zur Funkübertragung.
2. Die Empfindlichkeit des Radarmoduls wird eventuell verringert, wenn mehrere Fluggeräte in nur geringer Distanz betrieben werden. Mit Vorsicht bedienen.
3. Die Hindernisvermeidungsfunktionen sind im Fluglagemodus deaktiviert.
4. Versuchen Sie NICHT, bereits vor dem Versand installierte Teile des Radarmoduls zu demontieren.
5. Das Radarmodul ist ein Präzisionsinstrument. Das Radarmodul darf nicht beschädigt werden, wie z. B. durch Zusammendrücken, Anstoßen und Aufschlagen.

Omnidirektionales Digital-Radar

1. Stellen Sie vor dem Gebrauch sicher, dass das Radarmodul sauber ist. An der äußeren Schutzabdeckung dürfen keine Schäden festgestellt werden, wie z. B. Risse, Abspaltungen und sonstige Verformungen.
2. Die Hindernisvermeidung wird aufgrund der Blockierung des Chassis bei einem Fluggerät-Nicken von mehr als 15° beeinträchtigt. Fliegen Sie langsamer und vorsichtig.
3. Mit Unterstützung des Radarmoduls kann das Fluggerät nur innerhalb seines Arbeitsbereichs eine festgelegte Distanz zur Vegetation einhalten. Sie müssen die Distanz des Fluggeräts von der Vegetation immer beobachten.
4. Beim Erkennen von Objekten, die eine vertikale Neigung von mehr als 5° aufweisen, wie z. B. eine schräge Linie oder ein schräger Strommasten, kann die Empfindlichkeit des Radarmoduls eventuell verringert werden. Vorsichtig fliegen.
5. Betreiben Sie das Fluggerät beim Fliegen über schräge Oberflächen besonders vorsichtig. Empfohlene maximale Neigung bei verschiedenen Fluggerätschwindigkeiten: 10° bei 1 m/s, 6° bei 3 m/s und 3° bei 5 m/s.
6. Landen Sie das Fluggerät auf flachen Boden, um Schäden am Radarmodul durch hervorstehende Objekte zu vermeiden.

Aufwärtsgerichtetes Radar

1. Blockieren Sie NICHT die Stelle am Fluggerätgehäuse, unter der sich das nach oben gerichtete Radar befindet. Andernfalls kann die Hindernisvermeidung nach oben beeinträchtigt werden.
2. Vergewissern Sie sich, dass die Stelle an der Fluggerätgehäuse, unter der sich das nach oben gerichtete Radar befindet, nicht gerissen, abgesplittert oder verformt ist. Andernfalls kann die Hindernisvermeidung nach oben beeinträchtigt werden.

Firmware

⚠️ WARNUNG

Befolgen Sie die folgenden Regeln, um eine Fehlfunktion der Komponenten, schwere Personenschäden und Sachschäden zu vermeiden:

1. Halten Sie bei den folgenden Verfahren Personen und Tiere in einem Sicherheitsabstand: Firmware-Aktualisierung, Systemkalibrierung und Parametereinstellung.

HINWEIS

1. Aus Gründen der Sicherheit muss die Aktualisierung mit der aktuellen Firmware-Version durchgeführt werden.
2. Verwenden Sie nur die offizielle DJI-Firmware.
3. Sorgen Sie dafür, dass die Fernsteuerung stets mit der aktuellen Firmware-Version aktualisiert wird. Sie müssen Die Firmware des Fluggeräts zuerst aktualisieren.
4. Nach der Aktualisierung sind die Fernsteuerung und das Fluggerät möglicherweise nicht mehr miteinander verbunden. Verbinden Sie die Fernsteuerung erneut mit dem Fluggerät.
5. Prüfen Sie vor der Durchführung der Firmware-Aktualisierung unbedingt alle Verbindungen und Anschlüsse und nehmen Sie die Propeller von den Motoren ab.

DJI Agrab-App

HINWEIS

1. Stellen Sie sicher, dass die Akkus der Fernsteuerung vollständig aufgeladen sind, bevor Sie die DJI Agrab-App starten.
2. Lesen Sie alle Sicherheitshinweise, Warnhinweise und Haftungsausschlüsse aufmerksam durch. Machen Sie sich mit den entsprechenden Vorschriften in Ihrer Region vertraut. Sie allein sind verantwortlich für die Einhaltung aller einschlägigen Vorschriften und für das entsprechende, regelkonforme Flugverhalten. Sie müssen in den folgenden Situationen unbedingt gut aufpassen:
 - a. Beim Einsatz der automatischen Startfunktion und der automatischen Landefunktion.
 - b. Bei der Einstellung der Flughöhe über das Standard-Limit hinaus.
3. Landen Sie Ihr Fluggerät sofort, wenn in der App eine entsprechende Aufforderung angezeigt wird.
4. Überprüfen Sie vor jedem Flug alle Warnhinweise auf der Fluggerät-Statusliste, die in der App angezeigt wird.
5. Machen Sie eine Zwischenspeicherung der Kartendaten des geplanten Flugeinsatzgebiets, indem Sie vor jedem Flug eine Verbindung zum Internet herstellen.

4G-Dongle

HINWEIS

1. Für einige Produktfunktionen in der DJI Agrab-App sind ein Dongle und eine SIM-Karte erforderlich und die Benutzer müssen dafür die Kosten tragen.
2. Stellen Sie sicher, dass Sie einen von DJI zugelassenen Dongle verwenden.
3. DJI übernimmt keine Haftung für Unfälle, die durch den Verlust von Benutzerdaten oder Fehlfunktionen des Fluggeräts entstehen, die auf die Verwendung von Dongles und SIM-Karten von Drittanbietern zurückzuführen sind.
4. Verwenden Sie nur SIM-Karten, die mit dem Dongle kompatibel sind.
5. Sie müssen den Dongle und die SIM-Karte ordnungsgemäß befestigen. Andernfalls stehen die entsprechenden Funktionen nicht zur Verfügung.

Pflege des Produkts

Aufbewahrung und Transport

⚠️ WARNUNG

Befolgen Sie die nachstehenden Regeln, um schwere Sachschäden und Personenschäden zu vermeiden:

1. Es ist gefährlich, kleine Teile zu verschlucken, wie z. B. feine Drähte und Riemenchen. Bewahren Sie alle Teile außerhalb der Reichweite von Kindern und Tieren auf.
2. Sie müssen vor dem Transport des Fluggeräts den Akku entfernen.
3. Entfernen oder entleeren Sie den Sprühtank vor dem Transport und bei Nichtverwendung, um Schäden am Landegestell zu vermeiden. Bewahren Sie das Fluggerät an einem kühlen und trockenen Ort auf.

Pflege und Wartung

⚠️ WARNUNG

Befolgen Sie die nachstehenden Regeln, um schwere Sachschäden und Personenschäden zu vermeiden:

1. Reinigen Sie alle Teile des Luftfahrzeugs am Ende eines jeden Sprühtages, nachdem das Luftfahrzeug wieder eine normale Temperatur erreicht hat. Reinigen Sie das Fluggerät NICHT sofort nach Beendigung der Arbeiten.
 - a. Füllen Sie den Sprühtank mit sauberem Wasser oder mit Seifenlauge. Lassen Sie das Wasser durch die Sprühdüsen ablaufen, bis der Tank leer ist. Wiederholen Sie den Schritt zweimal.

- b. Nehmen Sie den Sprühbehälter und den Sprühbehälteranschluss ab, um sie zu reinigen (nur bei T10). Entfernen Sie das Sieb des Sprühtanks, die Siebe der Sprühdüsen und die Sprühdüsen. Reinigen Sie die Teile und entfernen Sie alle Verstopfungen. Legen Sie dann alle Teile 12 Stunden lang in sauberes Wasser.
 - c. Stellen Sie sicher, dass die Fluggerätstruktur vollständig angeschlossen ist, damit sie direkt mit Wasser gewaschen werden kann. Es wird empfohlen, das Fluggerätegehäuse mit einem mit Wasser gefüllten Sprühwäscher zu reinigen und mit einer weichen Bürste oder einem feuchten Tuch abzuwischen. Verwenden Sie dann zur Reinigung von Wasserflecken ein trockenes Tuch.
 - d. Wenn sich Staub oder Pestizidflüssigkeit auf den Motoren, Propellern oder Kühlkörpern befindet, wischen Sie diese mit einem feuchten Tuch ab, bevor Sie die restlichen Wasserreste mit einem trockenen Tuch reinigen.
 - e. Bewahren Sie das gereinigte Fluggerät an einem trockenen Ort auf.
2. Wischen Sie die Oberfläche und den Bildschirm der Fernsteuerung täglich nach dem Gebrauch mit einem sauberen, feuchten Tuch ab. Das Tuch darf nicht nass sein.
 3. Das Fluggerät muss alle 100 Flüge oder nach einem Flug von mehr als 20 Stunden einer Inspektion unterzogen werden:
 - a. Überprüfen Sie das Fluggerät auf abgenutzte Propeller.
 - b. Überprüfen Sie das Fluggerät auf lockere Propeller. Ersetzen Sie nach Bedarf die Propeller und die Propellerscheiben.
 - c. Überprüfen Sie das Fluggerät auf vorzeitige Alterung des Kunststoffs oder der Gummiteile.
 - d. Überprüfen Sie das Fluggerät auf schlechte Atomisierung der Sprühdüsen. Die Sprühdüsen müssen gründlich gereinigt oder ersetzt werden.
 - e. Ersetzen Sie die Siebe der Sprühdüsen und das Sieb des Sprühtanks.
 4. Versuchen Sie nicht, das Fluggerät zu reparieren. Kontaktieren Sie den DJI Support oder einen DJI-Vertragshändler, wenn Teile beschädigt sind.

HINWEIS

1. Halten Sie die Schutzabdeckung des Radarmoduls sauber. Reinigen Sie die Oberfläche der Schutzabdeckung mit einem sauberen, feuchten Tuch. Lassen Sie die Schutzabdeckung vor erneutem Gebrauch in der Luft trocknen.
2. Die FPV-Kamera muss immer sauber sein. Entfernen Sie zuerst alle größeren Partikel, wie z. B. Sandkörner. Wischen Sie dann das Objektiv mit einem sauberen, weichen Tuch ab, um Staub oder Schmutz zu entfernen.
3. Im Falle eines Absturzes oder eines Zusammenstoßes müssen Sie unbedingt alle Teile des Fluggeräts gründlich überprüfen und vor Ihrem nächsten Flug alle notwendigen Reparaturen durchführen oder eventuell Teile ersetzen. Kontaktieren Sie den DJI Support oder einen DJI-Vertragshändler, wenn Sie irgendwelche Probleme oder Fragen haben.

Anforderungen an die Flugbedingungen

Wetterbedingungen und Umfeld

⚠️ WARNUNG

Das Fluggerät ist auf den Betrieb bei günstigen bis mäßigen Wetterverhältnissen ausgelegt. Befolgen Sie die nachstehenden Regeln, um einen Zusammenstoß, schwere Verletzungen an Personen und schwere Sachschäden oder Gesundheitsrisiken zu vermeiden:

1. Betreiben Sie das Fluggerät NICHT bei ungünstigen Wetterbedingungen, wie z. B. bei Windgeschwindigkeiten von über 28 km/h, starkem Regen (Niederschlagsmengen von über 25 mm in 12 Stunden), Schnee oder Nebel.
2. Betreiben Sie das Fluggerät zum Sprühen bei Windgeschwindigkeiten von unter 18 km/h, um Gesundheitsrisiken für Personen, die sich in der Nähe befinden, zu vermeiden und wirksames Sprühen zu gewährleisten.
3. Sorgen Sie dafür, dass sich das Fluggerät während des Flugs mindestens 10 Meter von Personen, Tieren, Bäumen, Gewässern und anderen Hindernissen entfernt befindet, wie z. B. Gebäude und

- öffentliche Infrastruktur. Halten Sie bei steigender Flughöhe noch mehr Abstand zu den oben genannten Objekten oder Hindernissen.
 - 4. Fliegen Sie NICHT mehr als 4,5 km über dem Meeresspiegel.
5. Die DJI Aeras App empfiehlt auf intelligente Weise das Zuladungsgewicht des Tanks entsprechend dem aktuellen Status und der Umgebung des Fluggeräts. Wenn Sie Material in den Tank einfüllen, sollte das maximale Gewicht den empfohlenen Wert nicht überschreiten. Andernfalls kann die Flugsicherheit beeinträchtigt werden.
 6. Die Teile des Fluggeräts dürfen NICHT in Innenräumen betrieben werden.

HINWEIS

1. Die Leistung von Fluggerät und Akku ist abhängig von Umgebungsbedingungen wie der Luftdichte und der Temperatur.
 - a. Ab einer Flughöhe von 2 km über dem Meeresspiegel kann die Leistung des Akkus und Fluggeräts beeinträchtigt werden. Fliegen Sie deshalb vorsichtig.
2. Verwenden Sie das Fluggerät NICHT in der Nähe von Unfällen, Feuer, Explosionen, Fluten, Tsunamis, Lawinen, Erdstößen, Erdbeben, Staub oder Sandstürmen.
3. Bei Umgebungen mit niedrigen Temperaturen zwischen 0 °C und 10 °C müssen Sie dafür sorgen, dass der Fluggerätakku vollständig aufgeladen ist. Außerdem müssen Sie unbedingt die Nutzlast des Fluggeräts reduzieren. Andernfalls wird die Flugsicherheit beeinträchtigt oder es tritt ein Start-Limit ein.

Störung der Flugsteuerung und der Kommunikation

HINWEIS

1. Fliegen Sie in offenen Geländen und Bereichen. Hohe Gebäude, Stahlbauten, Berge, Felsen oder Wälder können die Genauigkeit des Kompasses an Bord beeinträchtigen und sowohl das GNSS-Signal als auch das Fernsteuerungssignal blockieren.
2. Vermeiden Sie den Gebrauch von kabellosen Geräten mit denselben Frequenzbändern, die auch von der Fernsteuerung verwendet werden.
3. Die Empfindlichkeit des Radarmoduls wird eventuell verringert, wenn mehrere Fluggeräte in nur geringer Distanz betrieben werden. Lassen Sie beim Betrieb des Fluggeräts Vorsicht walten.
4. Bei Verwendung mit mehreren Fluggeräten, einschließlich T30, T10 und anderen Fluggeräten, stellen Sie sicher, dass der Abstand zwischen den einzelnen Fluggeräten mehr als 10 m beträgt, um Störungen zu vermeiden.
5. Bei Verwendung der „Multi-Aircraft Control“-Funktion (Funktion zur Steuerung mehrerer Fluggeräte) dürfen nicht mehr als drei Gruppen innerhalb eines Radius von 50 m betrieben werden, um Betriebsstörungen zu vermeiden.
6. Passen Sie gut auf, wenn Sie in der Nähe von Geländen mit elektromagnetischen Störungen und Funkstörungen fliegen. Dazu gehören, ohne darauf beschränkt zu sein, Hochspannungsleitungen, große Umspannstationen oder mobile Basisstationen und Sendemasten. Andernfalls kann die Übertragungsqualität dieses Produkts beeinträchtigt werden, oder es können Übertragungsfehler auftreten, die sich auf die Fluglage und die Ortungsgenauigkeit auswirken. In Bereichen mit zu starker Signalstörung verhält sich das Fluggerät möglicherweise ungewöhnlich oder lässt sich nicht mehr einwandfrei steuern.
7. Wird der RTK-Dongle zur Feldplanung verwendet, dann muss das Modul nach der durchgeführten Planung von der Fernsteuerung getrennt werden. Andernfalls wird die Kommunikationsleistung der Fernsteuerung beeinträchtigt.

Verantwortlicher Umgang und Betrieb des Fluggeräts

⚠️ WARNUNG

Befolgen Sie die nachstehenden Regeln, um schwere Sachschäden und Personenschäden zu vermeiden:

1. Beim Betrieb des Fluggeräts dürfen Sie nicht unter dem Einfluss von Alkohol, Drogen oder Betäubungsmitteln stehen oder an Schwindel, Müdigkeit, Übelkeit oder an ähnlichen physischen und mentalen Zuständen leiden, die Ihre Fähigkeit, das Fluggerät sicher zu betreiben, beeinträchtigen könnten.

2. Sie dürfen die Motoren während des Flugs NICHT stoppen, außer wenn dadurch in einem Notfall das Risiko von Schäden oder Verletzungen verringert werden kann.
3. Schalten Sie nach der Landung zuerst das Fluggerät und dann die Fernsteuerung aus.
4. KEINE gefährlichen Nutzlasten auf Gebäude, Personen oder Tiere fallen lassen, schleudern oder auf andere Weise abwerfen. Unterlassen Sie alles, was zu Personenschäden oder Sachschäden führen kann.

HINWEIS

1. Bedienen Sie das Fluggerät nur mit ausreichendem Training und erstellen Sie für Notfälle und Unfälle einen Notfallplan.
2. Sorgen Sie dafür, dass Sie einen Flugplan haben. Fliegen Sie das Fluggerät NIEMALS fahrlässig und leichtfertig.
3. Verwenden Sie dieses Produkt NICHT für einen illegalen oder unangebrachten Zweck, wie z. B. Bespitzelung, Militäroperationen oder unberechtigte Ermittlungen.
4. Verwenden Sie dieses Produkt NICHT, um andere zu diffamieren, zu missbrauchen, zu belästigen, zu verfolgen, zu bedrohen oder auf andere Weise die gesetzlichen Rechte, wie das Recht auf Privatsphäre und Öffentlichkeitsrecht, anderer zu verletzen.
5. Überfliegen Sie NICHT das Privateigentum anderer und begehen Sie keinen Hausfriedensbruch.

Flugmodi, Betriebsmodi, Funktionen und Warnhinweise

Flugmodi

HINWEIS

Modus „P“ (Positionsbestimmung): Das Fluggerät verwendet GNSS oder das RTK-Modul zur Positionsbestimmung. Bei starkem GNSS-Signal verwendet das Fluggerät GNSS zur Positionsbestimmung. Ist das RTK-Modul aktiviert und die differenzielle Datenübertragung stabil, dann stellt es eine zentimetergenaue Positionsbestimmung bereit. Bei schwachem GNSS-Signal oder wenn der Kompass einer Störung ausgesetzt ist, kehrt es zum Modus „A“ zurück.

Der Flugmodus ist standardmäßig „P“.

Modus „A“ (Fluglage): GNSS wird nicht zur Positionsbestimmung eingesetzt und das Fluggerät kann die Flughöhe nur unter Verwendung des Barometers aufrechterhalten. Die Fluggeschwindigkeit im Modus „A“ hängt von den Umgebungsbedingungen ab, wie z. B. Windgeschwindigkeit. Das Fluggerät kann im Modus „A“ seine Position nicht bestimmen und wird leicht von den Umgebungsbedingungen beeinträchtigt, was zu einer horizontalen Verlagerung führen kann. Verwenden Sie die Fernsteuerung zur Ausrichtung des Fluggeräts.

Das Manövrieren des Fluggeräts im A-Modus kann schwierig sein. Vermeiden Sie das Fliegen in begrenzten Bereichen mit schwachem GNSS-Signal. Andernfalls wechselt das Fluggerät auf den Modus „A“. Dies führt zu potenziellen Flugrisiken. Landen Sie das Fluggerät sofort an einem sicheren Ort.

Betriebsmodi

⚠️ WARNUNG

Befolgen Sie die nachstehenden Regeln, um schwere Sachschäden und Personenschäden zu vermeiden:

1. Sie müssen unbedingt vor der Verwendung des Fluggeräts das Fluggerätverhalten bei allen Betriebsmodi verstehen.
2. Vermeiden Sie Hindernisse in der Nähe der Flugroute. Behalten Sie das Fluggerät immer auf Sichtlinie. Sie müssen stets den Status des Fluggeräts kennen.
3. Betreiben Sie beim Empfang eines starken GNSS-Signals das Fluggerät nur in den Betriebsmodi „Route“ oder „Route A-B“.

Ausfallsicherung und automatische Rückkehrfunktion

HINWEIS

1. Rückkehrfunktion (Return to Home, RTH) funktioniert nicht, wenn das GNSS-Signal schwach oder unterbrochen ist.
2. Hohe Gebäude können die Rückkehrfunktion beeinträchtigen. Es ist daher wichtig, vor jedem Flug eine angemessene sicherheitsbedingte Flughöhe einzustellen. Passen Sie beim Rückflug die Fluggerätposition, Flughöhe und Fluggeschwindigkeit an, um bei einem starken Fernsteuerungssignal Hindernisse zu vermeiden.
3. Sorgen Sie dafür, dass Sie das Fluggerät innerhalb der Übertragungsbereichweite der Fernsteuerung fliegen.
4. Verwenden Sie die Rückkehrfunktion nur in Notfällen, da diese durch Wetterbedingungen, bestimmte Umgebung und nahegelegene Magnetfelder beeinträchtigt werden kann.
5. Befindet sich ein Hindernis innerhalb eines Abstands von 20 m zum Fluggerät, dann bremst das Fluggerät ab, stoppt und verweilt im Schwebeflug. Das Fluggerät verlässt die Rückkehrfunktion (RTH) und wartet auf weitere Befehle.
6. Wenn die Rückkehrfunktion (RTH) während des Routenbetriebs ausgelöst wird, kann das Fluggerät einen Flugweg für RTH planen, um die bei der Planung eines Feldes hinzugefügten Hindernisse zu umgehen.

Niedriger Akkustand

HINWEIS

1. Eine Warnung „Kritischer Akkustand“ aktiviert wird und das Fluggerät automatisch sinkt, dann drücken Sie den Beschleunigungs-Steuerknüppel nach oben, um die Flughöhe des Fluggeräts beizubehalten. Navigieren Sie das Fluggerät dann zu einem Ort, der besser zur Landung geeignet ist.
2. Wenn die Akkuwarnhinweise ausgelöst werden, dann steuern Sie das Fluggerät umgehend zum Startpunkt zurück oder landen Sie es, um einen Stromausfall während des Fluges zu vermeiden, was zu Schäden am Fluggerät führt. Außerdem können Sachschäden entstehen und Menschen und Tiere verletzt werden.

Leerer Tank

HINWEIS

1. Bei leerem Sprühtank wird in der DJI Agras-App eine entsprechende Aufforderung angezeigt. Gleichzeitig verweilt das Fluggerät im Schwebeflug. In den Betriebsmodi „Route“, „Route A-B“ und „Manual Plus“ kann das Fluggerät anstelle des Schwebeflugs zum Aufstieg oder zur Rückkehr zum Startpunkt eingestellt werden. Weitere Informationen zu den Betriebsmodi finden Sie im Benutzerhandbuch.

Einhaltung von Vorschriften und Flugbeschränkungen

Vorschriften

⚠️ WARNUNG

Befolgen Sie unbedingt die folgenden Regeln, um Rechtsverstöße und schwere Personenschäden und Sachschäden zu vermeiden:

1. Am Fluggerät dürfen KEINE Änderungen vorgenommen werden. Sie dürfen das Fluggerät nur für landwirtschaftliche Zwecke verwenden.
2. Betreiben Sie das Fluggerät unabhängig von der Flughöhe NICHT in der Nähe bemannter Fluggeräte. Wenn es notwendig ist, dann müssen Sie sofort landen.
3. Fliegen Sie das Fluggerät NICHT in Bereichen, in denen große Veranstaltungen stattfinden, wie z. B. Sportveranstaltungen und Konzerte.
4. Fliegen Sie das Fluggerät NICHT in Bereichen, in denen dies durch örtliche Gesetze verboten ist.

5. Halten Sie sich von bemannten Fluggeräteinsätzen fern und stören Sie diese NICHT. Sie müssen stets auf andere Fluggeräte und Hindernisse achten und diese vermeiden.

ACHTUNG

Befolgen Sie unbedingt die folgenden Regeln, um Rechtsverstöße und schwere Personenschäden und Sachschäden zu vermeiden:

1. Fliegen Sie das Fluggerät NICHT in Flugbeschränkungsgebieten oder in der Nähe von Flugbeschränkungsgebieten, die in örtlichen Gesetzen und Vorschriften festgelegt wurden. Flugbeschränkungsgebiete umfassen, sind aber nicht begrenzt auf, Flughäfen, Grenzen zwischen zwei souveränen Ländern oder Regionen, Großstädte und Gegenden, in denen temporäre Veranstaltungen oder Aktivitäten abgehalten werden. Hinweis: Flugbeschränkungsgebiete werden ständig aktualisiert.
2. Fliegen Sie das Fluggerät NICHT über die zugelassene Flughöhe hinaus.
3. Sorgen Sie dafür, dass Sie Ihr Fluggerät immer im Blick behalten. Lassen Sie sich zur Beobachtung des Fluggeräts gegebenenfalls von einer anderen Person helfen.
4. Sie dürfen das Fluggerät NIEMALS dazu verwenden, illegale oder gefährliche Nutzlasten zu tragen.

HINWEIS

1. Sie müssen unbedingt den Zweck Ihres Flugbetriebs verstehen, wie z. B. zur Freizeitgestaltung, öffentlichen Nutzung oder kommerziellen Nutzung. Sie müssen unbedingt vor dem Flug die entsprechende Genehmigung und Freigabe der zuständigen Behörden erhalten haben. Lassen Sie sich von den lokalen Aufsichtsbehörden über umfassende Definitionen und bestimmte Anforderungen aufklären und beraten. Die aktuellen Anweisungen und Warnhinweise zum Produkt finden Sie auf <http://www.dji.com>. Weitere Informationen zu Flugsicherheit und Einhaltung der einschlägigen Vorschriften finden Sie auf <https://dji.com/flysafe>. Hinweis: Ferngesteuerte Fluggeräte sind in bestimmten Ländern und Regionen eventuell nicht zur Durchführung kommerzieller Aktivitäten zugelassen. Prüfen und befolgen Sie vor dem Flug alle Gesetze und Verordnungen, da diese gegebenenfalls von den hier beschriebenen Regeln und Bestimmungen abweichen.
2. Umfliegen Sie NICHT sensible Infrastrukturen oder Grundstücke, wie z. B. Kraftwerke, Wasseraufbereitungsanlagen, Justizvollzugsanstalten, stark befahrene Straßen, Regierungsgebäude, Militärzonen usw.

Flugbeschränkungen

HINWEIS

DJI nimmt Flugsicherheit sehr ernst. Daher haben wir verschiedene Hilfestellungen entwickelt, die den Anwendern dabei helfen, beim Fliegen die örtlichen Gesetze und Vorschriften einzuhalten. Wir empfehlen, die Firmware mit der neuesten Version zu aktualisieren, um die folgenden Funktionen auf den aktuellen Stand zu bringen:

GEO-Zonen

1. Alle GEO-Zonen sind auf der offiziellen DJI-Website aufgeführt: <http://www.dji.com/flysafe>. GEO-Zonen sind in verschiedene Kategorien unterteilt. Die GEO-Zonen umfassen, sind aber nicht beschränkt auf, folgende Orte: Flughäfen und Flugfelder, in denen bemannte Fluggeräte in niedrigen Flughöhen geflogen werden, Grenzen zwischen zwei souveränen Ländern oder Regionen, sensible Standorte wie Kraftwerke oder Gelände, auf denen Großveranstaltungen stattfinden.
2. Flugbeschränkungen hängen von der Zone ab. Je nach den Beschränkungen in einer bestimmten Zone werden in der DJI Agras-App Warnhinweise angezeigt. Der Start kann möglicherweise verboten werden. Die Flughöhe kann beschränkt sein oder es kann vorkommen, dass das Fluggerät automatisch reagiert und z. B. selbstständig landet.
3. Befindet sich das Fluggerät inmitten oder in der Nähe einer GEO-Zone, dann werden Funktionen, die mit dem Flugbetrieb zusammenhängen, beeinträchtigt. Befindet sich das Fluggerät inmitten oder in der Nähe einer GEO-Zone, dann kann es sein, dass eine Flugaufgabe nicht erstellt werden kann oder eine Flugaufgabe, die im Gange ist, unterbrochen wird. Hinweis: Die Auswirkungen sind nicht nur auf die oben genannten Auswirkungen beschränkt.

Höhenlimit

1. Fliegen Sie NICHT höher als 100 m über dem Boden, und bleiben Sie fern von allen Hindernissen, die sich in der Umgebung befinden.

Entfernungsbegrenzung (Distanz-Limit)

1. Die maximale Flugdistanz beträgt standardmäßig 1 km. Hinweis: Es kann sein, dass der Akkustand für die Rückkehr des Fluggeräts zum Startpunkt nicht ausreicht, wenn das Fluggerät zu weit entfernt ist. Sie müssen beim Fliegen unbedingt Vorsicht walten lassen.

Exportkontrollen

Die geltenden gesetzlichen Exportkontrollgesetze einhalten

Sie werden darauf hingewiesen, dass der Export, erneute Export und Transfer von Produkten unter das chinesische Exportkontrollgesetz und andere anwendbare Exportkontrollgesetze und Sanktionen (alle zusammen nachstehend „Exportkontrollgesetze“ genannt) fallen. Bevor Sie die Produkte benutzen, verkaufen, transferieren, vermieten oder anderweitig mit ihnen umgehen, müssen Sie, sofern dies nicht ausdrücklich unter den Exportkontrollgesetzen erlaubt oder von den zuständigen Behörden genehmigt wurde, insbesondere prüfen und durch geeignete Maßnahmen sicherstellen, dass:

1. Kein Embargo verletzt wird, das durch Exportkontrollgesetze verhängt wurde.
2. Die Produkte juristischen Personen, Organisationen und Personen auf allen geltenden Sanktionslisten nicht zugänglich gemacht werden.
3. Die Produkte nicht zum Gebrauch im Zusammenhang mit Waffen und Rüstung, chemischen und biologischen Waffen, Atomwaffen oder Anwendungen von Raketentechnologie bestimmt sind.

Export-Compliance, Haftungsausschluss, Schadensersatz

Sie erkennen an, dass Sie dafür verantwortlich sind, die chinesischen Exportkontrollgesetze und alle anderen anwendbaren Exportkontrollgesetze einzuhalten. Sie tragen die alleinige Verantwortung, wenn Ihr Gebrauch, Ihr Verkauf, Ihre Übereignung, Ihre Vermietung oder Ihr anderweitiger Umgang mit den Produkten den geltenden gesetzlichen Ausführungsbeschränkungen widerspricht. DJI ist unter keinen Umständen verantwortlich für Ihre Verletzung jeglicher geltender gesetzlicher Ausführungsbeschränkungen. Weiterhin werden Sie DJI, dessen Tochtergesellschaften, Direktoren, leitende Angestellte, Mitarbeiter, Bevollmächtigte und Stellvertreter hinsichtlich jeglicher Haftungen, Ansprüche, Forderungen, Klagen, Aufwendungen (einschließlich zumutbarer Anwaltskosten), Schadensersatzforderungen, Verluste oder Verbindlichkeiten jeglicher Art schad- und klaglos halten, die aus Ihrer Nichteinhaltung der geltenden gesetzlichen Ausführungsbeschränkungen entstehen, angeblich aus ihr entstehen oder mit ihr in Zusammenhang stehen.

Dieser Inhalt kann ohne vorherige Ankündigung geändert werden.

Laden Sie die aktuelle Version hier herunter:
<http://www.dji.com/t30>

AGRAS und  sind Markenzeichen von DJI. Copyright © 2021 DJI. Alle Rechte vorbehalten.



Seguridad de un vistazo



La aeronave AGRAS™ T30/T10 no es un juguete ni es adecuada para menores de 18 años.

Tenga en cuenta que el apartado "Seguridad de un vistazo" solamente proporciona una descripción general rápida de los consejos de seguridad. Asegúrese de leer y entender este documento y el manual de usuario de AGRAS T30/T10.

1. Uso de pesticidas

- Evite usar pesticidas en polvo en la medida de lo posible, ya que pueden reducir la vida útil del sistema de rociado. Los pesticidas son venenosos y suponen un grave riesgo para la seguridad de las personas. Utilícelos siguiendo estrictamente sus indicaciones de uso.
- Los residuos presentes en el equipo debido a salpicaduras o derrames al verter y mezclar el pesticida pueden irritar la piel. Asegúrese de limpiar el equipo después de efectuar la mezcla.
- Utilice agua limpia para mezclar el pesticida y filtre el líquido mezclado antes de verterlo en el tanque de rociado para evitar atascar el filtro. Elimine cualquier obstrucción antes de usar el equipo.
- Al proceder al rociado del pesticida, procure situarse en una ubicación con viento a favor para evitar que el pesticida rociado le provoque daños corporales.
- Lleve ropa protectora para evitar el contacto directo con el pesticida. Después de manipular pesticidas, lávese las manos y la piel a fondo. Limpie la aeronave y el control remoto tras aplicar el pesticida.
- El uso efectivo de pesticidas depende de los siguientes factores: densidad del pesticida, velocidad de rociado, distancia de rociado, velocidad de la aeronave, velocidad del viento, dirección del viento, temperatura y humedad. Considere todos los factores cuando use pesticidas, pero NO comprometa la seguridad de las personas, los animales ni el medio ambiente al hacerlo.
- NO contamine ríos ni fuentes de agua potable.
- Eliminación del excedente de pulverización: La planificación de las operaciones de pulverización ayuda a garantizar que solo se compre el volumen de pesticida necesario para el área a tratar y que se minimice el excedente de la solución de pulverización. Se recomienda aplicar a los cultivos cualquier excedente de pulverización o de líquido de limpieza que quede en el tanque. Además, a los usuarios quizás les convenga colocar un conducto con que gestionar la eliminación del líquido de limpieza que haya en el tanque.
- NO utilice ácidos o bases fuertes, líquidos a altas temperaturas, ni pesticidas que estén prohibidos de manera expresa.

2. Consideraciones medioambientales

- Opere la aeronave en ubicaciones de vuelo que estén alejadas de edificios y otros obstáculos. NO vuele cerca ni por encima de aglomeraciones de personas.
- NO vuele a más de 4.5 km (14763 ft) sobre el nivel del mar.
- Vuele solamente en condiciones climáticas moderadas con temperaturas que oscilen entre 0 °C y 45 °C (32 °F y 113 °F).
- Asegúrese de que sus operaciones no infrinjan las leyes ni regulaciones aplicables, y que haya obtenido todas las autorizaciones previas apropiadas. Consulte a la agencia o entidad gubernamental correspondiente, o a su abogado antes del vuelo para asegurarse de que cumple con todas las leyes y regulaciones pertinentes.
- NO haga funcionar los componentes de la aeronave en interiores.

3. Lista de comprobación previa al vuelo

Asegúrese de verificar lo siguiente:

- Las baterías del control remoto y de la aeronave están completamente cargadas.
- Todos los componentes están en buen estado. Reemplace los componentes desgastados o rotos antes del vuelo.
- El tren de aterrizaje y el tanque de rociado están bien sujetos en el lugar correspondiente.
- Las hélices y los brazos del bastidor están desplegados y los seguros de los brazos están firmemente apretados. Las hélices están en buen estado y apretadas firmemente. No hay ningún elemento que obstruya los motores y las hélices.
- NO bloquee la posición de la carcasa de la aeronave en la que el radar superior se encuentra en la parte inferior.

- El sistema de rociado no está atascado y funciona correctamente.
- La brújula se ha calibrado una vez que la aplicación así lo indique.

4. Descripción del índice de protección

En condiciones de funcionamiento normales, la aeronave es resistente al agua, al polvo y a la corrosión. En condiciones de laboratorio estables, la aeronave (Batería de Vuelo Inteligente no incluida) alcanza un índice de protección IP67 (conforme a la norma IEC 60529) y se puede limpiar con pequeños volúmenes de agua. Sin embargo, este índice de protección no es permanente y puede verse reducido después de un uso prolongado debido al envejecimiento y al desgaste. La garantía del producto no cubre daños por agua.

Los índices de protección de la aeronave mencionados anteriormente pueden disminuir en los siguientes casos:

- Si hay una colisión y la estructura de sellado se deforma.
- Si la estructura de sellado de la carcasa se rompe o resulta dañada.
- Si las cubiertas impermeables no se colocan correctamente.

5. Funcionamiento

- Manténgase alejado de las hélices y los motores en movimiento.
- Antes de volar, asegúrese de que el peso de despegue de la aeronave no supere el máximo especificado, a fin de evitar riesgos para la seguridad.
- La aplicación DJI Agras suele recomendar inteligentemente el peso de carga útil del depósito en función del estado y del entorno actuales de la aeronave. Al añadir material al tanque, el peso máximo no debe superar el valor recomendado; de lo contrario, la seguridad del vuelo se podría ver afectada.
- Mantenga la aeronave dentro de su alcance visual (VLOS, por sus siglas en inglés) en todo momento.
- NO utilice el comando de palancas combinado (CSC) ni otros métodos para detener los motores, cuando la aeronave esté en el aire, a menos que se trate de una situación de emergencia.
- NO responda a las llamadas entrantes durante el vuelo. NO vuele bajo los efectos del alcohol ni de las drogas.
- Si hay una advertencia de batería baja, opere la aeronave de modo que aterrice en una ubicación segura.
- Si el módulo de radar no funciona adecuadamente en el entorno operativo, la aeronave no tendrá capacidad para sortear obstáculos durante el procedimiento de regreso al punto de origen (RPO). Lo único que se podrá ajustar es la velocidad y la altitud de vuelo, siempre que el control remoto siga conectado a la aeronave.
- Después de aterrizar, detenga los motores, apague la aeronave y apague el control remoto. De lo contrario, la aeronave puede entrar en RPO de seguridad automáticamente debido a la pérdida de la señal del control remoto.
- Mantenga el control total de la aeronave en todo momento y no confíe únicamente en la aplicación DJI Agras. La función del sistema anticollision está deshabilitada en ciertas situaciones. Mantenga la aeronave dentro de su alcance visual y preste mucha atención al vuelo de esta. Aplique su criterio al pilotar la aeronave y sortee manualmente los obstáculos dejando un margen amplio. Es importante establecer una altitud de seguridad y RPO apropiados antes de cada vuelo.

6. Mantenimiento y cuidado

- NO utilice hélices desgastadas, astilladas ni rotas.
- Para impedir que el tren de aterrizaje sufra desperfectos, retire o vacíe el tanque de rociado cuando vaya a transportar la aeronave o cuando no esté en uso.
- La temperatura de almacenamiento recomendada (cuando el tanque de rociado, el caudalímetro, las bombas y las mangueras están vacíos) es de entre -20 y 40 °C (-4 y 104 °F).
- Limpie la aeronave inmediatamente después de rociar. Inspeccione la aeronave con regularidad. Consulte el apartado "Cuidado del producto" para obtener más información sobre pautas de mantenimiento.

7. Cumplimiento de la legislación y normativas locales

- Encontrará una lista de DJI™ de Zonas GEO en la página <http://www.dji.com/flysafe>. Tenga en cuenta que las Zonas GEO de DJI no sustituyen a las normativas de las autoridades locales ni al sentido común.
- Evite volar a altitudes superiores a 100 m (328 ft).*

* El límite de altitud de vuelo varía entre países o regiones. Asegúrese de volar a las alturas descritas por las leyes y regulaciones locales.



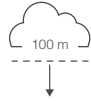
+



+



+



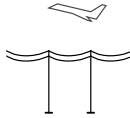
Vuele en espacios abiertos

Señal intensa de GNSS

Alcance visual (VLOS)

Vuele por debajo de 100 m (328 ft)

ES

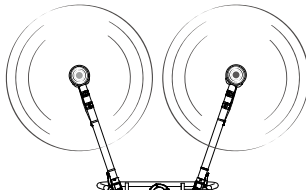
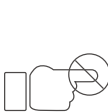


Evite volar sobre o cerca de multitudes, líneas de alta tensión o cuerpos de agua.

Las fuentes electromagnéticas fuertes, como **las líneas de tensión, las estaciones base y los edificios altos** pueden afectar la brújula de a bordo.



NO utilice la aeronave en condiciones meteorológicas adversas, como vientos que superen los 28 km/h (17 mph), lluvias intensas (tasa de precipitación superior a 25 mm (0.98 pulgadas) en 12 horas), niebla, nieve, rayos, tornados o huracanes.



Zonas GEO

Manténgase alejado de las hélices y los motores en movimiento.

Más información en:
<http://www.dji.com/flysafe>

Aviso

Todas las instrucciones y otros documentos suplementarios están sujetos a cambios a criterio exclusivo de SZ DJI TECHNOLOGY CO., LTD. Para obtener información actualizada sobre el producto, visite <http://www.dji.com> y haga clic en la página del producto.

Glosario

Los siguientes términos se usan en la documentación del producto para indicar diferentes niveles de daños potenciales al utilizar este producto:

AVISO Procedimientos que, de no seguirse correctamente, pueden ocasionar daños materiales y lesiones.

MISE EN GARDE Procedimientos que, de no seguirse correctamente, pueden ocasionar daños materiales y lesiones graves.

AVERTISSEMENT Procedimientos que, de no seguirse correctamente, pueden ocasionar daños materiales, daños colaterales y lesiones graves o tienen una alta probabilidad de ocasionar lesiones graves.



AVERTISSEMENT

Lea todo el manual del usuario para familiarizarse con las características de este producto

antes de ponerlo en funcionamiento. Si al utilizar este producto no lo hace de una forma segura y responsable puede provocar daños al producto o a otras propiedades, además de lesiones graves. Este es un producto sofisticado. Se debe usar con precaución y sentido común y, además, se requiere capacidad mecánica básica. Este producto no está destinado a niños. No lo utilice con componentes incompatibles ni altere este producto de ningún modo que no sea el indicado en los documentos facilitados por SZ DJI TECHNOLOGY CO., LTD. Estas directrices de seguridad contienen las instrucciones de seguridad, funcionamiento y mantenimiento. Es fundamental que lea y siga todas las instrucciones y advertencias que aparecen en el manual de usuario antes del montaje, la configuración o el uso, con el fin de usar el producto correctamente y de evitar daños o lesiones graves.

Lista de comprobación previa al vuelo

Asegúrese de verificar lo siguiente:

1. Utilice únicamente piezas originales en buen estado.
2. El control remoto y las baterías de la aeronave están completamente cargados. Si va a utilizar una Batería Inteligente externa, no olvide asegurarse de que la batería interna tenga algo de carga. De lo contrario, el control remoto no se podrá encender.
3. Las hélices están en buenas condiciones y están montadas en los motores de forma correcta y segura.
4. Las hélices y los brazos del bastidor están desplegados y los seguros de los brazos están firmemente apretados.
5. Los motores están montados de forma segura, y arrancan y funcionan normalmente.
6. El tren de aterrizaje, el tanque de rociado y la batería de vuelo inteligente están bien sujetos en su lugar de montaje.
7. Todas las piezas están montadas de forma segura; los cables están conectados correctamente y con firmeza.
8. No hay obstrucciones en las antenas de la D-RTK™, las antenas del OCUSSYNC™, ni en la posición de la carcasa de la aeronave en la que el radar superior se encuentra en la parte inferior.
9. El firmware de la aeronave y la aplicación DJI AGRAS se han actualizado a las últimas versiones.
10. Su área de vuelo está fuera de cualquier zona GEO y las condiciones de vuelo son adecuadas para volar la aeronave.
11. Asegúrese de no estar volando bajo la influencia del alcohol, las drogas o cualquier sustancia que pueda afectar a sus capacidades cognitivas.
12. Familiarícese con el modo de vuelo seleccionado y conozca todas las funciones y advertencias de seguridad.
13. Asegúrese de cumplir con todas las regulaciones locales, obtener las autorizaciones adecuadas y comprender los riesgos. Es su responsabilidad exclusiva cumplir todas las normativas de vuelo.
14. La aplicación DJI AGRAS se inicia correctamente para ayudarle a pilotar la aeronave. Sin los datos de vuelo que registra la aplicación DJI AGRAS y que se almacenan en el control remoto, en determinadas situaciones, como la pérdida de la aeronave, es posible que DJI no pueda proporcionar asistencia posventa ni asumir responsabilidad alguna.

Renuncia de responsabilidad y advertencias

Este producto NO es un juguete y no es adecuado para menores de 18 años. Las personas adultas deben mantener la aeronave fuera del alcance de los niños y NO deben pilotarla en presencia de estos.

Un uso inapropiado del producto podría provocar lesiones personales o daños materiales. Lea los materiales asociados con el producto antes de usarlo por primera vez. Encontrará dicha documentación en el embalaje y también online, en la página del producto de DJI en <http://www.dji.com>.

Este producto es una plataforma de vuelo multirrotor diseñada únicamente para aplicaciones agrícolas en tierras de cultivo, bosques y huertos. Permite volar con facilidad si se encuentra en buenas condiciones de funcionamiento, tal y como se establezca a continuación. Visite <http://www.dji.com> para obtener las instrucciones y advertencias más actualizadas, y <https://www.dji.com/flysafe> para obtener más información sobre seguridad de vuelo y comodidad.

La información incluida en este documento afecta a su seguridad, y a sus derechos y responsabilidades legales. Lea este documento en su totalidad para garantizar una configuración adecuada antes de su uso. Si no lee y respeta las instrucciones y advertencias de este documento, puede provocar la pérdida del producto, lesiones graves a sí mismo o daños en la aeronave.

Al usar este producto, por la presente confirma que ha leído esta renuncia de responsabilidad detenidamente junto con el manual del usuario y que entiende y da su visto bueno a los términos y condiciones presentes. SALVO QUE LAS POLÍTICAS DE SERVICIO POSVENTA DE DJI DISPONIBLES EN LA PÁGINA [HTTP://WWW.DJI.COM/SERVICE](http://WWW.DJI.COM/SERVICE) INDIQUEN LO CONTRARIO DE MANERA EXPRESA, EL PRODUCTO Y TODOS LOS MATERIALES, INCLUIDOS LOS CONTENIDOS DISPONIBLES A TRAVÉS DE ÉL. SE SUMINISTRAN "EN SU ESTADO ACTUAL" Y "SEGÚN DISPONIBILIDAD", PERO SIN GARANTÍAS NI CONDICIONES DE NINGÚN TIPO, YA SEAN EXPRESAS O IMPLÍCITAS. A EXCEPCIÓN DE LO QUE SE INDIQUE EXPRESAMENTE EN LAS POLÍTICAS DE SERVICIO POSVENTA DE DJI, DJI RECHAZA EXPRESAMENTE TODAS LAS GARANTÍAS, EXPRESAS O IMPLÍCITAS, EN RELACIÓN CON EL PRODUCTO, LOS ACCESORIOS DEL PRODUCTO Y TODOS LOS MATERIALES, INCLUIDAS: (A) TODA GARANTÍA IMPLÍCITA DE COMERCIABILIDAD, IDONEIDAD PARA UNA FINALIDAD DETERMINADA, TÍTULO, DISFRUTE TRANQUILO O NO INFRACCIÓN, Y (B) CUALQUIER GARANTÍA QUE PUDIERA SURGIR DE UN ACUERDO, USO O PRÁCTICA COMERCIAL. DJI NO GARANTIZA, EXCEPTO COMO SE INDIQUE EXPRESAMENTE EN LA GARANTÍA LIMITADA DE DJI, QUE EL PRODUCTO, LOS ACCESORIOS DEL PRODUCTO O CUALQUIER PARTE DEL PRODUCTO, O CUALQUIER MATERIAL, SEAN SEGUROS Y ESTÉN LIBRES DE INTERRUPCIONES, ERRORES, VIRUS U OTROS COMPONENTES DAÑINOS, Y TAMPOCO GARANTIZA LA CORRECCIÓN DE NINGUNO DE ESTOS PROBLEMAS.

NINGÚN TIPO DE ASesoramiento o información, EN FORMA ORAL o POR ESCRITO, QUE USTED PUDIERA OBTENER A TRAVÉS DEL PRODUCTO, LOS ACCESORIOS DEL PRODUCTO U OTROS MATERIALES SUPONDRÁ OTRAS GARANTÍAS RESPECTO DE DJI o DEL PRODUCTO QUE LAS EXPRESAMENTE ESTIPULADAS EN LAS PRESENTES CONDICIONES. EL USUARIO ASUME INTEGRALMENTE LOS RIESGOS RELACIONADOS CON LOS DAÑOS DERIVADOS DEL USO DEL PRODUCTO, ACCESORIOS O MATERIALES, o DEL ACCESO A ESTOS. EL USUARIO RECONOCE Y ACEPTA QUE UTILIZA EL PRODUCTO POR SU PROPIA CUENTA Y RIESGO, Y QUE ES EL ÚNICO RESPONSABLE DE CUALQUIER LESIÓN PERSONAL, MUERTE, DAÑOS A SU PROPIEDAD (INCLUIDO SU SISTEMA INFORMÁTICO, DISPOSITIVO MÓVIL o HARDWARE DJI EMPLEADO CON EL PRODUCTO) O A LA AJENA, Y DE LA PÉRDIDA DE DATOS OCASIONADA POR EL USO o INCAPACIDAD PARA EL USO DEL PRODUCTO. EN JURISDICCIONES EN QUE SE PROHIBAN LAS CLÁUSULAS DE EXENCIÓN DE GARANTÍAS, EL USUARIO PODRÍA DISFRUTAR DE OTROS DERECHOS ESPECÍFICOS DE CADA JURISDICCIÓN.

DJI es una marca comercial de SZ DJI TECHNOLOGY CO., LTD. y sus filiales. Los nombres de productos, marcas, etc., que aparecen en este documento son marcas comerciales o marcas comerciales registradas de sus respectivas empresas propietarias.

Limitación de responsabilidad

EN NINGÚN CASO LAS ENTIDADES DJI SERÁN RESPONSABLES POR DAÑOS INCIDENTALES, INDIRECTOS, ESPECIALES, CONSECUENCIALES O PUNITIVOS (INCLUIDOS DAÑOS POR PÉRDIDA DE GANANCIAS, CLIENTELA, O CUALQUIER OTRA PÉRDIDA INTANGIBLE) DERIVADOS DE O RELACIONADOS CON SU ACCESO O USO, O SU INCAPACIDAD DE ACCESO O USO, DEL PRODUCTO, ACCESORIOS DEL PRODUCTO, O CUALQUIER MATERIAL, DATOS DEL ENTORNO DEL VUELO, YA SEA BASADO EN LA GARANTÍA, CONTRATO, ACCIÓN (INCLUIDO NEGLIGENCIA), ESTATUTO, O CUALQUIER OTRA TEORÍA LEGAL, Y SI CUALQUIER ENTIDAD DE DJI SE HA INFORMADO O NO DE LA POSIBILIDAD DE DAÑO.

EXCEPTO QUE SE ACUERDE LO CONTRARIO ENTRE USTED Y DJI, LA RESPONSABILIDAD TOTAL QUE LAS ENTIDADES DE DJI CONTRAEN CON USTED POR LAS RECLAMACIONES QUE SURJAN O SE RELACIONEN CON EL USO O CUALQUIER INCAPACIDAD DE USAR ESTE PRODUCTO O CUALQUIER OTRO SUPUESTO CONFORME A ESTAS CONDICIONES, POR CAUSA CONTRACTUAL, EXTRA CONTRACTUAL O DE OTRA NATURALEZA, SE LIMITA A 100 USD.

Almacenamiento y uso de datos

Cuando utilice nuestras aplicaciones móviles o nuestros productos u otro software, es posible que suministre a DJI datos referentes al uso y funcionamiento del producto, como los datos de telemetría de vuelo (p. ej., velocidad, altitud, vida de la batería e información sobre el estabilizador y la cámara) y el registro de operaciones. Consulte la Política de privacidad de DJI (disponible en dji.com/policy) para obtener más información.

DJI se reserva el derecho de actualizar este documento de renuncia de responsabilidad y directrices de seguridad. Visite el sitio web <http://www.dji.com> periódicamente para contar con los más recientes. Esta renuncia de responsabilidad está disponible en diversos idiomas. En caso de divergencia entre las diferentes versiones, prevalecerá la versión en inglés.

Antes de comenzar

Los siguientes documentos se han elaborado para ayudarle a operar la aeronave con seguridad y sacarle el máximo partido:

1. Contenido del embalaje
2. Renuncia de responsabilidad y directrices de seguridad
3. Guía de inicio rápido
4. Manual de usuario

Compruebe todas las piezas incluidas que se mencionan en el correspondiente documento Contenido del embalaje y lea la Renuncia de responsabilidad y directrices de seguridad antes del vuelo. Complete el montaje y aprenda el funcionamiento básico con la ayuda de la guía de inicio rápido y el videotutorial correspondiente, disponibles en el sitio web oficial de DJI (<http://www.dji.com>). Consulte el manual de usuario en el sitio web oficial de DJI para obtener una información más exhaustiva. Asegúrese de comprender en su totalidad las funciones de cada pieza individual, los requisitos de condiciones de vuelo, las funciones/sistemas clave de advertencia por imprevistos y todas las normativas de las autoridades antes de cada vuelo. Si tiene alguna duda o problema durante el montaje, el mantenimiento o el uso de este producto, póngase en contacto con DJI o con un distribuidor autorizado de DJI.

Piezas individuales

Acerca de las piezas originales y funcionales

⚠ AVERTISSEMENT

Para evitar el funcionamiento incorrecto de los componentes, lesiones graves y daños materiales, respete las siguientes reglas:

1. Utilice únicamente piezas originales de DJI o piezas certificadas por DJI. Las piezas no autorizadas o piezas de fabricantes no certificadas por DJI pueden producir averías en el sistema y poner en peligro la seguridad.
2. Asegúrese de que no haya objetos extraños dentro de la aeronave o sus componentes, como agua, aceite, tierra o arena.

3. Asegúrese de que la aeronave y sus componentes estén en buen estado de funcionamiento, sin daños y que funcionen bien. Los componentes incluyen, entre otros, el control remoto, la brújula, el sistema de propulsión, el módulo de radar y el sistema de radio.

Control remoto

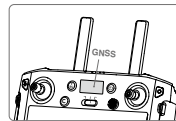
⚠ AVERTISSEMENT

Para evitar el funcionamiento incorrecto de los componentes, lesiones graves y daños materiales, respete las siguientes reglas:

1. Utilice los puertos del control remoto en estricta conformidad con sus especificaciones.
2. Asegúrese de que el dispositivo de visualización del control remoto tenga acceso a Internet (a través de Wi-Fi o una tarjeta SIM). De lo contrario, los registros de vuelo no se pueden cargar en un servidor DJI y, por lo tanto, es posible que DJI no pueda proporcionar servicios de reparación en garantía y no pueda asumir ninguna responsabilidad por las pérdidas relacionadas con las que incurra.

AVIS

1. Asegúrese de que el control remoto esté completamente cargado antes de cada vuelo.
2. Si el control remoto no se utiliza durante cinco minutos mientras está encendido sin estar conectado a la aeronave, suena una alerta. Después de 10 segundos, esta se apaga automáticamente. Mueva las palancas o realice otra acción para cancelar la alerta.
3. Asegúrese de que las antenas del control remoto estén desplegadas y ajustadas en la posición adecuada para conseguir una calidad de transmisión óptima.
4. El GNSS del control remoto está emplazado dentro del espacio que hay encima del selector de modo de vuelo, tal y como se muestra en la ilustración. Para que el GNSS funcione correctamente, asegúrese de que esté orientado hacia el cielo sin ninguna interferencia y mantenga el control remoto en horizontal.



5. Póngase en contacto con el Departamento de Asistencia técnica de DJI si necesita reparar desperfectos del control remoto. Las antenas dañadas suelen reducir considerablemente el rendimiento.
6. Es necesario vincular los controles remotos de recambio a la aeronave. Después de la vinculación, asegúrese de que el alcance de transmisión pueda alcanzar los 300 m antes de usar. Consulte el manual de usuario para obtener instrucciones detalladas de la vinculación.
7. Cargue y descargue por completo las baterías interna y externa del control remoto como mínimo una vez cada tres meses.
8. Cargue de inmediato la batería interna o externa del control remoto cuando el nivel de carga se agote (0 %), para evitar que el dispositivo sufra daños debido a un periodo prolongado de sobredescarga. Descargue las baterías hasta un nivel de carga de entre el 40 y el 60 % si las va a almacenar durante un periodo prolongado.
9. Al vincular una aeronave a un controlador remoto, se pierde cualquier otra conexión que la aeronave haya tenido con otro controlador. Por tanto, todas las aeronaves vinculadas a un control remoto que se encuentra en el modo de control multiaeronave solo pueden controlarse con ese control remoto. Para controlar cualquier aeronave con un control remoto diferente, esa aeronave deberá conectarse manualmente al control remoto mediante la aplicación DJI Agram.
10. NO cubra la entrada de aire del control remoto. De lo contrario, este podría calentarse demasiado, lo que podría afectar a su rendimiento.
11. NO obstruya el adaptador RTK si lo está utilizando.

Cuerpo de la aeronave

⚠️ AVERTISSEMENT

Para evitar el funcionamiento incorrecto de los componentes, lesiones graves y daños materiales, respete las siguientes reglas:

1. Utilice los puertos del cuerpo de la aeronave en estricta conformidad con sus especificaciones.
2. NO cortocircuite los puertos en el cuerpo de la aeronave.
3. Tenga cuidado al montar o limpiar la aeronave, ya que algunas partes del cuerpo de la aeronave están afiladas.
4. T30: Pliegue primero los brazos M3 y M5 y luego los brazos M2 y M6, y asegúrese de que todos ellos queden insertados en los soportes de almacenamiento de ambos lados de la aeronave. De lo contrario, los brazos podrían dañarse. Levante y baje los brazos M1 y M4 con suavidad para reducir el desgaste.
T10: Pliegue primero los brazos M3 y M4 y luego los brazos M1 y M2, y asegúrese de que todos ellos queden insertados en los soportes de almacenamiento que hay a ambos lados de la aeronave; de lo contrario, los brazos podrían sufrir desperfectos.
5. Si utiliza la función RTK, vuele en un entorno abierto libre de interferencias de radio. NO obstruya las antenas D-RTK si las está utilizando.
6. NO obstruya las antenas OcuSync.
7. Cuando trabaje de noche, NO mire directamente al foco para evitar dañarse la vista.
8. NO toque los disipadores de calor, ni permita que las manos o el cuerpo entren en contacto con estos, al arrancar la aeronave o tras el vuelo, ya que pueden estar calientes.
9. Si el puerto USB-C no está en uso, asegure de colocar la cubierta impermeable. De lo contrario, el agua puede entrar en el puerto, lo que puede provocar un cortocircuito.

Batería de vuelo

⚠️ AVERTISSEMENT

Para evitar el funcionamiento incorrecto de los componentes, lesiones graves y daños materiales, respete las siguientes reglas:

1. Utilice únicamente baterías de vuelo oficiales de DJI.
2. El voltaje de la batería puede alcanzar 58,8 V. Lea las directrices de seguridad de la batería y tome las precauciones necesarias para garantizar su seguridad al manipular la batería.
3. NO salpique la batería con un volumen excesivo de agua.

Brújula

MISE EN GARDE

Para evitar el funcionamiento incorrecto de los componentes, lesiones graves y daños materiales, respete las siguientes reglas:

1. Aterrice inmediatamente cuando se produzca un desvío obvio en el vuelo, por ejemplo, si la aeronave no vuela en línea recta.

AVIS

Calibre la brújula cuando la aplicación se lo indique. Observe las reglas siguientes al calibrar su brújula:

1. Es importante calibrar la brújula. El resultado de la calibración suele condicionar la seguridad del vuelo. La aeronave podría funcionar de forma inadecuada si la brújula no se ha calibrado.
2. NO calibre su brújula donde pueda producirse una fuerte interferencia magnética. Se incluyen áreas donde hay postes de tensión o paredes con refuerzos de acero.
3. NO lleve materiales ferromagnéticos, tales como llaves o teléfonos móviles, encima durante la calibración.
4. Si los indicadores de estado de la aeronave parpadean en rojo, la calibración de la brújula ha fallado. Vuelva a calibrarla.
5. Después de una calibración correcta, es posible que la brújula funcione de forma errática cuando se coloca la aeronave en el suelo. Esto se puede deber a las interferencias magnéticas subterráneas. Traslade la aeronave a otra ubicación y vuelva a intentarlo.

Sistema de propulsión

⚠️ AVERTISSEMENT

Para evitar la posibilidad de que los motores y las hélices en movimiento puedan provocar lesiones graves al usuario o a otras personas, respete las siguientes reglas:

Hélices

1. Verifique que las hélices se encuentren en buen estado antes de cada vuelo. Reemplace todas aquellas hélices que estén desgastadas, astilladas o rotas.
2. Apague la aeronave antes de tocar las hélices.
3. Tenga cuidado con los bordes afilados de las hélices al montar o retirar las hélices.
4. Asegúrese de que las hélices se hayan desplegado y se hayan apretado firmemente antes de cada vuelo.
5. Manténgase alejado de los motores y las hélices en movimiento.

Motores

1. Asegúrese de que los motores estén bien montados y giren suavemente.
2. NO intente modificar la estructura de los motores.
3. NO toque los motores ni deje que las manos o el cuerpo entren en contacto con ellos tras el vuelo, ya que pueden estar calientes.

MISE EN GARDE

Para evitar el funcionamiento incorrecto de los componentes, lesiones graves y daños materiales, respete las siguientes reglas:

1. NO bloquee ninguno de los orificios de ventilación de los motores.

AVIS

1. Mantenga los motores limpios de polvo.
2. Si un motor está bloqueado y no puede girar libremente, ejecute el CSC para detener los motores de inmediato.
3. Asegúrese de que el sonido de los motores durante el encendido sea normal.

Sistema de rociado

⚠️ AVERTISSEMENT

Para evitar el funcionamiento incorrecto de los componentes, lesiones graves y daños materiales, respete las siguientes reglas:

Uso de pesticidas

1. Evite el uso de pesticidas en polvo tanto como sea posible, ya que pueden reducir la vida útil del sistema de rociado.
2. Los pesticidas son venenosos y representan un grave riesgo para la seguridad. Utilícelos siguiendo estrictamente sus indicaciones de uso.
3. Los residuos presentes en el equipo debido a salpicaduras o derrames al verter y mezclar el pesticida pueden irritar la piel. Asegúrese de limpiar el equipo después de efectuar la mezcla.
4. Utilice agua limpia para mezclar el pesticida y filtre la mezcla antes de verterla en el tanque de rociado para evitar que el filtro se atasque. Elimine cualquier obstrucción antes de usar el equipo.
5. Al proceder al rociado del pesticida, procure situarse en una ubicación con viento a favor para evitar que el pesticida rociado le provoque daños corporales.
6. Lleve ropa protectora para evitar el contacto directo con el pesticida. Después de manipular pesticidas, lávese las manos y la piel a fondo. Limpie la aeronave y el control remoto tras aplicar el pesticida.
7. El uso efectivo de pesticidas depende de la densidad de pesticidas, la tasa de pulverización, la distancia de pulverización, la velocidad de la aeronave, la velocidad del viento, la dirección del viento, la temperatura y la humedad. Considere todos los factores cuando use pesticidas, pero NO comprometa la seguridad de las personas, los animales ni el medio ambiente al hacerlo.
8. NO contamine ríos ni fuentes de agua potable.

Rociadores

1. Evite el uso de pesticidas insolubles como polvo mojable.
2. Los rociadores son piezas delicadas. Límpielos inmediatamente después de usarlos.
3. NO doble la manguera en un arco más cerrado que su radio mínimo de curvatura. Esto es para evitar arrugas, ya que puede comprometer el efecto de rociado.
4. Asegúrese de apretar bien las tuercas de las mangueras para evitar fugas de líquido.

Tanque de rociado

1. Asegúrese de que el tanque de rociado esté bien sujeto en su lugar para evitar fugas de líquido.
2. La carga del tanque de pulverización no podrá exceder el valor máximo especificado. Consulte las especificaciones de cada aeronave para obtener más información.

ES

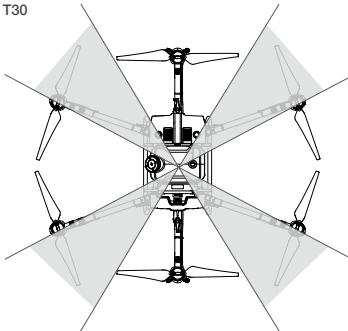
Sistema de radar de percepción esférica

⚠ AVERTISSEMENT

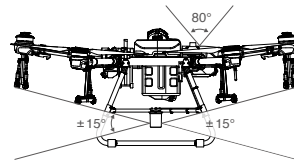
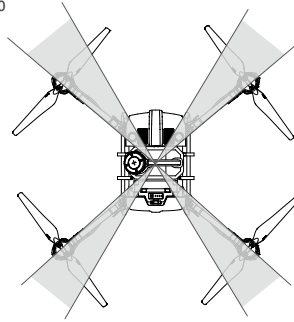
Para evitar el funcionamiento incorrecto de los componentes, lesiones graves y daños materiales, respete las siguientes reglas:

1. NO toque las piezas metálicas del módulo de radar, ni permita que las manos o el cuerpo entren en contacto con estas, al encender la aeronave o inmediatamente después del vuelo, ya que pueden estar calientes.
2. Mantenga el control total de la aeronave en todo momento y NO confíe únicamente en el módulo de radar ni en la aplicación DJI Agras. Mantenga la aeronave dentro su alcance visual (VLOS) en todo momento. Aplique su criterio al pilotar manualmente la aeronave a fin de sortear los obstáculos.
3. Como se indica en la siguiente ilustración, el alcance de detección de obstáculos horizontal del radar digital omnidireccional es de 360° y su alcance de detección de obstáculos vertical es de $\pm 15^\circ$, mientras que el intervalo de la distancia de detección es de entre 1.5 y 30 m. Tenga en cuenta que la aeronave no puede detectar obstáculos que no estén dentro del rango de detección. Vuele con cuidado. En cuanto a las cuatro zonas de la ilustración siguiente, el rendimiento de detección del módulo de radar probablemente se reduzca debido a la obstrucción de los brazos del bastidor y del tren de aterrizaje. Vuele con cuidado. La distancia de detección eficaz varía en función del tamaño y material del obstáculo. Cuando se detectan objetos, como edificios, que presentan una sección transversal de radar (RCS) superior a -5 dBsm, la distancia de detección eficaz es de entre 20 y 30 m. Cuando se detectan objetos, como líneas de tensión, que tienen una RCS de -10 dBsm, dicha distancia es de aproximadamente 15 m. Cuando se detectan objetos, como ramas de árboles secas, que tienen una RCS de -15 dBsm, esa distancia es de aproximadamente 10 m. Es posible que la detección de obstáculos deje de funcionar correctamente o quede anulada en zonas ubicadas más allá de la distancia de detección eficaz.
4. Al montar el radar digital omnidireccional, asegúrese de que la marca en forma de flecha quede orientada hacia la parte frontal de la aeronave.

T30



T10



⚠ AVIS

1. Cumpla con las leyes y regulaciones locales de transmisión de radio.
2. La sensibilidad del módulo de radar puede reducirse cuando se usan varias aeronaves con poca distancia entre ellas. Proceda con precaución.
3. Las funciones para evitar obstáculos están desactivadas en el modo Atti.
4. NO intente desarmar ninguna parte del módulo de radar que ya se haya montado antes del envío.
5. El módulo de radar es un instrumento de precisión. NO lo apriete, toque ni golpee.

Radar digital omnidireccional

1. Antes de usarlo, asegúrese de que el módulo de radar esté limpio y que la cubierta protectora exterior no esté rajada, desconchada, hundida o deformada.
2. La obstrucción del cuerpo de la aeronave perjudica al sistema anticollisión cuando el cabeceo de esta excede los 15°. Reduzca la velocidad y vuele con cuidado.
3. El módulo de radar permite a la aeronave mantener una distancia fija con respecto a la vegetación únicamente dentro de su rango de funcionamiento. Observe la distancia de la aeronave hasta la vegetación en todo momento.
4. Al detectar objetos cuya inclinación vertical supere los 5°, como líneas o postes de alta tensión oblicuos, es posible que se reduzca la sensibilidad del módulo de radar. Vuele con cuidado.
5. Proceda con precaución adicional cuando vuele sobre superficies inclinadas. Inclinación máxima recomendada a diferentes velocidades de la aeronave: 10° a 1 m/s, 6° a 3 m/s, y 3° a 5 m/s.
6. Aterrice la aeronave en terreno llano para evitar daños de objetos elevados al módulo de radar.

Radar superior

1. NO bloquee la posición de la carcasa de la aeronave en la que el radar superior se encuentra en la parte inferior. Si lo hace, el sistema anticollisión superior se podría ver afectado.
2. Asegúrese de que la posición de la carcasa de la aeronave en la que el radar superior se encuentra en la parte inferior no esté rajada, desconchada ni deformada; Si lo hace, el sistema anticollisión superior se podría ver afectado.

Firmware

AVERTISSEMENT

Para evitar el funcionamiento incorrecto de los componentes, lesiones graves y daños materiales, respete las siguientes reglas:

1. Mantenga a personas y animales a una distancia segura durante cualquier actualización del firmware, calibración del sistema y procedimientos de configuración de parámetros.

AVIS

1. Por motivos de seguridad, actualice siempre el firmware a la versión más reciente.
2. Utilice solo el firmware oficial de DJI.
3. Asegúrese de actualizar a la última versión del firmware del control remoto después de actualizar el firmware de la aeronave.
4. El control remoto puede desvincularse de la aeronave después de la actualización. Vuelva a vincular el control remoto y la aeronave.
5. Asegúrese de comprobar todas las conexiones y retire las hélices de los motores antes de realizar la actualización del firmware.

Aplicación DJI Agras

AVIS

1. Asegúrese de cargar completamente las baterías del control remoto antes de iniciar la aplicación DJI Agras.
2. Lea con atención todos los consejos de seguridad, mensajes de advertencia y renuncias de responsabilidad. Familiarícese con las normativas relacionadas aplicables en su zona. Usted es el único responsable de conocer todas las normas pertinentes y de volar de un modo que se ajuste a ellas. Asegúrese de prestar especial atención en las siguientes situaciones:
 - a. Al utilizar las funciones de despegue y aterrizaje automáticos.
 - b. Si ajusta la altitud más allá del límite predeterminado.
3. Aterrice la aeronave de inmediato si en la aplicación aparece un mensaje que así se lo indique.
4. Examine y compruebe todos los mensajes de advertencia en la lista de estado de la aeronave que aparece en la aplicación antes de cada vuelo.
5. Guarde en caché los datos cartográficos del área en la que va a volar la aeronave conectándose a Internet antes de cada vuelo.

Adaptador 4G

AVIS

1. Se requieren un adaptador y una tarjeta SIM para utilizar algunas funciones del producto en la aplicación DJI Agras; los usuarios deberán asumir el coste de estos accesorios.
2. Asegúrese de utilizar una llave aprobada por DJI.
3. DJI no acepta ninguna responsabilidad por accidentes provocados por la pérdida de datos de usuario o fallos de funcionamiento de la aeronave a causa del uso de llaves y tarjetas SIM de terceros.
4. Utilice únicamente tarjetas SIM compatibles con la llave.
5. Asegúrese de montar correctamente la llave y la tarjeta SIM. De lo contrario, las funciones asociadas no estarán disponibles.

Cuidado del producto

Almacenamiento y transporte

AVERTISSEMENT

Para evitar el funcionamiento incorrecto de los componentes, lesiones graves y daños materiales, respete las siguientes reglas:

1. Las piezas pequeñas, como cables y correas, son peligrosas si se ingieren. Mantenga todas las piezas fuera del alcance de niños y animales.

2. Asegúrese de haber retirado la batería de la aeronave cuando vaya a transportar esta.

3. Retire o vacíe el tanque de rociado cuando vaya a transportar la aeronave o cuando esta no esté en uso, para impedir que el tren de aterrizaje sufra desperfectos. Almacene la aeronave en un lugar fresco y seco.

Mantenimiento

AVERTISSEMENT

Para evitar el funcionamiento incorrecto de los componentes, lesiones graves y daños materiales, respete las siguientes reglas:

1. Limpie todas las piezas de la aeronave al final de cada jornada de pulverización una vez que la aeronave haya vuelto a su temperatura normal. **NO limpie la aeronave inmediatamente después de que hayan terminado las operaciones.**
 - a. Llene el tanque de rociado con agua limpia o agua jabonosa y rocíe el agua a través de las boquillas hasta que el tanque se vacíe. Realice este paso dos veces más.
 - b. Desacople el conector del tanque de pulverización de dicho tanque, para limpiar ambos elementos (solo para el T10). Retire el filtro del tanque de pulverización, los filtros de la boquilla y las boquillas para limpiarlos y eliminar cualquier obstrucción. Después, sumérjalos en agua limpia durante 12 horas.
 - c. Asegúrese de que la estructura de la aeronave esté ensamblada por completo de modo que se pueda lavar directamente con agua. Se recomienda usar una pistola de lavado llena de agua para limpiar el cuerpo de la aeronave y limpiarlo con un cepillo suave o un paño húmedo antes de quitar los restos de agua con un paño seco.
 - d. Si hay polvo o pesticida líquido en los motores, las hélices o los difusores de calor, límpielos con un paño húmedo antes de quitar los restos de agua con un paño seco.
2. **Almacene la aeronave limpia en un ambiente seco.**
 - a. Una vez al día y al término de las operaciones con la aeronave, limpie la superficie y pantalla del control remoto con un paño húmedo limpio que haya sido escurrido.
3. **Inspeccione la aeronave cada 100 vuelos o una vez que se hayan superado las 20 horas de vuelo:**
 - a. Verifique si las hélices están desgastadas y, en caso afirmativo, reemplácelas.
 - b. Verifique si las hélices están sueltas. Cambie las hélices y las arandelas de las hélices si es necesario.
 - c. Compruebe el deterioro de las piezas de plástico o goma.
 - d. Compruebe que las boquillas atomizan el líquido correctamente. Límpielas a fondo o cámbielas en caso contrario.
 - e. Reemplace los filtros de las boquillas y el filtro del tanque de rociado.
4. **NO trate de reparar la aeronave. Póngase en contacto con el Departamento de Asistencia técnica de DJI o con un distribuidor autorizado de DJI si alguna pieza tiene desperfectos.**

AVIS

1. Mantenga limpia la cubierta protectora del módulo de radar. Limpie la superficie con un paño suave y húmedo, y seque al aire antes de volver a usar.
2. Mantenga limpia la cámara FPV. Primero limpie la arena o arena de las piezas más grandes, luego limpie la lente con un paño limpio y suave para eliminar el polvo u otra suciedad.
3. En el caso de un choque o colisión, asegúrese de inspeccionar minuciosamente cada parte de la aeronave y de hacer las reparaciones y cambios de piezas necesarios antes de su próximo vuelo. Si tiene problemas o dudas, póngase en contacto con el Departamento de Asistencia técnica de DJI o con un distribuidor autorizado de DJI.

Requisitos de condiciones de vuelo

Condiciones meteorológicas y entorno

⚠ AVERTISSEMENT

La aeronave se ha diseñado para funcionar en condiciones meteorológicas buenas o moderadas. Para evitar colisiones, lesiones graves, daños a la propiedad o imponer riesgos para la salud, observe las siguientes reglas:

1. NO utilice la aeronave en condiciones climatológicas adversas, como vientos que superen los 28 km/h (17 mph), lluvias intensas (precipitaciones superiores a 25 mm o [0.98 in] en 12 horas), nieve o niebla.
2. A fin de evitar riesgos para la salud de las personas situadas en las proximidades y de asegurar un rociado eficaz, proceda a pulverizar con la aeronave a velocidades del viento inferiores a 18 km/h (11 mph).
3. Durante el vuelo, mantenga la aeronave a una distancia mínima de 10 metros (30 ft) de los obstáculos, personas, animales, edificios, infraestructuras públicas y masas de agua. A medida que aumenta la altitud de la aeronave, guarde una distancia aún mayor con los objetos y obstáculos mencionados.
4. NO vuele a más de 4.5 km (14763 ft) sobre el nivel del mar.
5. La aplicación DJI Agras suele recomendar inteligentemente el peso de carga útil del depósito en función del estado y del entorno actuales de la aeronave. Al añadir material al tanque, el peso máximo no debe superar el valor recomendado; de lo contrario, la seguridad del vuelo se podría ver afectada.
6. NO haga funcionar los componentes de la aeronave en interiores.

AVIS

1. El rendimiento de la aeronave y de la batería depende de factores medioambientales, como la densidad del aire y la temperatura.
 - a. Tenga cuidado al volar a altitudes superiores a 2000 m (6560 ft) sobre el nivel del mar, dado que el rendimiento de la batería y el de la aeronave podrían disminuir.
2. NO utilice la aeronave cerca de lugares donde se hayan producido accidentes, incendios, explosiones, inundaciones, tsunamis, avalanchas, desprendimientos, terremotos, polvo o arena.
3. En entornos de bajas temperaturas, entre 0 y 10 °C (32 y 50 °F), asegúrese de que la batería de vuelo esté plenamente cargada y procure reducir la carga de la aeronave. De lo contrario, la seguridad del vuelo se verá comprometida o la aeronave estará sujeta a limitaciones en el despegue.

Interferencia en el controlador de vuelo y las comunicaciones

AVIS

1. Vuele en espacios abiertos. Los edificios altos, las estructuras de acero, las montañas, las rocas o los bosques pueden afectar a la precisión de la brújula de a bordo y bloquear tanto las señales de GNSS como las del control remoto.
2. Evite usar dispositivos inalámbricos que usen las mismas bandas de frecuencia que el control remoto.
3. La sensibilidad del módulo de radar puede reducirse cuando se utilizan varias aeronaves con poca distancia entre ellas. Proceda con precaución.
4. Cuando se use con varias aeronaves, incluidos el T30, el T10 y otros modelos, asegúrese de que la distancia entre cada aeronave sea superior a 10 m para evitar interferencias.
5. A fin de evitar interferencias entre distintas operaciones, no pilote más de tres grupos de aeronaves dentro de un radio de 50 m al utilizar la función de control multiaeronave.
6. Está alerta cuando vuelе cerca de áreas con interferencias magnéticas o de radio. Estas incluyen, aunque no están limitadas a: líneas de alta tensión eléctrica, estaciones de transmisión eléctrica a gran escala o estaciones base móviles y torres de radiodifusión. No hacerlo puede comprometer la calidad de transmisión de este

producto o causar errores de transmisión que pueden afectar la orientación del vuelo y la precisión de la ubicación. La aeronave puede dejar de funcionar con normalidad o descontrolarse en áreas con demasiadas interferencias.

7. Si el adaptador RTK se utiliza para planificación de campos, el módulo se debe desconectar del control remoto una vez que haya concluido la planificación. De lo contrario, el rendimiento de comunicaciones del control remoto se verá afectado.

Uso responsable de la aeronave

⚠ AVERTISSEMENT

Para evitar el funcionamiento incorrecto de los componentes, lesiones graves y daños materiales, respete las siguientes reglas:

1. Asegúrese de no estar bajo los efectos del alcohol, medicamentos o anestesia ni de padecer mareos, fatiga, náuseas o cualquier otro trastorno, ya sea físico o mental, que pueda afectar a su capacidad de pilotar la aeronave con seguridad.
2. NO pare los motores a mitad del vuelo a menos que se encuentre en una situación de emergencia en la que con esta maniobra intente reducir el riesgo de daños o lesiones.
3. Después de aterrizar, apague la aeronave y luego apague el control remoto.
4. NO deje caer, lance, incendie ni proyecte de ningún otro modo cargas peligrosas sobre o hacia ningún edificio, persona o animal, ni cargas que puedan provocar lesiones personales o daños materiales.

AVIS

1. Asegúrese de que ha practicado lo suficiente y tiene planes de acción pertinentes en caso de emergencia o accidente.
2. Asegúrese de disponer de un plan de vuelo y NUNCA vuele la aeronave de forma imprudente.
3. NO utilice este producto para fines ilegales o inadecuados, como, por ejemplo, espionaje, operaciones militares o investigaciones no autorizadas.
4. NO utilice este producto para difamar, insultar, acosar, ofender o amenazar a otras personas, ni tampoco para infringir de cualquier otro modo los derechos que la ley reconoce a estas (como el derecho a la intimidad o a la publicidad).
5. NO invada la propiedad privada.

Modos de vuelo, modos de funcionamiento, funciones y advertencias

Modos de vuelo

AVIS

Modo P (posicionamiento): La aeronave utiliza el GNSS o el módulo RTK para el posicionamiento. Cuando la señal GNSS es intensa, la aeronave usa GNSS para posicionamiento. Cuando el módulo RTK está habilitado y la transmisión de datos diferenciales es fuerte, proporciona un posicionamiento a nivel centimétrico. Vuelve al modo A cuando la señal de GNSS es débil o cuando la brújula tiene interferencias.

La aeronave volará en modo P de forma predeterminada.

Modo A (Atti): El posicionamiento no utiliza GNSS y la aeronave solo puede mantener la altitud utilizando el barómetro. La velocidad de vuelo en el modo A depende de factores ambientales como la velocidad del viento.

En el modo A, la aeronave no puede posicionarse y se ve fácilmente afectada por su entorno, lo que puede resultar en un desvío horizontal. Use el control remoto para posicionar la aeronave.

Maniobrar la aeronave en modo A puede resultar difícil. Evite volar en espacios cerrados o en áreas donde la señal GNSS sea débil. De lo contrario, la aeronave entrará en modo A y podrán aparecer riesgos en el vuelo. Aterrice la aeronave en un lugar seguro tan pronto como sea posible.

Modos de funcionamiento

⚠ AVERTISSEMENT

Para evitar el funcionamiento incorrecto de los componentes, lesiones graves y daños materiales, respete las siguientes reglas:

1. Asegúrese de comprender completamente el comportamiento de la aeronave en cada modo de funcionamiento antes de usarla.
2. Apártese de los obstáculos que estén cerca de la ruta de la operación. Mantenga la aeronave dentro de su alcance visual y observe su estado en todo momento.
3. Solo opere en modo de funcionamiento Ruta o Ruta A-B cuando reciba una señal GNSS fuerte.

Mecanismo de seguridad y regreso al punto de origen (RPO)

AVIS

1. El RPO no funciona en caso de que la señal de GNSS sea débil o en caso de no haya este tipo de señales.
2. Los edificios altos pueden afectar a la función RPO. Por lo tanto, es importante definir una altitud de seguridad apropiada antes de cada vuelo. Ajuste la ubicación, la altitud y la velocidad de la aeronave mientras regresa al punto de origen para evitar obstáculos cuando hay una señal fuerte de control remoto.
3. Asegúrese de operar la aeronave dentro del alcance de transmisión del control remoto.
4. Solo use RPO en casos de emergencia, ya que pueden verse afectados por el clima, el medio ambiente o cualquier campo magnético cercano.
5. Si aparece un obstáculo en un radio de 20 m con respecto a la aeronave, esta desacelera y, a continuación, se detiene y se pone en vuelo estacionario. La aeronave sale del RPO y aguarda a que se den más órdenes.
6. Si el procedimiento RPO se activa durante el modo Trayectoria, la aeronave puede trazar una ruta de vuelo de modo que el RPO sorte los obstáculos añadidos al planificar un campo.

Batería baja

AVIS

1. Cuando se activa la advertencia de nivel de batería muy baja y la aeronave está descendiendo de forma automática, puede pulsar el acelerador hacia arriba para mantener la altitud de la aeronave y conducirla a un lugar más apropiado para el aterrizaje.
2. Cuando se activen las advertencias de la batería, traiga la aeronave inmediatamente al punto de origen o hágala aterrizar para evitar que pierda carga durante el vuelo y provoque daños en la aeronave, los materiales, los animales y las personas.

Tanque vacío

AVIS

1. Si el tanque de rociado se vacía, aparece un mensaje en la aplicación DJI Agras y la aeronave se pone en vuelo estacionario. En los modos de funcionamiento Trayectoria, Trayectoria A-B y Manual Plus, la aeronave también puede configurarse para ascender o regresar al punto de origen en lugar de realizar vuelo estacionario. Consulte el manual de usuario para obtener más información sobre los modos de funcionamiento.

Cumplimiento de las normativas y límites de vuelo

Normativas

⚠ AVERTISSEMENT

Para evitar el comportamiento no conforme con la normativa, lesiones graves y daños materiales, respete las siguientes reglas:

1. NO modifique la aeronave, ni la utilice con fines distintos a los agrícolas.
2. NO utilice la aeronave en las proximidades de aeronaves tripuladas, independientemente de la altitud. Aterrice inmediatamente si es necesario.
3. NO vuele con la aeronave en áreas donde se celebren acontecimientos que reúnan a grandes muchedumbres, incluidos, entre otros, eventos deportivos y conciertos.
4. NO vuele con la aeronave en áreas prohibidas por las leyes locales.
5. Permanezca a suficiente distancia y no interfiera en las operaciones de aeronaves tripuladas. Preste atención y evite otras aeronaves y obstáculos en todo momento.

MISE EN GARDE

Para evitar el comportamiento no conforme con la normativa, lesiones graves y daños materiales, respete las siguientes reglas:

1. NO haga volar la aeronave cerca o en el interior de zonas restringidas por las leyes y normativas locales. Las zonas restringidas incluyen, entre otras, aeropuertos, fronteras entre dos países o regiones soberanas, ciudades principales y áreas donde se llevan a cabo eventos o actividades temporales. Tenga en cuenta que las zonas restringidas se actualizan continuamente.
2. NO vuele con la aeronave por encima de la altitud autorizada.
3. Asegúrese de mantener la aeronave dentro de su alcance visual y consiga la ayuda de un observador si es necesario.
4. NO utilice la aeronave para transportar mercancías/cargas ilegales o peligrosas.

AVIS

1. Asegúrese de haber entendido la naturaleza de su operación de vuelo (como ocio, de uso público o con fines comerciales) y de haber obtenido la aprobación y autorización correspondientes de las agencias gubernamentales competentes antes del vuelo. Consulte a los organismos reguladores locales para obtener definiciones exhaustivas y requisitos específicos. Visite <http://www.dji.com> para obtener las instrucciones y advertencias más actualizadas, y <https://www.dji.com/flysafe> para obtener más información sobre seguridad de vuelo y conformidad. Tenga en cuenta que la realización de actividades comerciales para aeronaves accionadas por control remoto puede estar prohibida en determinados países y regiones. Compruebe y siga todas las leyes y ordenanzas locales antes de volar, ya que dichas reglas pueden ser distintas a las aquí indicadas.
2. NO vuele cerca de infraestructuras o inmuebles sensibles, tales como centrales eléctricas, instalaciones de tratamiento de aguas, centros penitenciarios, carreteras con tráfico denso, instalaciones gubernamentales y zonas militares.

Límites de vuelo

AVIS

DJI hace hincapié en la seguridad durante el vuelo y, por ello, ha desarrollado diversos medios para ayudar a los usuarios a cumplir las reglas y normativas locales durante el vuelo. Se recomienda firmemente actualizar el firmware a la versión más reciente para garantizar que las siguientes funciones están completamente actualizadas:

Zonas GEO

1. Todas las Zonas GEO se indican en el sitio web oficial de DJI en <http://www.dji.com/flysafte>. Las Zonas GEO se dividen en diferentes categorías e incluyen, entre otras, lugares como aeropuertos, zonas donde se vuela con aviones tripulados a escasa altitud, fronteras entre dos países o regiones soberanas, ubicaciones sensibles como centrales de energía y áreas en las que se realicen eventos importantes.
2. Las restricciones de vuelo varían según la zona geográfica. Dependiendo de las restricciones de una zona en particular, puede que aparezcan advertencias en la aplicación DJI Agras, se prohíba despegar, se limite la altitud de vuelo o la aeronave tome medidas automáticamente como realizar un aterrizaje automático.
3. Las funciones relacionadas con las acciones de vuelo se verán afectadas en cierta medida cuando la aeronave esté en una Zona GEO o cerca de ella. Cuando está cerca o dentro de una Zona GEO, la aeronave podría reducir la velocidad, puede que no sea posible crear una tarea de vuelo, o podría interrumpirse una tarea de vuelo en curso. Tenga en cuenta que los efectos no se limitan solamente a los anteriormente mencionados.

Límite de altitud

1. NO vuele por encima de 100 metros (328 ft) sobre el nivel del suelo y permanezca lejos de los obstáculos circundantes.

Límite de distancia

1. La distancia máxima de vuelo es de 1 km (0.62 mi) por defecto. Tenga en cuenta que, si la aeronave se aleja demasiado, el nivel de batería podría no ser suficiente para regresar al punto de origen. Asegúrese de volar con cuidado.

Control de exportaciones

Cumplimiento de la Legislación de control de exportaciones vigente

Se le informa de que la exportación, la reexportación y la transmisión de los productos están sujetas a la legislación de control de exportaciones de China y otras leyes y sanciones aplicables en materia de control de exportaciones (en lo sucesivo, denominadas en conjunto "Legislación de control de exportaciones"). Antes de que usted utilice, venda, transmita o alquile los productos, o de que adopte cualquier otra conducta en relación con estos, a menos que así lo permita la Legislación de control de exportaciones o que usted disponga de licencia emitida por las autoridades competentes, deberá, en especial, verificar y garantizar lo siguiente adoptando las medidas adecuadas:

1. No habrá infracción de un embargo impuesto por las leyes de control de exportación.
2. Estos productos no se proporcionarán a entidades, personas u organizaciones que figuren como sancionados en las listas correspondientes.
3. Los productos no están diseñados para su uso en relación con armamentos, armas nucleares, químicas o biológicas, o aplicaciones de tecnología de misiles.

Conformidad para la exportación, exención de responsabilidad, indemnización

Usted reconoce que tiene la responsabilidad de cumplir con la legislación de control de exportaciones de China y otras leyes de control de exportación vigentes. Por tanto, la responsabilidad legal recaerá enteramente sobre usted si el uso, venta, transferencia, alquiler u otras conductas suyas relacionadas con los productos no cumplen con las leyes de control de exportación vigentes. DJI no será responsable, en ninguna circunstancia, de cualquier infracción de las leyes de control de exportación que usted pueda cometer. Además, usted eximirá de toda responsabilidad a DJI, sus afiliados, directores, ejecutivos, empleados, agentes y representantes frente a reclamaciones, demandas, juicios, causas, gastos (incluidos honorarios razonables en concepto de asistencia legal), daños, pérdidas o responsabilidades de cualquier naturaleza derivados, supuestamente derivados o relacionados con el incumplimiento por parte de usted de las leyes de control de exportación vigentes.

Este contenido puede modificarse sin notificación previa.

Descargue la última versión en esta página web:
<http://www.dji.com/t30>

AGRAS y  son marcas registradas de DJI.
 Copyright © 2021 DJI. Reservados todos los derechos.



Sécurité – Aperçu



Le DJI AGRAS™ T30/T10 n'est pas un jouet et ne doit pas être utilisé par des personnes de moins de 18 ans. Notez que la section « Sécurité - Aperçu » ne donne qu'un aperçu des conseils de sécurité. Veuillez à bien lire et comprendre le présent document ainsi que le guide d'utilisateur de l'Agras T30/T10.

1. Utilisation de pesticide

- Évitez d'utiliser les pesticides en poudre autant que possible, car ils risquent de réduire la durée de vie du système d'épandage.
- Les pesticides sont toxiques et présentent des risques graves pour la sécurité. Utilisez-les en stricte conformité avec leurs spécifications.
- Les résidus présents sur le matériel causés par des éclaboussures ou des déversements au moment de verser et mélanger le pesticide peuvent irriter votre peau. Assurez-vous de nettoyer le matériel après le mélange.
- Utilisez de l'eau propre pour mélanger le pesticide et filtrez le mélange avant de le verser dans le réservoir pour éviter de bloquer le tamis. Retirez toute obstruction avant d'utiliser le matériel.
- Assurez-vous de rester dans une zone au vent quand vous pulvériserez le pesticide, afin d'éviter toute blessure au corps.
- Portez des vêtements de protection pour empêcher tout contact corporel direct avec le pesticide. Rincez vos mains et votre peau après avoir manipulé des pesticides. Nettoyez l'appareil et la radiocommande après l'application du pesticide.
- L'utilisation efficace des pesticides dépend de la densité du pesticide, du débit de pulvérisation, de la distance de pulvérisation, de la vitesse de l'appareil, de la vitesse et de la direction du vent, de la température et de l'hygrométrie. Prenez en compte tous ces facteurs lorsque vous utilisez des pesticides, mais ne compromettez PAS la sécurité des personnes, des animaux ou de l'environnement ce faisant.
- NE contaminez PAS les rivières et les sources d'eau potable.
- Élimination de l'excédent de pulvérisation : La planification de l'opération de pulvérisation permet de s'assurer que l'on n'achète qu'une quantité suffisante de pesticides pour la zone à traiter et que la quantité de solution de pulvérisation excédentaire est réduite au minimum. Il est recommandé d'appliquer aux cultures tout surplus de pulvérisation ou de liquide de lavage dans le réservoir. Les utilisateurs peuvent également envisager d'installer une canalisation pour l'évacuation du liquide de lavage contenu dans le réservoir.
- NE PAS utiliser d'acides puissants, de bases fortes, de liquides à haute température ou de pesticides explicitement interdits.

2. Considérations environnementales

- Faites voler l'appareil dans des lieux dégagés, à l'écart des bâtiments et de tout autre obstacle. NE faites PAS voler l'appareil au-dessus ou à proximité d'une foule.
- NE volez PAS au-dessus de 4,5 km (14 763 pieds) au-dessus du niveau de la mer.
- Faites voler l'appareil uniquement dans des conditions météorologiques modérées, à des températures comprises entre 0 °C et 45 °C (32 et 113 °F).
- Assurez-vous que vos opérations ne violent aucune loi ou réglementation et que vous avez obtenu toutes les autorisations appropriées. Consultez l'agence gouvernementale ou l'autorité correspondante, ou votre avocat avant le vol afin de respecter toutes les lois et réglementations applicables.
- NE faites fonctionner AUCUNE pièce de l'appareil en intérieur.

3. Liste des vérifications avant le vol

Assurez-vous de vérifier tous les éléments suivants :

- Les batteries de la radiocommande et de l'appareil sont complètement rechargées.
- Toutes les pièces sont en bon état. Remplacez les pièces anciennes ou cassées avant un vol.
- Le train d'atterrissage et le réservoir à pulvérisation sont fermement en place.
- Les hélices et les bras sont dépliés et les bagues des bras sont fermement serrées. Les hélices sont en bon état et fermement serrées. Rien n'obstrue les moteurs et hélices.
- NE PAS bloquer la position sur la coque de l'appareil sous laquelle le radar orienté vers le haut est situé.

- Le système d'épandage n'est pas bloqué et fonctionne correctement.
- Le compas est étalonné après avoir été invité à le faire dans l'application.

4. Description de l'indice de protection

Lorsqu'il fonctionne normalement, l'appareil est étanche à l'eau, à la poussière et résistant à la corrosion. L'indice de protection de l'appareil (Batterie de Vol Intelligente exclue) est IP67 (IEC 60529) dans des conditions de laboratoire stables et peut être nettoyé avec une petite quantité d'eau. Cependant, cet indice de protection n'est pas permanent et peut diminuer au fil du temps après une longue période d'utilisation, à cause de l'ancienneté ou de l'usage. La garantie du produit ne couvre pas les dégâts dus à l'eau. Les indices de protection de l'appareil mentionnés ci-dessus pourraient être réduits dans les scénarios suivants :

- Une collision a déformé la structure d'étanchéité.
- La structure d'étanchéité de la coque est fissurée et endommagée.
- Les embouts étanches ne sont pas correctement installés.

5. Opération

- Tenez-vous à distance des hélices en rotation et des moteurs.
- Assurez-vous de voler dans les limites du poids maximal spécifié au décollage, afin d'éviter tout risque potentiel pour la sécurité.
- L'appli DJI Agras recommandera intelligemment le poids de la charge utile du réservoir en fonction du statut actuel et de l'environnement de l'appareil. Lorsque vous ajoutez du produit dans le réservoir, le poids maximal ne doit pas dépasser la valeur recommandée. Sinon, la sécurité du vol peut en être affectée.
- Gardez toujours l'appareil à portée de vue (VLOS).
- N'utilisez PAS la commande des joysticks (CSC) ou d'autres méthodes pour arrêter les moteurs lorsque l'appareil est en vol, sauf en cas d'urgence.
- NE répondez PAS à un appel téléphonique en cours de vol. NE faites PAS voler l'appareil sous l'emprise de l'alcool ou de médicaments.
- En cas d'avertissement de batterie faible, faites atterrir l'appareil dans un lieu sûr.
- Si le module radar ne fonctionne pas correctement dans les conditions d'utilisation, l'appareil sera incapable d'éviter des obstacles pendant le Retour au point de départ (RTH). Seules la vitesse et l'altitude de vol peuvent être ajustées, tant que la radiocommande demeure connectée.
- Après l'atterrissage, arrêtez les moteurs, mettez l'appareil hors tension et éteignez la radiocommande. Sinon, l'appareil pourrait automatiquement entrer en mode RTH Failsafe à cause de la perte du signal de la radiocommande.
- Gardez en permanence le contrôle total de l'appareil et ne vous reposez pas sur l'application DJI Agras. La fonction d'évitement d'obstacles est désactivée dans certaines situations. Ne perdez pas l'appareil de vue et faites très attention à son vol. Fiez-vous à votre propre jugement pour contrôler l'appareil et éviter manuellement les obstacles à temps. Il est important de définir une altitude Failsafe et RTH appropriée avant chaque vol.

6. Maintenance et entretien

- N'utilisez PAS d'hélices usées, détériorées ou cassées.
- Afin d'éviter d'endommager le train d'atterrissage, retirez ou videz le réservoir à pulvérisation pendant le transport ou en dehors des périodes d'utilisation.
- La température de stockage recommandée (quand le réservoir à pulvérisation, le débitmètre, les pompes et les tuyaux sont vides) : entre -20 et 40 °C (-4 et 104 °F).
- Nettoyez l'appareil immédiatement après l'épandage. Inspectez l'appareil régulièrement. Consultez la section Entretien du produit pour en savoir plus à propos des consignes d'entretien.

7. Respectez les lois et les réglementations locales.

- Vous trouverez une liste des zones GEO de DJI™ sur <http://www.dji.com/flysafe>. Les zones GEO indiquées par DJI ne se substituent en aucun cas aux réglementations gouvernementales locales ou au bon sens dont doit faire preuve l'utilisateur.
- Évitez de voler à des altitudes supérieures à 100 m (328 pieds)*

* La limite d'altitude de vol varie entre différents pays et régions. Assurez-vous de voler aux altitudes définies par les lois et réglementations locales.



+



+



+



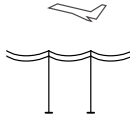
Faites voler l'appareil dans des espaces dégagés

Signal GNSS fort

VLOS

Volez en dessous de 100 m (328 pieds)

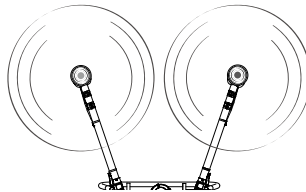
FR



Évitez de faire voler l'appareil au-dessus ou à proximité de rassemblements de personnes, de lignes à haute tension ou d'étendues d'eau. Des sources électromagnétiques puissantes telles que **les lignes à haute tension, les stations de base et les grands immeubles** peuvent affecter le compas embarqué de l'appareil.



N'utilisez PAS l'appareil dans des conditions météorologiques difficiles comme dans des vents violents dépassant 28 km/h (17 mph), de fortes précipitations (taux de précipitation dépassant 25 mm [0,98 pouce] en 12 heures), du brouillard, de la neige, des éclairs, des tornades ou des ouragans.



Zones GEO

Tenez-vous à distance des hélices en rotation et des moteurs.

Pour en savoir plus, rendez-vous sur : <http://www.dji.com/flysafe>

Remarque

SZ DJI TECHNOLOGY CO., LTD. se réserve le droit de modifier, à sa seule discrétion, toutes les instructions de ce guide d'utilisateur et autres documents connexes. Pour connaître les dernières informations sur ce produit, rendez-vous sur le site <http://www.dji.com> et cliquez sur la page produit.

Glossaire

Les termes suivants sont utilisés dans toute la documentation du produit pour indiquer les différents niveaux de danger potentiel lors de l'utilisation de ce produit :

AVIS procédures qui, si elles ne sont pas suivies correctement, peuvent entraîner des dégâts matériels et des blessures.

MISE EN GARDE procédures qui, si elles ne sont pas suivies correctement, peuvent entraîner des dégâts matériels et un risque de blessures graves.

AVERTISSEMENT procédures qui, si elles ne sont pas suivies correctement, peuvent entraîner des dégâts matériels, des dommages collatéraux et des blessures graves ou créer un risque élevé de blessure grave.

AVERTISSEMENT

Lisez le guide d'utilisateur dans son intégralité pour vous familiariser avec les

caractéristiques de ce produit avant de l'utiliser. Toute utilisation de ce produit irresponsable et ne respectant pas les consignes de sécurité peut entraîner des blessures graves ou endommager le produit ou d'autres biens. Il s'agit d'un produit sophistiqué. Il doit être utilisé avec prudence et bon sens et nécessite des connaissances de base en mécanique. Ce produit n'est pas destiné à être utilisé par des enfants. Ne pas utiliser avec des composants incompatibles ou modifier ce produit de quelque manière que ce soit en dehors des documents fournis par SZ DJI TECHNOLOGY CO., LTD. Les présentes consignes de sécurité contiennent des instructions relatives à la sécurité, à l'utilisation et à l'entretien. Il est essentiel de lire et de suivre toutes les instructions et mises en garde contenues dans le guide d'utilisateur avant le montage, l'installation ou l'utilisation afin d'exploiter correctement le produit et d'éviter tout dommage ou blessure grave.

Liste des vérifications avant le vol

Assurez-vous de vérifier tous les éléments suivants :

1. Utilisez uniquement des pièces officielles en bon état.
2. Les batteries de la radiocommande et de l'appareil sont complètement rechargées. Lorsque vous utilisez la Batterie intelligente externe, il est toujours nécessaire de s'assurer que la batterie interne n'est pas entièrement déchargée. Sinon, la radiocommande ne peut pas être mise sous tension.
3. Les hélices sont en bon état et correctement installées sur les moteurs.
4. Les hélices et les bras sont dépliés et les bagues des bras sont fermement serrées.
5. Les moteurs sont fermement montés, démarrent et fonctionnent normalement.
6. Le train d'atterrissage, le réservoir à pulvérisation et la Batterie de Vol Intelligente sont bien en place.
7. Tous les composants sont correctement installés et les câbles sont connectés correctement.
8. Il n'y a rien qui obstrue les antennes D-RTK™, les antennes OCUYSYNC™ ou la position sur la coque de l'appareil sous laquelle se trouve le radar orienté vers le haut.
9. Assurez-vous de disposer de la dernière version de l'application DJI AGRAS et du firmware de l'appareil.
10. Votre zone de vol se trouve en dehors des zones GEO et les conditions de vol sont adaptées au pilotage de l'appareil.
11. Assurez-vous de ne pas piloter l'appareil si vous êtes sous l'influence de l'alcool, de médicaments ou de toute autre substance pouvant altérer vos capacités cognitives.
12. Familiarisez-vous avec le mode de vol sélectionné et l'ensemble des avertissements et fonctions de sécurité.
13. Assurez-vous de respecter toutes les réglementations locales, d'obtenir les autorisations appropriées et de comprendre les risques liés au pilotage de l'appareil. Il est de votre entière responsabilité de vous conformer à toutes les réglementations de vol.

14. L'application DJI AGRAS est correctement lancée pour vous aider à opérer l'appareil. Dans certaines situations (comme la perte de l'appareil), si les données de vol ne sont pas enregistrées dans l'application DJI AGRAS et stockées sur votre radiocommande, DJI pourrait ne pas être capable de vous fournir un service après-vente ou ne pourra assumer aucune responsabilité.

Clause d'exclusion de responsabilité et mises en garde

Ce produit n'est PAS un jouet et ne doit pas être utilisé par des personnes de moins de 18 ans. Les adultes doivent tenir l'appareil hors de portée des enfants et NE PAS le manipuler en leur présence.

Une utilisation inappropriée pourrait entraîner des blessures ou des dommages matériels. Lisez la documentation associée au produit avant de l'utiliser pour la première fois. Ces documents sont fournis avec le produit et sont également disponibles en ligne sur la page produit DJI, sur <http://www.dji.com>.

Ce produit est une plateforme volante multirotör prévue uniquement pour des applications agricoles dans les champs, les régions boisées et les vergers. Il est facile à piloter lorsque les conditions indiquées ci-dessous sont réunies. Rendez-vous sur le site <http://www.dji.com> pour connaître les dernières instructions et mises en garde. Visitez la page <https://www.dji.com/flysafe> pour en savoir plus sur la sécurité en vol et la conformité.

Les informations contenues dans ce document concernent votre sécurité, vos droits et vos obligations. Lisez-le attentivement pour bien configurer votre appareil avant de l'utiliser. Si vous ne lisez pas et ne respectez pas les instructions et les mises en garde ci-après, vous vous exposez à des blessures graves et risquez de perdre ou d'endommager votre appareil.

En utilisant ce produit, vous confirmez que vous avez lu attentivement la clause d'exclusion de responsabilité et le guide d'utilisateur, que vous comprenez les conditions générales qui y sont énoncées et que vous acceptez de les respecter. À L'EXCEPTION DE CE QUI A ÉTÉ EXPRESSÉMENT PRÉVU DANS LES POLITIQUES DU SERVICE APRÈS-VENTE DE DJI (DISPONIBLES SUR [HTTP://WWW.DJI.COM/SERVICE](http://www.dji.com/SERVICE)).

LE PRODUIT ET TOUS SES MATÉRIAUX, AINSI QUE TOUT LE CONTENU DISPONIBLE VIA LE PRODUIT SONT FOURNIS « EN L'ÉTAT » ET « SELON DISPONIBILITÉ », SANS GARANTIE NI CONDITION D'AUCUNE SORTIE, QU'ELLE SOIT EXPRESSE OU TACITE. DJI DÉCLINE TOUTE GARANTIE QUELLE QU'ELLE SOIT, SAUF TEL QU'EXPRESSÉMENT STIPULÉ DANS LES POLITIQUES DU SERVICE APRÈS-VENTE DE DJI, EXPRESSE OU TACITE, EN LIEN AVEC LE PRODUIT, LES ACCESSOIRES DU PRODUIT ET TOUS LES MATÉRIAUX, Y COMPRIS : (A) TOUTE GARANTIE TACITE DE QUALITÉ MARCHANDE, D'ADÉQUATION À UN USAGE PARTICULIER, DE TITRE DE PROPRIÉTÉ, DE JOUISSANCE PAISIBLE OU D'ABSENCE DE CONTREFAÇON ; (B) TOUTE GARANTIE RÉSULTANT D'UNE NÉGOCIATION, DE L'UTILISATION OU DE PRATIQUES COMMERCIALES. DJI NE GARANTIT PAS, SAUF MENTION EXPRESSEMENT FOURNIE DANS LA GARANTIE LIMITÉE DJI, QUE LE PRODUIT, SES ACCESSOIRES, TOUTE PARTIE DU PRODUIT, OU TOUT MATÉRIEL NE SERONT PAS ININTERROMPUS, QU'ILS SONT SÉCURISÉS OU EXEMPTS D'ERREURS, DE VIRUS OU D'AUTRES ÉLÉMENTS NUISIBLES, ET NE GARANTIT PAS QUE L'UN DE CES PROBLÈMES SERA CORRIGÉ.

TOUTES INFORMATIONS ET RECOMMANDATIONS, OBTENUES PAR VOUS, QUE CE SOIT À L'ORAL OU PAR ÉCRIT, CONCERNANT LE PRODUIT, DES ACCESSOIRES DU PRODUIT OU TOUT MATÉRIEL ASSOCIÉ, NE SAURAIENT SOMETTRE DJI NI LE PRODUIT À UNE AUTRE GARANTIE QUE CELLES EXPRESSÉMENT DÉCRITES DANS LES PRÉSENTES. VOUS ASSUMEZ LA TOTALITÉ DES RISQUES POUR TOUT DOMMAGE RÉSULTANT DE VOTRE ACCÈS AU PRODUIT, AUX ACCESSOIRES DU PRODUIT ET À TOUT MATÉRIEL OU DE VOTRE UTILISATION DE CES ÉLÉMENTS. VOUS COMPRENEZ ET RECONNAISSEZ QUE VOUS UTILISEZ LE PRODUIT À VOTRE ENTIÈRE DISCRETION ET À VOS PROPRES RISQUES, ET QUE VOUS ÊTES LE SEUL RESPONSABLE DE TOUTE BLESSURE, TOUT DÉCÈS, TOUT DOMMAGE CAUSÉ À VOS BIENS (Y COMPRIS VOTRE SYSTÈME INFORMATIQUE, APPAREIL MOBILE OU MATÉRIEL DJI UTILISÉ EN LIEN AVEC LE PRODUIT) OU AUX BIENS DE TIERS, OU DE TOUTE PERTE DE DONNÉES RÉSULTANT DE VOTRE UTILISATION DU PRODUIT OU DE VOTRE INCAPACITÉ À L'UTILISER. CERTAINES JURIDICTIONS PEUVENT INTERDIRE

L'EXCLUSION DE GARANTIES ET VOS DROITS PEUVENT VARIER D'UNE JURIDICTION À L'AUTRE.

DJI est une marque commerciale de SZ DJI TECHNOLOGY CO., LTD. et de ses sociétés affiliées. Les noms de produits, de marques, etc., apparaissant dans le présent document sont des marques commerciales ou des marques déposées de leurs détenteurs respectifs.

Limitation de responsabilité

LES ENTITÉS DJI NE PEUVENT EN AUCUN CAS ÊTRE TENUES POUR RESPONSABLES DES DOMMAGES INDIRECTS, ACCIDENTELS, SPÉCIAUX, CONSÉQUENTS OU PUNITIFS (Y COMPRIS EN CAS DE PERTE DE PROFIT OU DE CLIENTÈLE OU TOUT AUTRE DOMMAGE INTANGIBLE) DÉCOULANT DE (OU LIÉS À) VOTRE CAPACITÉ OU INCAPACITÉ À ACCÉDER OU À UTILISER LE PRODUIT, LES ACCESSOIRES DU PRODUIT OU TOUT AUTRE ÉQUIPEMENT ET DONNÉE D'ENVIRONNEMENT DE VOL, EN VERTU D'UNE GARANTIE, D'UN CONTRAT, D'UNE FAUTE (Y COMPRIS PAR NÉGLIGENCE), D'UNE LOI OU DE TOUT AUTRE PRINCIPE JURIDIQUE, MÊME SI UNE ENTITÉ DJI A ÉTÉ INFORMÉE DE LA POSSIBILITÉ DE DOMMAGE.

À L'EXCEPTION DES DISPOSITIONS CONVENUES ENTRE VOUS ET DJI, LA RESPONSABILITÉ CUMULÉE DES ENTITÉS DJI ENVERS VOUS EST LIMITÉE À 100 EUR POUR TOUTE RÉCLAMATION RÉSULTANT DE (OU LIÉE À) L'UTILISATION OU DE L'INCAPACITÉ À UTILISER UNE PARTIE DU PRODUIT, OU AUTRE, EN VERTU DES PRÉSENTES, QUE CE SOIT DE MANIÈRE CONTRACTUELLE, DÉLICTEUELLE OU AUTREMENT.

Stockage et utilisation des données

Lorsque vous utilisez nos applications mobiles, nos produits ou nos autres logiciels, certaines données concernant l'utilisation et le fonctionnement du produit, telles que les données de télémétrie de vol (p. ex. la vitesse, l'altitude, l'autonomie de la batterie, les informations sur la nacelle et la caméra, etc.) et les enregistrements d'opérations de vol peuvent être transférées à DJI. Pour plus d'informations, consultez la Politique de confidentialité de DJI (disponible sur dji.com/policy).

DJI se réserve le droit de modifier la présente clause d'exclusion de responsabilité et les consignes de sécurité. Rendez-vous sur <http://www.dji.com> régulièrement pour connaître la dernière version. Cette clause d'exclusion de responsabilité est disponible en plusieurs langues. En cas de divergence entre les différentes versions, la version en langue anglaise prévaudra.

Avant de commencer

Les documents suivants sont conçus pour vous aider à tirer le meilleur parti de votre appareil et à l'utiliser en toute sécurité :

1. Contenu de l'emballage
2. Clauses d'exclusion de responsabilité et consignes de sécurité
3. Guide de démarrage rapide
4. Guide d'utilisateur

Vérifiez toutes les pièces répertoriées dans le document Contenu de l'emballage et lisez la clause d'exclusion de responsabilité et les consignes de sécurité avant de faire voler l'appareil. Terminez l'assemblage et apprenez les opérations basiques avec l'aide du Guide de démarrage rapide et du tutoriel vidéo sur le site Web officiel de DJI (<http://www.dji.com>). Consultez le guide d'utilisateur sur le site officiel de DJI pour obtenir des informations plus détaillées. Assurez-vous de bien comprendre les fonctions de chaque pièce, les exigences relatives aux conditions de vol, les principales fonctions et systèmes d'alerte ou d'urgence et toutes les réglementations officielles avant chaque vol. Si vous avez des questions ou si vous rencontrez un problème pendant l'assemblage, l'entretien ou l'utilisation de ce produit, veuillez contacter DJI ou un revendeur agréé DJI.

Composants individuels

Pièces et composants d'origine

⚠ AVERTISSEMENT

Veuillez respecter les consignes ci-dessous pour éviter tout dysfonctionnement d'un composant interne, toute blessure grave ou tout dégât matériel :

1. N'utilisez que des pièces officielles DJI ou certifiées par DJI. L'utilisation de pièces non autorisées ou provenant de fabricants non certifiés par DJI peut entraîner des dysfonctionnements et compromettre votre sécurité.
2. Assurez-vous qu'aucun objet étranger (p. ex. de l'eau, de l'huile, de la terre, du sable, etc.) ne se trouve à l'intérieur de l'appareil ou de ses composants.
3. Assurez-vous que l'appareil et ses composants sont en bon état de fonctionnement et qu'ils ne sont pas abîmés. Les composants incluent, mais sans s'y limiter, la radiocommande, le compas, le système de propulsion, le module radar et le système d'épandage.

Radiocommande

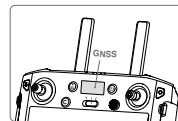
⚠ AVERTISSEMENT

Veuillez respecter les consignes ci-dessous pour éviter tout dysfonctionnement d'un composant interne, toute blessure grave ou tout dégât matériel :

1. Veillez à respecter strictement les spécifications des ports de la radiocommande.
2. Assurez-vous que l'affichage sur la radiocommande a accès à Internet (via Wi-Fi ou carte SIM). Sinon, les données de vol ne peuvent pas être transférées vers un serveur DJI et par conséquent, DJI ne sera pas en mesure de proposer un service de réparation sous garantie et décline toute responsabilité en cas de perte associée.

⚠ AVIS

1. Assurez-vous que la radiocommande est complètement chargée avant chaque vol.
2. Si la radiocommande est allumée et inactive depuis cinq minutes, sans être connectée à l'appareil, elle émet une alerte. Le dispositif s'éteint automatiquement au bout de 10 secondes. Manipulez les joysticks ou effectuez une autre opération pour annuler l'alerte.
3. Vérifiez que les antennes de la radiocommande sont correctement déployées et positionnées afin de parvenir à une qualité de transmission optimale.
4. Le GNSS de la radiocommande est dans le compartiment au-dessus du bouton de mode de vol comme indiqué sur l'illustration. Pour que le GNSS fonctionne correctement, assurez-vous qu'il soit orienté vers le ciel, sans obstruction et placez la radiocommande horizontalement.



5. Contactez le Service client DJI pour réparer la radiocommande si elle est endommagée. Une antenne endommagée réduit considérablement les performances.
6. Les radiocommandes de remplacement doivent être appariées à l'appareil. Après l'appariement, assurez-vous que la distance de transmission atteint 300 m avant l'utilisation. Consultez le guide d'utilisateur pour en savoir plus sur les instructions d'appariement.
7. Rechargez et déchargez entièrement les batteries interne et externe de la radiocommande au moins une fois tous les trois mois.
8. Rechargez immédiatement la batterie interne ou externe de la radiocommande quand son niveau de charge descend à 0 % afin d'éviter l'appareil de subir des dégâts de décharge excessive sur une longue période. Déchargez les batteries à un niveau de charge compris entre 40 % et 60 % si vous la rangez pendant une période prolongée.
9. Lors de l'appariement d'un appareil avec une radiocommande, toute autre liaison de l'appareil à une autre radiocommande, est abandonnée. En conséquence, tout appareil apparié à une radiocommande en mode de contrôle multiappareils ne peut être contrôlé que par cette radiocommande. Pour contrôler un appareil utilisant une radiocommande différente, l'appareil concerné doit être apparié manuellement à la radiocommande qui utilise l'application DJI Auras.

- NE recouvrez PAS la grille d'aération de la radiocommande. Sinon, la radiocommande risque de surchauffer, ce qui pourrait affecter ses performances.
- N'obstruez PAS le dongle RTK pendant l'utilisation.

Corps de l'appareil

AVERTISSEMENT

Veillez respecter les consignes ci-dessous pour éviter tout dysfonctionnement d'un composant interne, toute blessure grave ou tout dégât matériel :

- Veillez à respecter strictement les spécifications des ports du corps de l'appareil.
- NE court-circuitez PAS les ports du corps de l'appareil.
- Assemblez et nettoyez l'appareil avec précaution, car certaines pièces sont tranchantes.
- T30: Pliez les bras M3 et M5, puis les bras M2 et M6 et assurez-vous que les bras sont insérés dans les pinces de stockage des deux côtés de l'appareil. Si vous ne respectez pas cette consigne, les bras pourraient être endommagés. Soulevez et abaissez les bras M1 et M4 doucement afin de réduire l'usure.
- T10: Pliez les bras M3 et M4, puis les bras M1 et M2 et assurez-vous que les bras sont insérés dans les pinces de stockage des deux côtés de l'appareil. Si vous ne respectez pas cette consigne, les bras pourraient être endommagés.
- Lors de l'utilisation des fonctionnalités RTK, opérez dans un environnement ouvert, sans interférences radio. N'obstruez PAS les antennes D-RTK pendant l'utilisation.
- N'obstruez PAS les antennes OcuSync.
- Pendant les opérations de nuit, NE regardez PAS directement le projecteur pour éviter toute lésion oculaire.
- NE PAS toucher ou laisser vos mains ou votre corps entrer en contact avec les dissipateurs thermiques lors de la mise sous tension ou après le vol, car ils peuvent être brûlants.
- Si le port USB-C n'est pas utilisé, assurez-vous d'installer l'embout étanche. Sinon, l'eau pourrait entrer dans le port et provoquer un court-circuit.

Batterie de vol

AVERTISSEMENT

Veillez respecter les consignes ci-dessous pour éviter tout dysfonctionnement d'un composant interne, toute blessure grave ou tout dégât matériel :

- Utilisez uniquement les batteries de vol DJI.
- La tension de l'appareil peut atteindre 58,8 V. Lisez les consignes de sécurité de la batterie et prenez les précautions nécessaires lorsque vous manipulez les batteries pour assurer votre propre sécurité.
- N'éclaboussez PAS la batterie avec un volume d'eau excessif.

Compas

MISE EN GARDE

Veillez respecter la consigne ci-dessous pour éviter tout dysfonctionnement d'un composant interne, toute blessure grave ou tout dégât matériel :

- En cas de dérive évidente pendant le vol (lorsque l'appareil ne vole pas en ligne droite), procédez à un atterrissage immédiat.

AVIS

Étalonnez le compas quand l'application vous y invite. Étalonnez le compas en respectant les consignes ci-dessous :

- Il est essentiel d'étalonner le compas. Le résultat de l'étalonnage influe sur la sécurité en vol. L'appareil risque de mal fonctionner si le compas n'est pas étalonné.
- NE tentez PAS d'étalonner le compas dans des endroits soumis à de fortes interférences magnétiques. Cela inclut des zones dans lesquelles se trouvent des poteaux ou des murs avec des armatures en acier à l'intérieur.

- NE transportez PAS de matériaux ferromagnétiques, comme des téléphones portables ou des clés, pendant l'étalonnage.
- Si l'indicateur du statut de l'appareil clignote en rouge, l'étalonnage du compas a échoué. Veuillez étalonner à nouveau.
- Après un étalonnage réussi, il est possible que le compas se dérègle lorsque l'appareil est au sol. Cela peut être dû à des interférences magnétiques souterraines. Déplacez l'appareil vers un autre endroit et réessayez.

Système de propulsion

AVERTISSEMENT

Pour éviter de vous exposer et d'exposer les autres à des blessures graves qui pourraient être causées par les moteurs et les hélices en rotation, veuillez respecter les consignes suivantes :

Hélices

- Vérifiez que toutes les hélices sont en bon état avant chaque vol. Remplacez les hélices usées, détériorées ou cassées.
- Éteignez l'appareil avant de toucher les hélices.
- Faites attention aux bords tranchants des hélices lors du montage ou du retrait des hélices.
- Assurez-vous que les hélices sont dépliées et fermement serrées avant chaque vol.
- Tenez-vous à distance des moteurs et hélices en rotation afin d'éviter toute blessure.

Moteurs

- Assurez-vous que les moteurs sont bien fixés et tournent normalement.
- N'essayez PAS de modifier la structure des moteurs.
- Une fois le vol terminé, pour prévenir tout risque de brûlure, NE touchez PAS les moteurs et ne vous en approchez pas.

MISE EN GARDE

Veillez respecter les consignes ci-dessous pour éviter tout dysfonctionnement d'un composant interne, toute blessure grave ou tout dégât matériel :

- N'obstruez PAS les fentes d'aération des moteurs.

AVIS

- Protégez les moteurs de la poussière.
- Si un moteur est bloqué et incapable de tourner librement, lancez la CSC pour arrêter immédiatement les moteurs.
- Assurez-vous que le bruit des moteurs à l'allumage est normal.

Système d'épandage

AVERTISSEMENT

Veillez respecter les consignes ci-dessous pour éviter tout dysfonctionnement d'un composant interne, toute blessure grave ou tout dégât matériel :

Utilisation de pesticide

- Évitez d'utiliser des pesticides en poudre autant que possible, car ils risquent de réduire la durée de vie du système d'épandage.
- Les pesticides sont toxiques et présentent des risques graves pour la sécurité. Utilisez-les en stricte conformité avec leurs spécifications.
- Les résidus présents sur le matériel causés par des éclaboussures ou des déversements au moment de verser et mélanger le pesticide peuvent irriter votre peau. Assurez-vous de nettoyer le matériel après le mélange.
- Utilisez de l'eau propre pour mélanger le pesticide et filtrez le mélange avant de le verser dans le réservoir à pulvérisation pour éviter de bloquer le tamis. Retirez toute obstruction avant d'utiliser le matériel.
- Assurez-vous de rester dans une zone au vent quand vous pulvérisiez le pesticide, afin d'éviter toute blessure au corps.

- Portez des vêtements de protection pour empêcher tout contact corporel direct avec le pesticide. Rincez vos mains et votre peau après avoir manipulé des pesticides. Nettoyez l'appareil et la radiocommande après l'application du pesticide.
- L'utilisation efficace des pesticides dépend de la densité du pesticide, du débit de pulvérisation, de la distance de pulvérisation, de la vitesse de l'appareil, de la vitesse et de la direction du vent, de la température et de l'hygrométrie. Prenez en compte tous ces facteurs lorsque vous utilisez des pesticides, mais ne compromettez PAS la sécurité des personnes, des animaux ou de l'environnement ce faisant.
- NE contaminez PAS les rivières et les sources d'eau potable.

Pulvérisateurs

- Évitez d'utiliser des pesticides insolubles comme de la poudre mouillable.
- Les pulvérisateurs sont des composants délicats. Veuillez les nettoyer immédiatement après usage.
- NE pliez PAS le tuyau à un angle plus serré que son angle de pliage maximum. Cela permet d'éviter de le froisser, ce qui pourrait compromettre l'épandage.
- Assurez-vous de serrer fermement les écrous des tuyaux pour éviter toute fuite.

Réservoir à pulvérisation

- Assurez-vous que le réservoir à pulvérisation est fermement en place afin d'éviter toute fuite.
- La charge du réservoir de pulvérisation ne doit pas dépasser la valeur maximale spécifiée. Veuillez vous reporter aux caractéristiques techniques de l'appareil correspondant pour plus d'informations.

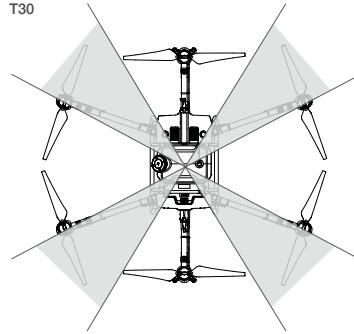
Système radar à perception sphérique

⚠ AVERTISSEMENT

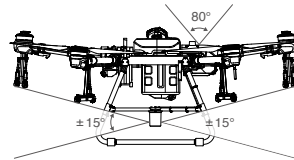
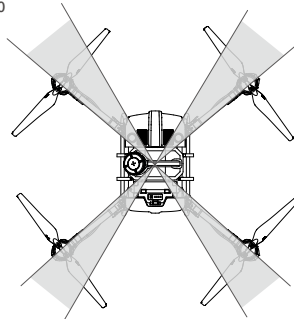
Veillez respecter les consignes ci-dessous pour éviter tout dysfonctionnement d'un composant interne, toute blessure grave ou tout dégât matériel :

- NE touchez PAS les parties métalliques du module radar avec vos mains ou votre corps au moment de l'allumer ou juste après un vol, pour prévenir tout risque de brûlure.
- Gardez le contrôle complet de l'appareil à tout moment et ne vous reposez pas uniquement sur le module radar et l'application DJI Agras. Gardez l'appareil dans votre champ de vision immédiat en toutes circonstances. Manœuvrez manuellement l'appareil à votre convenance afin d'éviter les obstacles.
- Comme le montre la figure ci-dessous, le radar numérique omnidirectionnel a une portée de détection d'obstacles horizontale de 360° et une portée de détection d'obstacles verticale de $\pm 15^\circ$, tandis que la distance de détection est comprise entre 1,5 et 30 mètres. Notez que l'aéronef ne peut pas détecter les obstacles qui ne sont pas dans la portée de détection. Pilotez avec précaution. Pour les quatre zones grises du schéma, la performance de détection du module radar pourrait être réduite à cause de l'obstruction des bras et du train d'atterrissage. Pilotez avec précaution. La distance de détection réelle varie selon la taille et le matériau de l'obstacle. Par exemple, quand des objets à forte réflectivité sont détectés, comme des bâtiments dont la section efficace en radar (RCS) est supérieure à -5 dBsm, la distance de détection réelle est de 20 à 30 m. Quand des objets comme des lignes à haute tension qui ont une RCS de -10 dBsm sont détectés, la distance de détection réelle est d'environ 15 m. Quand des objets comme des branches d'arbres sèches qui ont une RCS de -15 dBsm sont détectés, la distance de détection réelle est d'environ 10 m. La détection d'obstacles pourrait ne pas fonctionner correctement ou être invalide dans les zones hors de la distance de détection réelle.
- Lors du montage du radar numérique omnidirectionnel, assurez-vous que la marque en forme de flèche est orientée vers l'avant de l'appareil.

T30



T10



AVIS

- Respectez les lois et réglementations locales sur les transmissions radio.
- La sensibilité du module radar pourrait être réduite quand plusieurs appareils sont pilotés simultanément sur une courte distance. Opérez avec précaution.
- Les fonctionnalités d'évitement d'obstacles sont désactivées dans le mode Attitude.
- N'essayez PAS de démonter les pièces du module radar qui a été installé avant l'expédition.
- Le module radar est un instrument de précision. NE serrez, tapez ou frappez PAS le module radar.

Radar numérique omnidirectionnel

- Avant usage, vérifiez que le module radar est propre et que la coque de protection externe n'est pas craquelée, ébréchée, enfoncée ou déformée.
- L'évitement d'obstacles est perturbé par l'obstruction du corps de l'appareil lorsqu'il est incliné verticalement à plus de 15°. Ralentissez et pilotez avec précaution.
- Le module radar permet à l'appareil de rester à une distance fixe de la végétation au sein de sa portée de fonctionnement. Respectez la distance de l'appareil par rapport à la végétation en toutes circonstances.

- Quand des objets qui présentent une inclinaison verticale de plus de 5°, comme des lignes ou des poteaux inclinés, sont détectés, la sensibilité du module radar risque d'être diminuée. Pilotez avec précaution.
- Opérez avec grande précaution quand vous volez au-dessus de surfaces inclinées. Inclinaison maximum recommandée à différentes vitesses : 10° à 1 m/s, 6° à 3 m/s et 3° à 5 m/s.
- Faites atterrir l'appareil sur une surface plane pour éviter d'endommager le module radar avec des objets surélevés.

Radar orienté vers le haut

- NE PAS bloquer la position sur la coque de l'appareil sous laquelle le radar orienté vers le haut est situé. Sinon, l'évitement d'obstacles vers le haut peut en être affecté.
- Veillez à ce que la position sur la coque de l'appareil sous laquelle le radar orienté vers le haut est situé n'est pas fissurée, ébréchée ou déformée. Sinon, l'évitement d'obstacles vers le haut peut en être affecté.

Firmware

AVERTISSEMENT

Veillez respecter la consigne ci-dessous pour éviter tout dysfonctionnement d'un composant interne, toute blessure grave ou tout dégât matériel :

- Tenez l'appareil hors de portée des personnes et des animaux pendant la mise à jour du firmware, pendant l'étalonnage système ou lorsque vous réglez les paramètres de l'appareil.

AVIS

- Pour plus de sécurité, mettez toujours à jour vers la version la plus récente du firmware.
- Utilisez uniquement un firmware DJI officiel.
- Assurez-vous de mettre à jour le firmware de la radiocommande vers la version la plus récente après avoir mis à jour le firmware de l'appareil.
- Il se peut que la radiocommande ne soit plus appairée avec l'appareil après la mise à jour. Appairez à nouveau la radiocommande et l'appareil.
- Vérifiez tous les branchements et retirez les hélices des moteurs avant de mettre à jour le firmware.

Application DJI Agras

AVIS

- Rechargez complètement les batteries de la radiocommande avant de lancer l'application DJI Agras.
- Lisez attentivement tous les conseils de sécurité, les messages d'avertissement et les clauses d'exclusion de responsabilité. Familiarisez-vous avec les réglementations locales en matière de vol. Vous êtes seul responsable de connaître les réglementations en vigueur et de respecter les consignes de vol associées. Portez une attention particulière dans les situations suivantes :
 - Utilisation des fonctionnalités de décollage et d'atterrissage automatiques.
 - Définition de l'altitude au-delà du seuil par défaut.
- Faites immédiatement atterrir votre appareil si une invite apparaît dans l'application.
- Examinez et vérifiez tous les messages d'avertissement sur la liste d'état de l'appareil affichée dans l'application avant chaque vol.
- Mettez en mémoire les données cartographiques de la zone que vous souhaitez survoler en connectant l'appareil à Internet avant chaque vol.

Double DJI

AVIS

- Certaines fonctionnalités de l'application DJI Agras nécessitent un dongle et une carte SIM. Les frais associés sont à la charge des utilisateurs.

- Assurez-vous d'utiliser un dongle approuvé par DJI.
- DJI décline toute responsabilité quant aux accidents provoqués par la perte de données utilisateur ou un dysfonctionnement de l'appareil provenant de dongles ou de cartes SIM tierces.
- N'utilisez que des cartes SIM compatibles avec le dongle.
- Assurez-vous d'installer le dongle et la carte SIM correctement. Sinon, les fonctionnalités liées ne seront pas disponibles.

Entretien du produit

Rangement et transport

AVERTISSEMENT

Veillez respecter les consignes ci-dessous pour éviter tout dysfonctionnement d'un composant interne, toute blessure grave ou tout dégât matériel :

- Les petites pièces, telles que les câbles et les sangles, peuvent être dangereuses en cas d'ingestion. Conservez toutes ces pièces hors de portée des enfants et des animaux.
- Assurez-vous de retirer la batterie de l'appareil pendant le transport.
- Retirez ou videz le réservoir à pulvérisation pendant le transport ou en dehors des périodes d'utilisation, afin d'éviter d'endommager le train d'atterrissage. Rangez l'appareil dans un endroit sec et frais.

Maintenance

AVERTISSEMENT

Veillez respecter les consignes ci-dessous pour éviter tout dysfonctionnement d'un composant interne, toute blessure grave ou tout dégât matériel :

- Nettoyez toutes les parties de l'appareil à la fin de chaque journée de pulvérisation, après que l'appareil est revenu à une température normale. NE PAS nettoyer l'appareil immédiatement après la fin des opérations.
 - Remplissez le réservoir à pulvérisation avec de l'eau propre ou savonneuse et pulvérisez-la dans les buses jusqu'à ce que le réservoir soit vide. Répétez l'étape deux fois de plus.
 - Détachez le réservoir à pulvérisation et le connecteur du réservoir pour les nettoyer (pour T10 uniquement). Retirez le tamis, la crépine des buses et les buses du réservoir à pulvérisation pour les nettoyer et retirer toute obstruction. Immergez-les ensuite dans de l'eau propre pendant 12 heures.
 - Veillez à ce que la structure de l'appareil soit complètement connectée afin de pouvoir être lavée directement à l'eau. Il est recommandé d'utiliser un vaporisateur rempli d'eau pour nettoyer le corps de l'appareil avec une brosse souple ou un chiffon humide avant de sécher les traces d'eau résiduelles avec un chiffon sec.
 - Si de la poussière ou du liquide pesticide est présent sur les hélices, les moteurs ou les dissipateurs thermiques, nettoyez-les avec un chiffon humide avant de sécher les traces d'eau résiduelles avec un chiffon sec.
 - Rangé l'appareil nettoyé dans un environnement sec.
- Nettoyez la surface et l'écran de la radiocommande avec un chiffon humide puis essorez-le quotidiennement après les opérations.
- Inspectez l'appareil tous les 100 vols ou après avoir volé plus de 20 heures :
 - Vérifiez et remplacez les hélices usées.
 - Vérifiez si des hélices sont manquantes. Remplacez les hélices et leurs rondelles si nécessaire.
 - Vérifiez si des pièces en plastique ou en caoutchouc sont usées.
 - Vérifiez si la brunisation des buses fonctionne toujours. Nettoyez les buses en profondeur ou remplacez-les.
 - Remplacez les crépines des buses et le tamis du réservoir à pulvérisation.
- NE tentez PAS de réparer l'appareil vous-même. Contactez le Service client DJI ou un revendeur DJI agréé si des pièces sont endommagées.

AVIS

1. Gardez la coque de protection du module radar propre. Nettoyez la surface avec un chiffon doux et humide et laissez sécher à l'air libre avant chaque utilisation.
2. Gardez la caméra FPV propre. Retirez d'abord les plus gros morceaux de sable et de gravier puis nettoyez les objectifs avec un chiffon propre et doux pour retirer la poussière ou d'autres débris.
3. Dans le cas d'un crash ou d'une collision, assurez-vous d'inspecter chaque partie de l'appareil en détail et réalisez les réparations et remplacements nécessaires avant votre prochain vol. En cas de problème ou si vous avez des questions, contactez le Service client DJI ou un revendeur agréé DJI.

Exigences relatives aux conditions de vol

Conditions météorologiques et environnement

AVERTISSEMENT

L'appareil est conçu pour fonctionner dans des conditions météorologiques bonnes ou modérées. Pour éviter toute collision, blessure grave, dégât matériel ou risque pour la santé, respectez les consignes suivantes :

1. N'utilisez PAS l'appareil dans des conditions météorologiques difficiles comme dans des vents violents dépassant 28 km/h (17 mph), de fortes précipitations (taux de précipitation dépassant 25 mm (0,98 pouce) en 12 heures), du brouillard ou de la neige.
2. Afin d'empêcher tout risque pour la santé aux personnes proches et pour assurer une pulvérisation efficace, manœuvrez l'appareil pour pulvériser dans des vents inférieurs à 18 km/h (11 mph).
3. Pendant le vol, maintenez l'appareil à une distance de sécurité d'au moins 10 m (30 pieds) des obstacles, personnes, animaux, bâtiments, infrastructures publiques et étendues d'eau présents dans l'environnement de vol. Lorsque l'appareil prend de la hauteur, éloignez-le encore plus des objets ou obstacles susmentionnés.
4. NE volez PAS au-dessus de 4,5 km (14 763 pieds) au-dessus du niveau de la mer.
5. L'appui DJI Agras recommandera intelligemment le poids de la charge utile du réservoir en fonction du statut actuel et de l'environnement de l'appareil. Lorsque vous ajoutez du produit dans le réservoir, le poids maximal ne doit pas dépasser la valeur recommandée. Sinon, la sécurité du vol peut en être affectée.
6. NE faites fonctionner AUCUNE pièce de l'appareil en intérieur.

AVIS

1. Les performances de l'appareil et de la batterie sont sujettes à des facteurs environnementaux, tels que la température et la densité de l'air.
 - a. Volez avec précaution lorsque vous êtes à 2 km (6 560 pieds) ou plus au-dessus du niveau de la mer, car ces conditions risquent de nuire aux performances de l'appareil et de la batterie.
2. N'utilisez PAS l'appareil à proximité d'accidents, d'incendies, d'explosions, d'inondations, de tsunamis, d'avalanches, de glissements de terrain, de tremblements de terre, de zones très poussiéreuses ou de tempêtes de sable.
3. Dans les environnements à basse température (entre 0 et 10 °C [32 et 50 °F]), assurez-vous que la batterie de vol est entièrement chargée et réduisez la charge utile de l'appareil. Sinon, cela affecte la sécurité du vol ou la limite de décollage se déclenchera.

Interférence avec le contrôleur de vol et les communications

AVIS

1. Faites voler l'appareil dans des espaces dégagés. La présence de grands bâtiments, de structures en acier, de montagnes, de rochers ou d'arbres peut affecter la précision du compas intégré et bloquer les signaux du GNSS et de la radiocommande.
2. Évitez d'utiliser des appareils sans fil qui utilisent les mêmes bandes de fréquences que la radiocommande.

3. La sensibilité du module radar pourrait être réduite quand plusieurs appareils sont pilotés simultanément sur une courte distance. Opérez avec précaution.
4. Quand vous utilisez plusieurs appareils, dont les appareils T30, T10 et autres, assurez-vous que la distance entre chacun d'entre eux est de plus de 10 m pour éviter les interférences.
5. Lors de l'utilisation de la fonction de contrôle multiappareils, n'utilisez pas plus de trois groupes dans un rayon de 50 mètres, afin d'éviter les interférences entre les groupes.
6. Faites preuve de prudence lorsque vous faites voler l'appareil à proximité de zones soumises à des interférences magnétiques ou radio. Celles-ci incluent, mais sans s'y limiter, les lignes à haute tension, les grandes centrales électriques ou stations de base et les tours de diffusion. Dans le cas contraire, la qualité du signal peut être compromise et des erreurs de transmission peuvent également survenir, ce qui peut affecter l'orientation du vol et la précision de la localisation. L'appareil peut se comporter anormalement ou échapper à tout contrôle dans les zones soumises à de fortes interférences.
7. Si le dongle RTK est utilisé pour la planification des champs, le module doit être déconnecté de la radiocommande après avoir terminé la planification. Sinon, cela affecte les performances de communication de la radiocommande.

Utilisation responsable de l'appareil

AVERTISSEMENT

Veillez respecter les consignes ci-dessous pour éviter tout dysfonctionnement d'un composant interne, toute blessure grave ou tout dégât matériel :

1. Veillez à ne pas être sous l'emprise de médicaments ou de l'alcool ou sous l'effet d'une anesthésie, et à ne pas souffrir de vertiges, de fatigue, de nausée ou de toute autre affection, physique ou mentale, pouvant altérer votre capacité à utiliser l'appareil en toute sécurité.
2. Coupez les moteurs en plein vol UNIQUEMENT s'il s'agit d'un cas d'urgence dans lequel cette action peut réduire le risque de dommage ou de blessure.
3. Après l'atterrissage, mettez d'abord l'appareil hors tension, puis éteignez la radiocommande.
4. Veillez à NE PAS laisser tomber, lancer, tirer ou projeter de quelque autre manière que ce soit des charges dangereuses sur ou dans des bâtiments, des personnes ou des animaux, ou toute charge qui pourrait causer des blessures ou des dommages matériels.

AVIS

1. Assurez-vous d'être suffisamment entraîné et de connaître les plans d'urgence à appliquer en situation d'urgence ou en cas d'accident.
2. Assurez-vous d'avoir un plan de vol et de NE PAS piloter l'appareil de manière irresponsable.
3. N'utilisez PAS ce produit pour tout usage illégal ou inapproprié (comme de l'espionnage, des opérations militaires, ou des enquêtes non autorisées).
4. N'utilisez PAS ce produit pour diffamer, abuser, harceler, traquer, menacer ou autrement violer les droits d'autrui comme le droit au respect de la vie privée et le droit à l'image.
5. NE vous introduisez PAS sans autorisation dans une propriété privée.

Modes de vol, modes d'opération, fonctions et avertissements

Modes de vol

AVIS

Mode P (Positionnement) : L'appareil utilise le module GNSS ou RTK pour le positionnement. Quand le signal GNSS est fort, l'appareil utilise le GNSS pour le positionnement. Quand le module RTK est activé et que le différentiel de transmission de données est élevé, il fournit un positionnement au centimètre près. L'appareil retourne au mode A quand le signal GNSS est faible ou quand le compas subit des interférences.

L'appareil vole par défaut en mode P.

Mode-A (Attitude) : Le GNSS n'est pas utilisé pour le positionnement et l'appareil ne peut maintenir son altitude qu'avec un baromètre. La vitesse de vol en mode A dépend de son environnement, par exemple de la vitesse du vent.

En mode A, l'appareil ne peut pas se positionner automatiquement et est facilement affecté par son environnement, ce qui peut entraîner un décalage horizontal. Utilisez la radiocommande pour positionner l'appareil.

Manœuvrer l'appareil en mode A peut être difficile. Évitez de faire voler l'appareil dans des zones où le signal GNSS est faible ou dans des espaces confinés. Sinon, l'appareil passe en mode A ce qui peut entraîner des risques en vol. Faites atterrir l'appareil dans un endroit sûr dès que possible.

Modes de fonctionnement

AVERTISSEMENT

Veillez respecter les consignes ci-dessous pour éviter tout dysfonctionnement d'un composant interne, toute blessure grave ou tout dégât matériel :

1. Assurez-vous de comprendre entièrement le comportement de l'appareil dans chaque mode de fonctionnement avant son utilisation.
2. Restez à l'écart des obstacles proches de la trajectoire d'opération. Maintenez l'appareil dans votre champ de vision et observez son statut en toutes circonstances.
3. Utilisez les modes Itinéraire ou Itinéraire A-B uniquement si vous recevez un signal GNSS fort.

Sécurité et retour au point de départ (RTH)

AVIS

1. Le RTH ne fonctionnera pas si le signal GNSS est faible ou inexistant.
2. La présence de grands bâtiments peut nuire à la procédure RTH. Il est donc important de définir une altitude Failsafe avant chaque vol. Ajustez l'emplacement de l'appareil, l'altitude et la vitesse du retour au point de départ pour éviter les obstacles lorsque le signal de la radiocommande est fort.
3. Assurez-vous d'opérer l'appareil dans la plage de transmission optimale de la radiocommande.
4. Utilisez le RTH uniquement en cas d'urgence. Son fonctionnement peut être entravé par les conditions météorologiques, l'environnement ou les champs magnétiques à proximité.
5. Si un obstacle se trouve dans les 20 m de l'appareil, celui-ci ralentit, s'arrête et vole en stationnaire. L'appareil quittera la procédure RTH et attend de nouvelles commandes.
6. Si le RTH est déclenché pendant les opérations d'itinéraire, l'appareil peut planifier une trajectoire de vol pour le RTH afin de contourner les obstacles ajoutés lors de la planification d'un champ.

Batterie faible

AVIS

1. Lorsque l'avertissement de niveau de batterie critique est activé et que l'appareil entame automatiquement sa descente, vous pouvez accélérer pour maintenir l'altitude de l'appareil et le diriger vers un endroit plus approprié pour l'atterrissage.
2. Lorsque des avertissements de batterie se déclenchent, faites revenir rapidement l'appareil au point de départ ou faites-le atterrir pour éviter de perdre de la puissance pendant le vol et de causer des dommages à l'appareil, aux biens, aux animaux ou aux personnes.

Réservoir vide

AVIS

1. Une invite apparaît dans l'application DJI Agras et l'appareil vole en stationnaire quand le réservoir à pulvérisation est vide. Dans les modes d'opération Itinéraire, Itinéraire A-B et Manuel Plus, l'appareil peut aussi être configuré pour monter ou retourner au point de départ au lieu de voler en stationnaire. Consultez le guide d'utilisateur pour en savoir plus sur les modes d'opération.

Respect de la réglementation et des limitations de vol

Réglementations

AVERTISSEMENT

Pour éviter tout comportement non conforme, toute blessure grave ou tout dégât matériel, respectez les consignes suivantes :

1. NE modifiez PAS l'appareil ou ne l'utilisez pas pour des applications autres que l'agriculture.
2. NE faites PAS voler l'appareil à proximité d'un aéronef avec pilote, quelle que soit l'altitude. Atterrissez immédiatement si nécessaire.
3. NE faites PAS voler l'appareil dans des zones où se tiennent de grands événements, notamment des manifestations sportives et des concerts.
4. NE faites PAS voler l'appareil dans des zones interdites par les lois locales.
5. Tenez-vous à l'écart et NE perturbez PAS le fonctionnement des aéronefs avec pilote. Ayez toujours conscience des autres appareils et obstacles à proximité et évitez-les en toutes circonstances.

MISE EN GARDE

Pour éviter tout comportement non conforme, toute blessure grave ou tout dégât matériel, respectez les consignes suivantes :

1. NE faites PAS voler l'appareil à proximité ou à l'intérieur des zones restreintes établies par les lois et réglementations locales en vigueur. Les zones restreintes incluent, sans s'y limiter, les aéroports, les frontières entre pays souverains ou entre régions, les grandes villes et les zones où des événements ou activités temporaires se déroulent. Veuillez noter que les zones restreintes sont mises à jour en permanence.
2. NE dépassez PAS l'altitude autorisée.
3. Gardez votre appareil à portée de vue (VLOS) et faites appel à un observateur pour vous aider si nécessaire.
4. N'utilisez PAS l'appareil pour transporter des marchandises/charges illégales ou dangereuses.

AVIS

1. Assurez-vous de comprendre la nature et le type de chaque opération de vol (ex. : loisirs, usage public ou usage commercial) et d'obtenir l'approbation et l'autorisation des agences publiques concernées avant le vol. Contactez les pouvoirs locaux pour obtenir des définitions précises et une liste des exigences en matière de vol applicables à votre lieu de résidence. Rendez-vous sur le site <http://www.dji.com> pour connaître les dernières instructions et mises en garde. Visitez la page <https://www.dji.com/flysafely> pour en savoir plus sur la sécurité en vol et la conformité. Veuillez noter que l'utilisation d'appareils radiocommandés à des fins commerciales est interdite dans certains pays et régions. Veuillez consulter et respecter toutes les lois et réglementations locales avant de faire voler l'appareil ; ces réglementations peuvent différer de celles indiquées dans ce document.
2. NE faites PAS voler l'appareil autour d'infrastructures ou de sites réglementés tels que les centrales électriques, les installations de traitement des eaux usées, les centres pénitentiaires, les routes très fréquentées, les sites gouvernementaux, les zones militaires, etc.

Limites de vol

AVIS

La sécurité du vol constitue une priorité pour DJI. Ainsi, nous avons développé divers systèmes pour aider les utilisateurs à respecter les lois et les réglementations en matière de sécurité aérienne. Nous recommandons fortement de télécharger la dernière version du firmware afin d'actualiser les fonctions suivantes :

Zones GEO

1. Toutes les zones GEO sont répertoriées sur le site Web officiel de DJI à l'adresse <http://www.dji.com/flysafe>. Les zones GEO sont divisées en différentes catégories et comprennent, sans s'y limiter, des endroits tels que les aéroports, les terrains d'aviation où des appareils avec pilote opèrent à basse altitude, les frontières entre deux régions ou pays souverains, les endroits stratégiques comme les centrales électriques et des zones accueillant des événements importants.
2. Les restrictions de vol varient selon les zones. Selon les restrictions définies pour une zone particulière, des avertissements peuvent apparaître dans l'application DJI Agras, le décollage peut être interdit, l'altitude en vol peut être limitée ou l'appareil peut prendre des mesures automatiques telles que l'atterrissage automatique.
3. Les fonctions liées aux actions que vous pouvez effectuer pendant le vol sont affectées, dans une certaine mesure, lorsque l'appareil se trouve à proximité ou à l'intérieur d'une zone GEO. Lorsqu'il est proche ou à l'intérieur d'une zone GEO, l'appareil peut ralentir, il devient impossible de créer une tâche de vol ou une tâche de vol en cours risque d'être interrompue. Veuillez remarquer que les effets ne sont pas limités à ceux mentionnés ci-dessus.

Limite d'altitude

1. Ne faites pas voler l'appareil à plus de 100 m (328 pieds) au-dessus du sol et tenez-vous à l'écart de tout obstacle.

Limite de distance

1. La distance de vol maximum est de 1 km (0,62 mi) par défaut. Veuillez noter que le niveau de charge de la batterie pourrait ne pas suffire pour revenir au point de départ si l'appareil est trop éloigné. Pilotez avec précaution.

Contrôle des exportations

Respect de la législation applicable relative au contrôle des exportations

L'exportation, la réexportation et le transfert des Produits sont sujets aux lois chinoises de contrôle des exportations et d'autres lois et sanctions applicables en matière de contrôle des exportations (ci-après collectivement désignées « Lois de contrôle des exportations »). Avant l'utilisation, la vente, le transfert, la location ou toute autre activité relative aux Produits, à moins que vous n'en ayez reçu l'autorisation par la Législation sur le contrôle des exportations ou la licence délivrée par les autorités compétentes, vous devez notamment vérifier et garantir, par des mesures appropriées, que :

1. Vous n'enfreignez aucun embargo imposé par les lois de contrôle des exportations ;
2. Ces Produits ne seront pas fournis aux entités, aux personnes et aux organismes répertoriés dans les listes applicables des parties visées par des sanctions.
3. Ces Produits ne sont pas destinés à être utilisés en lien avec des applications relatives aux armements, aux armes nucléaires, chimiques ou biologiques, ou à des technologies de missiles ;

Conformité des exportations ; Clause d'exclusion de responsabilité et indemnités

Vous reconnaissez qu'il est de votre responsabilité de vous conformer à la législation chinoise sur le contrôle des exportations et à toute autre législation applicable en matière de contrôle des exportations. Vous serez seul responsable des questions d'ordre juridique si votre utilisation, vente, transfert, location ou autre conduite liée aux produits ne respecte pas les lois applicables en matière de contrôle des exportations. DJI ne sera, en aucun cas, responsable de votre violation des lois applicables en matière de contrôle des exportations. En outre, vous devez indemniser, défendre et dégager de toute responsabilité DJI, ses affiliés, directeurs, responsables, employés, agents et représentants, contre toutes les réclamations, demandes, poursuites, causes d'action, dépenses (y compris les frais d'avocat raisonnables), dommages, pertes ou responsabilités de quelque nature que ce soit, résultant ou prétendument résultant de, ou liés à, votre manquement aux lois applicables en matière de contrôle des exportations.

Ce contenu est susceptible d'être modifié sans préavis.

Télécharger la dernière version sur
<http://www.dji.com/t30>

AGRAS et  sont des marques déposées de DJI.
Copyright © 2021 DJI Tous droits réservés.



Noções de segurança



A aeronave AGRAS™ T30/T10 NÃO é um brinquedo e não é adequada para crianças menores de 18 anos. Observe que a seção Noções de Segurança apenas apresenta rapidamente dicas de segurança. Certifique-se de ler e compreender este documento e o Manual do Usuário da Agram T30/T10.

1. Uso de pesticidas

- Evite ao máximo o uso de pesticidas em pó, pois eles podem reduzir a vida útil do sistema de pulverização.
- Pesticidas são venenosos e apresentam sérios riscos à segurança. Use-os apenas em estrita conformidade com as especificações.
- Resíduos no equipamento causados por respingos ou derramamentos ao despejar e misturar o pesticida podem irritar sua pele. Certifique-se de limpar o equipamento após a mistura.
- Use água limpa para misturar o pesticida e filtre o líquido misturado antes de despejar no tanque de pulverização, evitando bloqueio do filtro. Remova bloqueios antes de usar o equipamento.
- Certifique-se de ficar em uma área contra o vento ao pulverizar pesticidas para evitar ferimentos.
- Use roupas de proteção para evitar o contato direto do corpo com o pesticida. Lave as mãos e a pele após manusear pesticidas. Limpe a aeronave e o controle remoto após a aplicação do pesticida.
- O uso eficaz de pesticidas depende da densidade do pesticida, taxa de pulverização, distância de pulverização, velocidade da aeronave, velocidade e direção do vento, temperatura e umidade. Considere todos os fatores ao usar pesticidas, mas NÃO comprometa a segurança de pessoas, animais ou do meio ambiente ao fazê-lo.
- NÃO contamine rios e fontes de água potável.
- Descarte o spray excedente: o planejamento da operação de pulverização ajuda a garantir a aquisição de pesticida suficiente para a área a ser tratada e que a quantidade de solução de pulverização excedente seja reduzida ao mínimo. Recomenda-se que qualquer spray ou líquido de lavagem excedente no tanque seja usado nas lavouras. Os usuários também podem considerar a instalação de uma tubulação para descartar o líquido de lavagem no tanque.
- NÃO use ácidos fortes, bases fortes, líquidos em alta temperatura ou pesticidas que sejam expressamente proibidos.

2. Considerações com o meio ambiente

- Sempre voe em locais sem edifícios e outros obstáculos. NÃO voe acima de multidões ou próximo delas.
- NÃO voe além de 4,5 km (14.763 pés) acima do nível do mar.
- Voe somente em condições climáticas moderadas, com temperaturas entre 0° e 45 °C.
- Certifique-se de que suas operações não violem leis ou regulamentações aplicáveis e que você tenha obtido todas as autorizações prévias necessárias. Consulte a agência ou autoridade governamental relevante, ou seu advogado antes do voo para garantir que você cumpra todas as leis e regulamentos relevantes.
- NÃO opere nenhuma parte da aeronave em ambientes fechados.

3. Lista de verificação pré-voo

Certifique-se de verificar todos os itens a seguir:

- Certifique-se de que as baterias do controle remoto e da aeronave estejam totalmente carregadas.
- Todas as partes estão em boas condições. Substitua peças velhas ou quebradas antes do voo.
- O trem de pouso e o tanque de pulverização estão presos com firmeza no lugar.
- As hélices e os braços da estrutura estão desdobrados e as travas dos braços bem apertadas. As hélices estão em boas condições e apertadas com firmeza. Não há nada obstruindo os motores e as hélices.
- NÃO bloqueie a posição no revestimento da aeronave embaixo do qual o radar superior está localizado.
- O sistema de pulverização não está bloqueado e funciona corretamente.

- A bússola é calibrada após ser solicitado a fazê-lo no aplicativo.

4. Descrição da classificação de proteção de entrada

Ao funcionar normalmente, a aeronave é à prova d'água, de poeira e resistente à corrosão. Em condições laboratoriais estáveis, a aeronave (com exceção da bateria de voo inteligente) tem classificação de proteção IP67 (IEC 60529) e pode ser limpa com uma pequena quantidade de água. No entanto, esta classificação de proteção não é permanente, podendo ser reduzida com o tempo após o uso prolongado devido ao envelhecimento e desgaste. A aeronave do produto não cobre danos causados por água.

As classificações de proteção da aeronave mencionada acima podem diminuir nos seguintes cenários:

- Quando a estrutura de vedação for deformada durante uma colisão.
- A estrutura de vedação do invólucro está rachada ou danificada.
- As coberturas à prova d'água não estão devidamente presas.

5. Operação

- Fique longe das hélices rotativas e dos motores.
- Certifique-se de voar dentro do peso máximo de decolagem especificado para evitar possíveis riscos à segurança.
- O aplicativo DJI Agram recomendará, de forma inteligente, o peso de carga do tanque de acordo com o status atual e os arredores da aeronave. Ao adicionar material ao tanque, o peso máximo não deve exceder o valor recomendado. Caso contrário, a segurança do voo pode ser afetada.
- Mantenha a aeronave sempre no seu campo de visão (VLOS).
- NÃO use o Comando combinado do joystick (CSC) ou outros métodos para interromper os motores quando a aeronave estiver no ar, a menos que em uma situação de emergência.
- NÃO atenda chamadas durante o voo. NÃO voe sob a influência de álcool ou entorpecentes.
- Em caso de advertência de bateria fraca, aterrisse a aeronave em um local seguro.
- Se o módulo de radar não funcionar corretamente no ambiente operacional, a aeronave não será capaz de evitar obstáculos durante o retorno à base (RTH). O que pode ser ajustado é a velocidade de voo e altitude, desde que o controle remoto ainda esteja conectado.
- Após o pouso, pare os motores, desligue a aeronave e desligue o controle remoto. Caso contrário, a aeronave pode entrar no RTH à prova de falhas automaticamente devido à perda de sinal do controle remoto.
- Mantenha o controle total da aeronave o tempo todo e não confie no aplicativo DJI Agram. A função de evitar obstáculos é desativada em certas situações. Mantenha a aeronave dentro do seu campo de visão e preste muita atenção ao voo. Use discernimento para operar a aeronave e evite obstáculos manualmente em tempo hábil. É importante estabelecer altitude RTH e à prova de falhas adequadas antes de cada voo.

6. Manutenção e conservação

- NÃO utilize hélices velhas, lascadas ou quebradas.
- Para evitar danos ao trem de pouso, remova ou esvazie o tanque de pulverização durante o transporte ou quando não estiver em uso.
- Temperatura de armazenamento recomendada (quando o tanque de pulverização, medidor de fluxo, bombas e mangueiras estiverem vazios): entre -20° e 40 °C.
- Limpe a aeronave imediatamente após a pulverização. Inspeccione a aeronave regularmente. Consulte a seção Cuidados com o produto para obter mais informações sobre as diretrizes de manutenção.

7. Obediência às leis e regulamentações locais

- Você pode encontrar uma lista de zonas GEO da DJI™ em <http://www.dji.com/fliesafe>. As zonas GEO da DJI não substituem as regulamentações governamentais locais e nem o bom senso.
- Evite voar acima de 100 m (328 pés).*

* O limite de altitude de voo varia em diferentes países ou regiões. Certifique-se de voar nas altitudes definidas pelas leis e regulamentos locais.



Voe em áreas abertas

+



Sinal GNSS forte

+

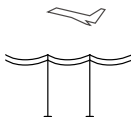


VLOS

+



Voe abaixo de 100 m (328 pés)

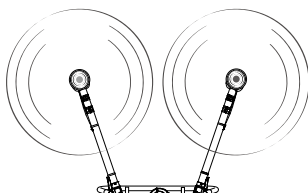


Evite voar sobre ou próximo a multidões, linhas de alta tensão ou corpos d'água.

Fontes eletromagnéticas fortes, tais como **linhas de tensão, estações base e edifícios altos** podem afetar a bússola integrada.



NÃO utilize a aeronave em condições climáticas adversas, como ventos superiores a 28 km/h, chuva forte (taxa de precipitação superior a 25 mm em 12 horas), neblina, neve, relâmpagos, tornados ou furacões.



Fique longe das hélices rotativas e dos motores.



Zonas GEO

Saiba mais em:
<http://www.dji.com/flysafe>

Atenção

Todas as instruções e os outros documentos correlacionados estão sujeitos a alterações a critério exclusivo da SZ DJI TECHNOLOGY CO., LTD. Para obter informações atualizadas sobre o produto, visite <http://www.dji.com> e clique na página do produto.

Glossário

São utilizados os seguintes termos em toda a documentação do produto para indicar vários níveis de possíveis danos ao utilizar este produto:

ATENÇÃO Procedimentos que, se não seguidos corretamente, criam a probabilidade de danos físicos e a possibilidade de ferimentos.

CUIDADO Procedimentos que, se não seguidos corretamente, criam a probabilidade de danos físicos e ao patrimônio e a possibilidade de ferimentos graves.

ADVERTÊNCIA Procedimentos que, se não seguidos corretamente, criam a probabilidade de danos ao patrimônio, danos colaterais e ferimentos graves ou criam alta probabilidade de ferimentos graves.



ADVERTÊNCIA

Leia o Manual do Usuário em sua totalidade para se familiarizar com as

características deste produto antes de usá-lo. A utilização deste produto de uma maneira que não seja segura e responsável pode resultar em danos ao produto, à propriedade pessoal ou causar lesões graves. Este é um produto sofisticado. Ele deve ser usado com cuidado e bom senso, e requer alguns conhecimentos básicos de mecânica. Este produto não foi concebido para ser utilizado por crianças. Não use com componentes incompatíveis nem altere este produto de qualquer forma que não conste dos documentos fornecidos pela SZ DJI TECHNOLOGY CO., LTD. Estas diretrizes de segurança contêm instruções de segurança, funcionamento e manutenção. É essencial ler e seguir todas as instruções e os avisos presentes no Manual do Usuário antes da montagem, configuração ou utilização, a fim de poder usar o produto corretamente e evitar danos materiais ou físicos.

Lista de verificação pré-voo

Certifique-se de verificar todos os itens a seguir:

1. Use apenas peças originais e em boas condições.
2. Baterias do controle remoto e da aeronave estão totalmente carregadas. Ao usar uma Bateria Inteligente externa, ainda é necessário garantir que a bateria interna tenha alguma carga. Caso contrário, o controle remoto não poderá ser ligado.
3. As hélices estão em boas condições e presas nos motores de maneira correta e segura.
4. As hélices e os braços da estrutura estão desobstruídos e as travas dos braços bem apertadas.
5. Os motores são presos com segurança e dão partida e funcionam normalmente.
6. Trem de pouso, tanque de pulverização e bateria de voo inteligente estão presos com firmeza.
7. Todas as peças estão montadas com segurança e os cabos estão conectados de forma correta e firme.
8. Não há nada obstruindo as antenas da D-RTK™, antenas do OcuSync™ ou a posição no revestimento da aeronave embaixo do qual o radar superior está localizado.
9. O firmware da aeronave e o aplicativo DJI Aeras foram atualizados para as versões mais recentes.
10. Sua área de voo está fora de Zonas GEO e as condições de voo são adequadas para voo da aeronave.
11. Certifique-se de não voar sob a influência de álcool, entorpecentes ou qualquer substância que possa prejudicar suas capacidades cognitivas.
12. Esteja familiarizado com o modo de voo selecionado e entenda todas as funções e avisos de segurança.
13. Certifique-se de observar todas as regulamentações locais, obter as autorizações apropriadas e compreender os riscos. É sua responsabilidade exclusiva obedecer a todas as regulamentações de voo.

14. O aplicativo DJI Aeras foi iniciado corretamente para ajudar sua operação da aeronave. Sem os dados de voo registrados pelo aplicativo DJI Aeras e armazenados no seu controle remoto, em determinadas situações, incluindo a perda da sua aeronave, a DJI pode ficar impossibilitada de oferecer suporte pós-vendas ou assumir qualquer responsabilidade.

Isenção de responsabilidade e advertências

Este produto NÃO é um brinquedo e não é adequado para crianças menores de 18 anos. Adultos devem manter a aeronave fora do alcance de crianças e NÃO operá-la na presença de crianças.

O uso inadequado deste produto pode resultar em lesões pessoais ou danos ao patrimônio. Leia os materiais associados ao produto antes de usá-lo pela primeira vez. Esses documentos estão incluídos na embalagem do produto e também estão disponíveis on-line no site <http://www.dji.com>, na página de produtos da DJI.

Este produto é uma plataforma de voo multirrotor destinada apenas a aplicações agrícolas em terras agrícolas, florestas e pomares. Ele oferece facilidade de voo enquanto em funcionamento pleno, conforme estabelecido abaixo. Visite <http://www.dji.com> para obter as instruções e advertências mais atualizadas e <https://www.dji.com/flightsafe> para obter mais informações sobre segurança e conformidade de voo.

As informações contidas neste documento afetam a sua segurança e os seus direitos legais e responsabilidades. Leia este documento cuidadosamente para assegurar uma configuração correta antes da utilização. Deixar de ler e seguir as instruções e avisos deste documento pode resultar em perda do produto, ferimentos graves em você ou danos à sua aeronave.

O uso deste produto confirma que o usuário leu cuidadosamente a presente Isenção de Responsabilidade e o Manual do Usuário, e que compreende e aceita obedecer aos Termos e Condições aqui expostos. EXCETO QUANDO EXPRESSAMENTE DETERMINADO PELAS POLÍTICAS DE SERVIÇOS DE PÓS-VENDA DA DJI DISPONÍVEIS NO SITE ([HTTP://WWW.DJI.COM/SERVICE](http://www.dji.com/SERVICE)), O PRODUTO E TODOS OS MATERIAIS, BEM COMO O CONTEÚDO DISPONIBILIZADO POR MEIO DO PRODUTO, SÃO FORNECIDOS "COMO ESTÃO" E SUJEITOS À "DISPONIBILIDADE", SEM GARANTIA OU CONDIÇÃO DE QUALQUER TIPO, TANTO EXPLÍCITAS QUANTO IMPLÍCITAS. A DJI ISENTA-SE DE TODAS AS GARANTIAS DE QUAISQUER TIPOS, EXCETO QUANDO EXPRESSAMENTE DETERMINADO PELAS POLÍTICAS DE SERVIÇOS DE PÓS-VENDA DA DJI, SEJA DE FORMA IMPLÍCITA OU EXPLÍCITA, EM RELAÇÃO AO PRODUTO, AOS ACESSÓRIOS DO PRODUTO E A TODOS OS MATERIAIS, INCLUINDO: (A) QUALQUER GARANTIA IMPLÍCITA DE COMERCIALIZAÇÃO, CONDICIONAMENTO PARA UM PROPÓSITO ESPECÍFICO, POSSE, DIVERTIMENTO SILENCIOSO OU NÃO VIOLAÇÃO; E (B) QUALQUER GARANTIA DECORRENTE DE DISTRIBUIÇÃO, USO OU TROCA. A DJI NÃO GARANTE, EXCETO QUANDO EXPRESSAMENTE DETERMINADO NA GARANTIA LIMITADA DA DJI, QUE O PRODUTO, OS ACESSÓRIOS DO PRODUTO, QUALQUER PEÇA DO PRODUTO OU QUALQUER MATERIAL SÃO LIVRES DE INTERFERÊNCIAS, SEGUROS OU LIVRES DE ERROS, VÍRUS OU OUTROS COMPONENTES NOCIVOS, E NÃO GARANTE QUE QUALQUER UM DESSES PROBLEMAS SERÁ CORRIGIDO.

NENHUM AVISO OU INFORMAÇÃO, SEJA VERBAL OU ESCRITO(A), OBTIDO(A) POR VOCÊ A RESPEITO DO PRODUTO, DOS ACESSÓRIOS DO PRODUTO OU DE QUALQUER MATERIAL CRIARÁ QUALQUER GARANTIA DA DJI OU DO PRODUTO QUE NÃO ESTEJA EXPLICITAMENTE DESCRITO NESSES TERMOS. VOCÊ ASSUME TODOS OS RISCOS POR QUALQUER DANO QUE POSSA RESULTAR DO SEU USO OU ACESSO AO PRODUTO, AOS ACESSÓRIOS DO PRODUTO E A QUAISQUER MATERIAIS. VOCÊ ENTENDE E CONCORDA QUE O USO QUE FAZ DO PRODUTO É DE SUA RESPONSABILIDADE E RISCO, E QUE VOCÊ É TOTALMENTE RESPONSÁVEL POR QUALQUER FERIMENTO PESSOAL, MORTE, DANO AO PATRIMÔNIO (INCLUINDO O SISTEMA DO SEU COMPUTADOR OU DISPOSITIVO MÓVEL, OU O HARDWARE DA DJI USADO EM CONEXÃO COM O PRODUTO) OU AO PATRIMÔNIO DE TERCEIROS, BEM COMO A PERDA DE DADOS RESULTANTE DO USO OU DA FALTA DE CAPACIDADE DE UTILIZAR O PRODUTO. ALGUMAS JURISDIÇÕES PODEM PROIBIR A ISENÇÃO DE RESPONSABILIDADE DE GARANTIA, E VOCÊ

PODE TER OUTROS DIREITOS QUE VARIAM DE ACORDO COM A JURISDIÇÃO.

DJI é uma marca comercial da SZ DJI TECHNOLOGY CO., LTD. e de suas empresas afiliadas. Nomes de produtos, marcas etc., que aparecem neste documento são marcas comerciais ou marcas registradas de suas respectivas empresas proprietárias.

Limitação de Responsabilidade

EM NENHUM EVENTO AS ENTIDADES DA DJI SERÃO RESPONSÁVEIS POR QUAISQUER DANOS INDIRETOS, INCIDENTAIS, ESPECIAIS, CONSEQUENCIAIS OU PUNITIVOS (INCLUINDO DANOS POR LUCROS CESSANTES, CORTESIA OU QUALQUER OUTRA PERDA INTANGÍVEL) DERIVADOS OU RELACIONADOS A SEU ACESSO OU USO, OU INCAPACIDADE DE ACESSO OU USO, DO PRODUTO, ACESSÓRIOS DO PRODUTO OU QUAISQUER MATERIAIS, DADOS DO AMBIENTE DE VOO, SEJA COM BASE EM GARANTIA, CONTRATO, ATO ILÍCITO (INCLUINDO NEGLIGÊNCIA), ESTATUTO OU QUALQUER OUTRA TEORIA LEGAL, E HAVENDO QUALQUER ENTIDADE DJI SIDO OU NÃO INFORMADA DA POSSIBILIDADE DE DANO.

EXCETO MEDIANTE CONCORDÂNCIA ENTRE VOCÊ E A DJI, A RESPONSABILIDADE AGREGADA DAS ENTIDADES DA DJI PARA VOCÊ POR TODAS AS QUEIXAS DERIVADAS OU RELACIONADAS AO USO, OU INCAPACIDADE DE USO, DE QUALQUER PARTE DO PRODUTO OU, DE OUTRA FORMA NOS PRESENTES TERMOS, SEJA EM CONTRATO, ATO ILÍCITO OU OUTRO, LIMITA-SE AO VALOR DE US\$ 100.

Armazenamento e uso de dados

Quando você usar nosso aplicativo móvel ou nossos produtos ou outro software, você poderá fornecer à DJI dados sobre o uso e a operação do produto, como os dados de telemetria de voo (por exemplo, velocidade, altitude, duração da bateria e informações sobre o estabilizador e a câmera) e registros de operações. Para mais informações, consulte a Política de Privacidade da DJI (disponível em dji.com/policy).

A DJI reserva-se o direito de atualizar esta Isenção de Responsabilidade e Diretrizes de Segurança. Visite <http://www.dji.com> periodicamente para a versão mais recente. Esta Isenção de Responsabilidade está disponível em vários idiomas. Em caso de divergência entre versões diferentes, a versão em inglês prevalecerá.

Antes de começar

Os seguintes documentos foram desenvolvidos para ajudar você a operar e tirar o maior proveito possível da sua aeronave com segurança:

1. Incluído na embalagem
2. Isenção de Responsabilidade e Diretrizes de Segurança
3. Guia de início rápido
4. Manual do Usuário

Antes do voo, verifique todas as peças incluídas e listadas no documento da caixa correspondente e leia a isenção de responsabilidade e as diretrizes de segurança. Conclua a montagem e aprenda as operações básicas com a ajuda do guia de início rápido e do tutorial em vídeo no site oficial da DJI (<http://www.dji.com>). Consulte o Manual do Usuário no site oficial da DJI para obter informações mais abrangentes. Certifique-se de compreender totalmente a funcionalidade de cada uma das peças, os requisitos de condições do voo, as principais funções e sistemas de advertência de contingência e todas as regulamentações governamentais antes de cada voo. Se tiver qualquer dúvida ou problemas durante a instalação, manutenção ou uso deste produto, entre em contato com a DJI ou com um revendedor autorizado da DJI.

Peças individuais

Em relação às peças originais e funcionais

⚠️ ADVERTÊNCIA

Para evitar mau funcionamento do componente, ferimentos graves e danos à propriedade, siga as seguintes regras:

1. Use somente peças originais DJI ou peças certificadas pela DJI. Peças não autorizadas ou peças de fabricantes não certificados

pela DJI podem causar mau funcionamento do sistema e comprometer a segurança.

2. Verifique se não há objetos estranhos, como água, óleo, terra, areia, etc. dentro da aeronave ou em seus componentes.
3. Certifique-se de que a aeronave e seus componentes estejam em boas condições de funcionamento, sem danos e funcionando corretamente. Os componentes incluem, mas não estão limitados a controle remoto, bússola, sistema de propulsão, módulo de radar e sistema de pulverização.

Controle remoto

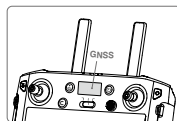
⚠️ ADVERTÊNCIA

Para evitar mau funcionamento do componente, ferimentos graves e danos à propriedade, siga as seguintes regras:

1. Use as entradas no controle remoto estritamente de acordo com suas especificações.
2. Certifique-se de que o dispositivo de exibição no controle remoto tenha acesso à internet (por Wi-Fi ou um cartão SIM). Caso contrário, os registros de voo não podem ser carregados para um servidor DJI e, portanto, a DJI pode não ser capaz de fornecer serviços de conserto cobertos pela garantia a você, e não será responsável por quaisquer perdas relacionadas ao problema.

ATENÇÃO

1. Carregue completamente o controle remoto antes de cada voo.
2. O controle remoto emitirá um som de alerta se estiver ligado e não conectado à aeronave e não tiver sido usado por 5 minutos. Após 10 segundos, ele será desligado automaticamente. Mova os pinos ou execute alguma outra ação para cancelar o alerta.
3. Certifique-se de que as antenas do controle remoto estejam desdobradas e ajustadas na posição adequada para obter a melhor qualidade de transmissão.
4. O GNSS no controle remoto está dentro do local acima do interruptor do modo de voo, conforme mostrado na figura. Para que o GNSS funcione corretamente, certifique-se de que esteja voltado para o céu, sem qualquer bloqueio e coloque o controle remoto horizontalmente.



5. Entre em contato com o Suporte DJI para consertar o controle remoto danificado. Antenas danificadas reduzirão fortemente o desempenho.
6. Os controladores remotos de substituição devem ser vinculados à aeronave. Após a vinculação, certifique-se de que a distância de transmissão pode chegar a 300 m antes do uso. Consulte o manual do usuário para obter mais informações sobre as instruções de vinculação.
7. Carregue e descarregue totalmente as baterias internas e externas do controle remoto pelo menos uma vez a cada três meses.
8. Carregue imediatamente a bateria interna ou externa do controle remoto quando seu nível de energia cair para 0%, evitando que o dispositivo seja danificado devido à descarga excessiva por um longo período. Descarregue as baterias para um nível de energia entre 40% e 60%, se armazenadas por um período prolongado.
9. Ao vincular uma aeronave a um controle remoto, qualquer outra vinculação que a aeronave tiver com qualquer outro controle será excluída. Da mesma forma, todas as aeronaves conectadas a um controle remoto no modo Controle de várias aeronaves só poderão ser controladas por esse controle remoto. Para controlar qualquer aeronave usando um controle remoto diferente, essa aeronave deve ser ligada manualmente ao controle remoto usando o aplicativo DJI Agram.
10. NÃO cubra a saída de ar do controle remoto. Caso contrário, o controle remoto pode aquecer excessivamente, o que pode afetar seu desempenho.
11. NÃO obstrua o dongle RTK quando utilizado.

Corpo da aeronave

⚠️ ADVERTÊNCIA

Para evitar mau funcionamento do componente, ferimentos graves e danos à propriedade, siga as seguintes regras:

1. Use as entradas no corpo da aeronave estritamente de acordo com suas especificações.
2. NÃO provoque curto-circuito nas entradas do corpo da aeronave.
3. Tenha cuidado ao montar ou limpar a aeronave, pois algumas partes do corpo da aeronave são afiadas.
4. T30: Dobre os braços M3 e M5 e, em seguida, os braços M2 e M6, certificando-se de que sejam inseridos nas braçadeiras de armazenamento em ambos os lados da aeronave. Caso contrário, os braços podem ser danificados. Levante e abaixe os braços M1 e M4 suavemente para reduzir o desgaste.
T10: Dobre os braços M3 e M4 e, em seguida, os braços M1 e M2, e certifique-se de que os braços sejam inseridos nas braçadeiras de armazenamento em ambos os lados da aeronave. Caso contrário, os braços podem ser danificados.
5. Ao utilizar a função RTK, apenas opere em ambientes abertos e livres da interferência de rádio. NÃO obstrua as antenas RTK quando utilizadas.
6. NÃO obstrua as antenas OcuSync.
7. Ao operar à noite, NÃO olhe diretamente para o Quick Track, evitando ferir seus olhos.
8. NÃO toque ou permita que suas mãos ou corpo toquem os dissipadores de calor ao ligar ou após o voo, pois podem estar quentes.
9. Se a entrada USB-C não estiver em uso, certifique-se de colocar a tampa à prova d'água. Caso contrário, pode entrar água, causando um curto-circuito.

Bateria de voo

⚠️ ADVERTÊNCIA

Para evitar mau funcionamento do componente, ferimentos graves e danos à propriedade, siga as seguintes regras:

1. Utilize apenas baterias de voo oficiais da DJI.
2. A tensão na aeronave pode chegar a 58,8 V. Leia as orientações de segurança da bateria e tome as precauções necessárias ao manusear as baterias para garantir sua própria segurança.
3. NÃO salpique a bateria com um volume excessivo de água.

Bússola

⚠️ CUIDADO

Para evitar mau funcionamento do componente, ferimentos graves e danos à propriedade, siga a seguinte regra:

1. Aterrissagem imediatamente quando um desvio considerável ocorrer durante o voo, como por exemplo, a aeronave não voar em linha reta.

⚠️ ATENÇÃO

Calibre a bússola quando o aplicativo solicitar que você o faça. Observe as seguintes regras ao calibrar sua bússola:

1. É importante calibrar a bússola. O resultado da calibração afetará a segurança do voo. A aeronave pode apresentar problemas de funcionamento se a bússola não estiver calibrada.
2. NÃO tente calibrar a bússola em locais com forte chance de interferência magnética. Isso inclui áreas onde existam postes ou paredes com reforços de aço.
3. NÃO carregue com você materiais ferromagnéticos, como chaves ou celulares, durante a calibração.
4. Se os indicadores de status da aeronave mostrarem uma luz vermelha piscando, a calibração da bússola falhou. Recalibre.
5. Após a calibração bem-sucedida, a bússola pode funcionar de forma anormal quando você colocar a aeronave no solo. Isso pode ser devido à interferência magnética subterrânea. Mova a aeronave para outro local e tente novamente.

Sistema de propulsão

⚠️ ADVERTÊNCIA

Para evitar ferimentos graves a si mesmo ou a terceiros, que podem ser causados por hélices rotativas e motores, observe as seguintes regras:

Hélices

1. Verifique se as hélices estão em boas condições antes de cada voo. Substitua hélices velhas, lascadas ou quebradas.
2. Desligue a aeronave antes de tocar nas hélices.
3. Preste atenção às bordas afiadas das hélices ao montá-las ou removê-las.
4. Certifique-se de que as hélices estejam desdobradas e apertadas com firmeza antes de cada voo.
5. Fique longe das hélices rotativas e dos motores para evitar ferimentos.

Motores

1. Certifique-se de que os motores estejam instalados com firmeza e girem suavemente.
2. NÃO tente modificar a estrutura dos motores.
3. NÃO toque, nem deixe suas mãos ou seu corpo tocarem os motores após o voo, pois eles podem estar quentes.

⚠️ CUIDADO

Para evitar mau funcionamento do componente, ferimentos graves e danos à propriedade, siga as seguintes regras:

1. NÃO bloqueie quaisquer orifícios de ventilação nos motores.

⚠️ ATENÇÃO

1. Mantenha os motores livres de poeira.
2. Se um motor estiver emperrado e não puder girar livremente, execute o Comando combinado do joystick (CSC) para parar os motores imediatamente.
3. Certifique-se de que o som dos motores esteja normal ao ligar.

Sistema de pulverização

⚠️ ADVERTÊNCIA

Para evitar mau funcionamento do componente, ferimentos graves e danos à propriedade, siga as seguintes regras:

Uso de pesticidas

1. Evite ao máximo o uso de pesticidas em pó, pois eles podem reduzir a vida útil do sistema de pulverização.
2. Pesticidas são venenosos e apresentam sérios riscos à segurança. Use-os apenas em estrita conformidade com as especificações.
3. Resíduos no equipamento causados por respingos ou derramamentos ao despejar e misturar o pesticida podem irritar sua pele. Certifique-se de limpar o equipamento após a mistura.
4. Use água limpa para misturar o pesticida e filtre o líquido misturado antes de despejar no tanque de pulverização, evitando bloqueio do filtro. Remova bloqueios antes de usar o equipamento.
5. Fique contra o vento ao pulverizar pesticidas para evitar ferimentos.
6. Use roupas de proteção para evitar o contato direto do corpo com o pesticida. Lave as mãos e a pele após manusear pesticidas. Limpe a aeronave e o controle remoto após a aplicação do pesticida.
7. O uso eficaz de pesticidas depende da densidade do pesticida, da taxa de pulverização, distância de pulverização, velocidade da aeronave, velocidade do vento, direção do vento, temperatura e umidade. Considere todos os fatores ao usar pesticidas, mas NÃO comprometa a segurança de pessoas, animais ou do meio ambiente ao fazê-lo.
8. NÃO contamine rios e fontes de água potável.

Aspersores

1. Evite usar pesticidas insolúveis, como pó molhável.
2. Os aspersores são peças delicadas. Limpe-os imediatamente após o uso.
3. NÃO dobre a mangueira em um arco mais apertado do que seu raio de curvatura mínimo. Isso evita víncos, que podem comprometer o efeito de pulverização.
4. Certifique-se de apertar as porcas da mangueira com firmeza para evitar vazamento de líquido.

Tanque de pulverização

1. Certifique-se de que o tanque de pulverização esteja bem colocado para evitar vazamento do líquido.
2. A carga do tanque de pulverização não deve exceder o máximo especificado. Consulte as especificações de cada modelo de aeronave para obter mais informações.

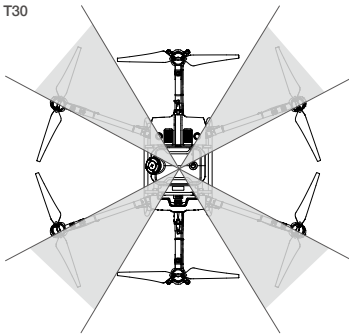
Sistema de radar de percepção esférica

⚠ WARNING

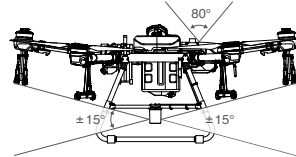
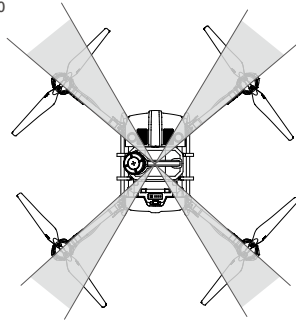
Para evitar mau funcionamento do componente, ferimentos graves e danos à propriedade, siga as seguintes regras:

1. NÃO toque, nem deixe que suas mãos ou corpo entrem em contato com as partes metálicas do módulo de radar ao ligar ou imediatamente após o voo, pois podem estar quentes.
2. Mantenha o controle total da aeronave o tempo todo e não confie no módulo de radar e no aplicativo DJI Agras. Mantenha a aeronave dentro do VLOS o tempo todo. Use discernimento para operar a aeronave manualmente e evitar obstáculos.
3. Conforme mostrado na figura abaixo, o radar digital omnidirecional tem faixa de detecção de obstáculos horizontais de 360° e faixa de detecção de obstáculos verticais de $\pm 15^\circ$, enquanto a faixa da distância de detecção é entre 1,5 e 30 m. Observe que a aeronave não pode detectar obstáculos que não estejam dentro da faixa de detecção. Voe com cuidado. Nas quatro áreas cinza da figura, o desempenho de detecção do módulo de radar pode ser reduzido devido à obstrução dos braços da estrutura e do trem de pouso. Voe com cuidado. A distância efetiva de detecção varia de acordo com o tamanho e o material do obstáculo. Ao detectar objetos como edifícios que contenham uma seção transversal de radar (RCS) de mais de -5 dBsm, a distância efetiva de detecção é de 20 a 30 m. Ao detectar objetos como linhas de tensão com RCS de -10 dBsm, a distância efetiva de detecção é de aproximadamente 15 m. Ao detectar objetos, tais como galhos de árvores secos, com RCS de -15 dBsm, a distância efetiva de detecção é de aproximadamente 10 m. A detecção de obstáculos pode funcionar com erro ou ser inválida em áreas fora da distância efetiva de detecção.
4. Ao montar o radar digital omnidirecional, certifique-se de que a marcação da seta esteja apontando para a parte frontal da aeronave.

T30



T10



ATENÇÃO

1. Cumpra as leis e regulamentos locais de transmissão de rádio.
2. A sensibilidade do módulo de radar pode ser reduzida ao operar várias aeronaves a uma curta distância. Opere com cuidado.
3. As funções de evitar obstáculos são desativadas no modo Atitude (ATTI).
4. NÃO tente desmontar qualquer parte do módulo de radar que já tenha sido montada antes do envio.
5. O módulo de radar é um instrumento de precisão. NÃO aperte, toque ou bata no módulo de radar.

Radar digital omnidirecional

1. Antes de usar, verifique se o módulo de radar está limpo e se a tampa de proteção externa não está rachada, lascada, afundada ou deformada.
2. A função de evitar obstáculos é adversamente afetada devido à obstrução do corpo da aeronave quando a inclinação da aeronave exceder 15°. Diminua a velocidade e voe com cuidado.
3. O módulo de radar permite que a aeronave mantenha uma distância fixa da vegetação apenas dentro de sua faixa de funcionamento. Observe a distância da aeronave da vegetação em todos os momentos.
4. Ao detectar objetos que tenham inclinação vertical superior a 5°, como uma linha inclinada ou poste inclinado, a sensibilidade do módulo de radar pode ser reduzida. Voe com cuidado.
5. Opere com mais cuidado ao voar sobre superfícies inclinadas. Inclinação máxima recomendada em diferentes velocidades da aeronave: 10° a 1 m/s, 6° a 3 m/s e 3° a 5 m/s.
6. Pouse a aeronave em terreno plano para evitar danos ao módulo do radar causados por objetos elevados.

Radar superior

1. NÃO bloqueie a posição no revestimento da aeronave embaixo do qual o radar superior está localizado. Caso contrário, o desvio de obstáculos superior pode ser afetado.
2. Certifique-se de que a posição no revestimento da aeronave, embaixo do qual o radar superior está localizado, não esteja rachada, lascada ou deformada. Caso contrário, o desvio de obstáculos superior pode ser afetado.

Firmware

⚠️ ADVERTÊNCIA

Para evitar mau funcionamento do componente, ferimentos graves e danos à propriedade, siga a seguinte regra:

1. Mantenha pessoas e animais a uma distância segura durante qualquer procedimento de atualização de firmware, calibração do sistema e configuração de parâmetro.

ATENÇÃO

1. Por segurança, sempre atualize o firmware para a versão mais recente.
2. Use apenas firmware oficial da DJI.
3. Certifique-se de atualizar o firmware do controle remoto para a versão mais recente depois de atualizar o firmware da aeronave.
4. O controle remoto pode perder o link com a aeronave após a atualização. Reconecte o controle remoto e a aeronave novamente.
5. Certifique-se de verificar todas as conexões e remover as hélices dos motores antes de executar a atualização do firmware.

Aplicativo DJI Agrad

ATENÇÃO

1. Certifique-se de carregar totalmente as baterias do controle remoto antes de iniciar o aplicativo DJI Agrad.
2. Leia cuidadosamente todas as dicas de segurança, mensagens de advertência e isenções de responsabilidade. Esteja familiarizado com as regulamentações da sua área. Você é exclusivamente responsável por estar ciente de todas as regulamentações relevantes e por voar de acordo com elas. Preste muita atenção nas seguintes situações:
 - a. Usando os recursos de decolagem e aterrissagem automáticas.
 - b. Configurando a altitude além do limite padrão.
3. Pouse a aeronave imediatamente se um aviso for exibido no aplicativo.
4. Antes de cada voo, examine e verifique todas as mensagens de advertência na lista de status da aeronave exibida no aplicativo.
5. Armazene em cache os dados do mapa da área em que você pretende voar com a aeronave, conectando à internet antes de cada voo.

Dongle 4G

ATENÇÃO

1. Um dongle e um cartão SIM são necessários para alguns recursos do produto no aplicativo DJI Agrad e os usuários arcarão com o custo destes.
2. Certifique-se de usar um dongle aprovado pela DJI.
3. A DJI não se responsabiliza por acidentes causados pela perda de dados do usuário ou mau funcionamento da aeronave originados de dongles e cartões SIM de terceiros.
4. Use apenas cartões SIM compatíveis com o dongle.
5. Certifique-se de colocar o dongle e o cartão SIM corretamente. Caso contrário, as funções relacionadas não estarão disponíveis.

Cuidados com o produto

Armazenamento e transporte

⚠️ ADVERTÊNCIA

Para evitar mau funcionamento do componente, ferimentos graves e danos à propriedade, siga as seguintes regras:

1. Peças pequenas, como cabos e braçadeiras, são perigosas se engolidas. Mantenha as peças fora do alcance de crianças e animais.
2. Certifique-se de remover a bateria da aeronave durante o transporte.

3. Para evitar danos ao trem de pouso, remova ou esvazie o tanque de pulverização durante o transporte ou quando não estiver em uso. Guarde a aeronave em local fresco e seco.

Manutenção

⚠️ ADVERTÊNCIA

Para evitar mau funcionamento do componente, ferimentos graves e danos à propriedade, siga as seguintes regras:

1. Limpe todas as partes da aeronave ao final de cada dia de pulverização, após a aeronave retornar à temperatura normal. Lave a aeronave imediatamente após a conclusão das operações.
 - a. Encha o tanque de pulverização com água limpa ou água com sabão e pulverize a água pelos bicos até o tanque esvaziar. Repita a etapa mais duas vezes.
 - b. Desconecte o tanque de pulverização e o conector do tanque de pulverização para limpá-los (apenas no T10). Remova o filtro do tanque de pulverização, os filtros dos bicos e os bicos para limpá-los e eliminar qualquer bloqueio. Em seguida, mergulhe-os em água limpa por 12 horas.
 - c. Certifique-se de que a estrutura da aeronave esteja completamente conectada para que possa ser lavada diretamente com água. Recomenda-se o uso de uma lavadora de pulverização cheia de água para limpar o corpo da aeronave e de uma escova macia ou pano úmido antes da remoção de resíduos de água com um pano seco.
 - d. Se houver poeira ou pesticida nos motores, hélices ou dissipadores de calor, limpe-os com um pano úmido antes de limpar as manchas de água restantes com um pano seco.
 - e. Armazene a aeronave limpa em ambiente seco.
2. Limpe a superfície e a tela do controle remoto com um pano úmido limpo que tenha sido torcido com água diariamente após as operações.
3. Inspeção a aeronave a cada 100 voos ou após voar por mais de 20 horas:
 - a. Verifique e substitua hélices gastas.
 - b. Verifique se há hélices soltas. Substitua as hélices e as arruelas da hélice, se necessário.
 - c. Verifique se há peças de plástico ou borracha envelhecidas.
 - d. Verifique se há pouca atomização dos bicos. Limpe bem os bicos ou substitua-os.
 - e. Substitua os filtros do bico e o filtro do tanque de pulverização.
4. NÃO tente consertar a aeronave. Entre em contato com o Suporte DJI ou com um revendedor autorizado DJI se alguma peça estiver danificada.

ATENÇÃO

1. Mantenha a tampa protetora do módulo de radar limpa. Limpe a superfície com um pano úmido e macio e seque ao ar antes de usar novamente.
2. Mantenha a câmera FPV limpa. Remova primeiro quaisquer pedaços maiores de cascalho ou areia e, em seguida, limpe a lente com um pano limpo e macio para remover poeira ou outra sujeira.
3. Em caso de acidente ou colisão, certifique-se de inspecionar minuciosamente todas as partes da aeronave e fazer todos os reparos e substituições necessários antes do próximo voo. Se tiver algum problema ou dúvida, entre em contato com o Suporte DJI ou um revendedor autorizado DJI.

Requisitos de condições de voo

Condições climáticas e ambiente ao redor

⚠️ ADVERTÊNCIA

A aeronave foi projetada para operar em condições climáticas boas a moderadas. Para evitar colisões, ferimentos graves, danos materiais ou riscos à saúde, observe as seguintes regras:

1. NÃO utilize a aeronave em condições climáticas adversas, como ventos superiores a 28 km/h, chuva forte (taxa de precipitação superior a 25 mm em 12 horas), neve ou neblina.
2. Para evitar riscos à saúde de pessoas próximas e para garantir eficácia na pulverização, utilize a aeronave para pulverizar em velocidades de vento abaixo de 18 km/h.

- Mantenha a aeronave a, no mínimo, 10 metros de distância de obstáculos, pessoas, animais, edifícios, infraestrutura pública e corpos d'água durante o voo. Conforme a altitude da aeronave aumentar, mantenha uma distância ainda maior entre os objetos ou obstáculos acima mencionados.
- NÃO voe além de 4,5 km (14.763 pés) acima do nível do mar.
- O aplicativo DJI Agram recomendará, de forma inteligente, o peso de carga do tanque de acordo com o status atual e os arredores da aeronave. Ao adicionar material ao tanque, o peso máximo não deve exceder o valor recomendado. Caso contrário, a segurança do voo pode ser afetada.
- NÃO opere nenhuma parte da aeronave em ambientes fechados.

ATENÇÃO

- O desempenho da aeronave e da bateria está sujeito a fatores ambientais, como densidade do ar e temperatura.
 - Tenha muito cuidado ao voar a pelo menos 2 km (6.560 pés) acima do nível do mar, pois isso pode reduzir o desempenho da bateria e da aeronave.
- NÃO use a aeronave perto de acidentes, incêndios, explosões, inundações, tsunamis, avalanches, deslizamentos, terremotos, poeira ou tempestades de areia.
- Em ambientes de baixa temperatura (entre 0° e 10 °C), certifique-se de que a bateria de voo esteja totalmente carregada e reduza a carga da aeronave. Caso contrário, isso afetará a segurança do voo ou haverá limite de decolagem.

Interferência com o controlador de voo e comunicações

ATENÇÃO

- Voar em espaços abertos. Edifícios altos, estruturas de aço, montanhas, rochas ou florestas podem afetar a precisão da bússola embarcada e bloquear tanto o sinal GNSS quanto o sinal do controle remoto.
- Evite usar dispositivos sem fio que usem as mesmas bandas de frequência que o controle remoto.
- A sensibilidade do módulo de radar pode ser reduzida ao operar várias aeronaves a uma curta distância. Opere com cuidado.
- Ao utilizar com várias aeronaves, incluindo a T30, T10 e outras aeronaves, certifique-se de que a distância entre cada aeronave seja superior a 10 m para evitar interferências.
- Para evitar a interferência entre as operações, não opere mais de três grupos em um raio de 50 m ao usar a função de controle de várias aeronaves.
- Fique atento ao voar próximo a áreas com interferência magnética ou de rádio. Isso inclui, mas não está limitado a linhas de alta tensão, estações de transmissão de energia em grande escala ou estações móveis de rádio e torres de transmissão celulares. Deixar de fazer isso pode comprometer a qualidade da transmissão deste produto ou causar erros de transmissão que podem afetar a orientação de voo e a precisão da localização. A aeronave pode se comportar de forma anormal ou perder controle em áreas com interferência excessiva.
- Se o dongle RTK for usado para planejamento de campo, o módulo deve ser desconectado do controle remoto após o planejamento ser concluído. Caso contrário, isso afetará o desempenho de comunicação do controle remoto.

Operação da aeronave de forma responsável

⚠️ ADVERTÊNCIA

Para evitar mau funcionamento do componente, ferimentos graves e danos à propriedade, siga as seguintes regras:

- Certifique-se de que você não tenha bebido, tomado medicamentos, esteja sob a influência de anestesia ou sofrendo de vertigem, fadiga, náusea ou qualquer outra condição física ou mental que possa prejudicar sua capacidade de operar a aeronave com segurança.
- NÃO desligue os motores durante o voo, a menos que seja em situações de emergência, quando isso reduzirá o risco de danos ou lesões.

- Ao aterrissar, desligue a aeronave e depois desligue o controle remoto.
- NÃO derrube, arremesse, incendeie e nem projete carga perigosa em ou sobre edifícios, pessoas ou animais, já que isso pode causar ferimentos ou danos ao patrimônio.

ATENÇÃO

- Certifique-se de ter treinamento suficiente e planos de contingência para situações de emergência ou em casos de acidente.
- Certifique-se de ter um plano de voo e NÃO voe a aeronave de forma imprudente.
- NÃO use este produto para fins ilegais ou impróprios, tais como espionagem, operações militares ou investigações não autorizadas.
- NÃO use este produto para difamar, assediar, ameaçar, perseguir ou violar os direitos legais de outrem, como o direito de privacidade e de publicidade.
- NÃO invada propriedades privadas de outras pessoas.

Modos de voo, modos de operação, funções e advertências

Modos de voo

ATENÇÃO

Modo P (Posicionamento): A aeronave utiliza GNSS ou o módulo RTK para posicionamento. Quando o sinal GNSS for forte, a aeronave usará GNSS para posicionamento. Quando o módulo RTK estiver habilitado e a transmissão de dados diferencial for forte, ele fornecerá posicionamento em nível de centímetro. Ele reverterá para o modo A quando o sinal GNSS estiver fraco ou quando a bússola sofrer interferência.

A aeronave opera no modo P por padrão.

Modo A (Altitude): O GNSS não é utilizado para posicionamento e a aeronave só pode manter a altitude usando o barômetro. A velocidade de voo no modo A depende dos arredores, como velocidade do vento.

No modo A, a aeronave não consegue se posicionar e será facilmente afetada pelos arredores, o que pode resultar em inclinação horizontal. Use o controle remoto para posicionar a aeronave.

Manobrar a aeronave no modo A pode ser difícil. Evite voar em espaços fechados ou em áreas nas quais o sinal GNSS seja fraco. Caso contrário, a aeronave entrará no modo A, levando a possíveis riscos de voo. Pouse a aeronave em um local seguro o mais rápido possível.

Modos de operação

⚠️ ADVERTÊNCIA

Para evitar mau funcionamento do componente, ferimentos graves e danos à propriedade, siga as seguintes regras:

- Certifique-se de compreender totalmente o comportamento da aeronave em cada modo de operação antes de utilizá-la.
- Fique longe de obstáculos próximos à rota de operação. Mantenha a linha de visão da aeronave e observe seu status o tempo todo.
- Só opere no modo operacional de rota ou rota A-B ao receber sinal GNSS forte.

RTH à prova de falhas e retorno à base (RTH)

ATENÇÃO

- O RTH não funcionará se o sinal GNSS estiver fraco ou não houver sinal.
- Edifícios altos podem afetar negativamente o RTH. Portanto, é importante estabelecer uma altitude à prova de falhas adequada antes de cada voo. Ajuste a localização, a altitude e a velocidade da aeronave ao retornar à base, a fim de evitar obstáculos quando houver sinal do controle remoto forte.

3. Certifique-se de voar a aeronave dentro do alcance de transmissão do controle remoto.
4. Use as funções de RTH somente em casos de emergência, pois elas podem ser afetadas pelo clima, pelo ambiente ou por campos eletromagnéticos próximos.
5. Se houver um obstáculo em até 20 m da aeronave, a aeronave vai desacelerar, parar e fazer voo estacionário. A aeronave sairá do procedimento de RTH e aguardará comandos adicionais.
6. Se o RTH for acionado durante as operações de rota, a aeronave pode planejar uma rota de voo para o RTH contornar os obstáculos adicionados ao planejar um campo.

Bateria fraca

ATENÇÃO

1. Quando a advertência de nível da bateria crítico for ativada e a aeronave estiver descendo automaticamente, você poderá empurrar o acelerador para cima para manter a altitude da aeronave e navegar com ela até um local mais adequado para pouso.
2. Quando advertências da bateria forem acionadas, traga a aeronave imediatamente de volta ao Ponto de origem ou aterrisse, a fim de evitar perda de potência durante o voo e causar danos à aeronave, à propriedade, a animais e a pessoas.

Tanque vazio

ATENÇÃO

1. Um alerta aparecerá no aplicativo DJI Agras e a aeronave fará voo estacionário quando o tanque de pulverização estiver vazio. Nos modos de Rota, Rota A-B e Operação Manual Plus, a aeronave também poderá ser configurada para subir ou retorno à base (RTH) em vez de fazer voo estacionário. Consulte o Manual do Usuário para mais informações sobre os modos de operação.

Conformidade com normas e limites de voo

Regulamentações

⚠️ ADVERTÊNCIA

- Para evitar comportamento em desacordo com as regulamentações, ferimentos graves e danos à propriedade, siga as seguintes regras:
1. NÃO modifique a aeronave nem a use para outros fins que não sejam agrícolas.
 2. NÃO opere próximo a aeronaves tripuladas, independentemente da altitude. Aterrisse imediatamente, se necessário.
 3. NÃO voe a aeronave em áreas onde grandes eventos estejam sendo realizados, incluindo eventos esportivos e shows, dentre outros.
 4. NÃO pilote a aeronave em áreas proibidas pelas leis locais.
 5. Fique afastado e NÃO interfira nas operações de aeronaves tripuladas. Sempre esteja ciente de outras aeronaves e obstáculos e evite-os.

CAUTION

Para evitar comportamento em desacordo com as regulamentações, ferimentos graves e danos à propriedade, siga as seguintes regras:

1. NÃO voe a aeronave perto ou dentro de zonas restritas especificadas por leis e regulamentações locais. As zonas restritas incluem, mas não estão limitadas a aeroportos, fronteiras entre dois países ou regiões soberanas, grandes cidades e áreas onde eventos ou atividades temporárias estejam ocorrendo. Observe que as zonas restritas são atualizadas continuamente.
2. NÃO pilote a aeronave acima da altitude autorizada.
3. Certifique-se de manter sua aeronave dentro da VLOS e use um observador para ajudá-lo, se necessário.
4. NÃO utilize a aeronave para transportar cargas ilegais ou perigosas.

ATENÇÃO

1. Antes do voo, certifique-se de compreender a natureza da sua operação de voo (como recreação, uso público ou uso comercial) e obtenha a respectiva aprovação e liberação dos órgãos governamentais pertinentes. Consulte seus reguladores locais para obter definições e requisitos específicos e completos. Visite <http://www.dji.com> para obter as instruções e advertências mais atualizadas e <https://www.dji.com/flysafe> para obter mais informações sobre segurança e conformidade de voo. Observe que aeronaves com controle remoto podem ser proibidas de realizar atividades comerciais em determinados países e regiões. Verifique e siga todas as leis e determinações locais aplicáveis antes de voar, pois essas regras podem ser diferentes do que está declarado aqui.
2. NÃO voe no entorno de infraestruturas ou propriedades sensíveis, como estações de energia, estações de tratamento de água, centros de detenção, vias de tráfego intenso, instalações governamentais e zonas militares.

Limites de voo

ATENÇÃO

A DJI enfatiza a segurança durante o voo e, portanto, desenvolveu vários meios de auxílio ao usuário para cumprir as regras e regulamentações locais durante o voo. Recomendamos que você atualize o firmware para a versão mais recente, a fim de garantir que os recursos a seguir estejam totalmente atualizados:

Zonas GEO

1. Todas as Zonas GEO estão listadas no site oficial da DJI em <http://www.dji.com/flysafe>. As Zonas GEO são divididas em diferentes categorias e incluem, dentre outras, locais como aeroportos, campos de voo onde aeronaves tripuladas operam em baixas altitudes, fronteiras entre países ou regiões soberanas, locais sensíveis, como usinas de energia, e áreas que estejam sediando grandes eventos.
2. As restrições de voo variam de acordo com o local. Dependendo das restrições em uma determinada zona, advertências podem aparecer no aplicativo DJI Agras e a decolagem pode ser proibida, a altitude de voo pode ser limitada ou a aeronave pode agir de forma automática, como por exemplo, pousar automaticamente.
3. Funções relacionadas a ações de voo serão afetadas até certo ponto, quando a aeronave estiver próxima ou dentro de uma Zona GEO. Quando perto ou dentro de uma zona GEO, a aeronave pode desacelerar, pode não ser possível criar uma tarefa de voo ou interrupção de uma tarefa de voo em andamento. Perceba que os efeitos não se limitam apenas aos itens acima.

Limite de altitude

1. Voie em altitudes não superiores a 100 m (328 pés) acima do nível do solo e fique longe de quaisquer obstáculos ao redor.

Limite de distância

1. A distância máxima de voo é 1 km por padrão. Observe que o nível da bateria pode não ser suficiente para a aeronave retornar ao Ponto de origem se a aeronave estiver muito longe. Certifique-se de voar com cuidado.

Controles de exportação

Cumprimento dos regimes de controle de exportação vigentes

Você está ciente de que a exportação, reexportação e transferência dos Produtos estão sujeitas à lei de controle de exportação chinesa e outras leis e sanções de controle de exportação aplicáveis (doravante denominadas coletivamente como "Leis de Controle de Exportação"). Antes da sua utilização, venda, transferência, locação ou outros comportamentos referentes aos produtos, a menos que permitidos pelas Leis de controle de exportação ou mediante licença emitida por autoridades competentes, verifique e garanta, particularmente, através de medidas adequadas, que:

1. Não haverá violação de um embargo imposto pelas Leis de controle de exportação;

2. Os produtos não serão fornecidos às entidades, pessoas e organizações incluídas em todas as listas aplicáveis de partes sob sanções;
3. Os produtos não são destinados ao uso em conexão com armamentos, armas nucleares, químicas ou biológicas, ou aplicações de tecnologia de mísseis.

Conformidade com as normas de exportação, Isenção de Responsabilidade e Indenização

Você reconhece que é sua responsabilidade estar em conformidade com as leis de controle de exportação chinesas e com quaisquer outras leis de controle de exportação vigentes. Você será unicamente sujeito à responsabilidade jurídica se o uso, venda, transferência, locação ou outros comportamentos relacionados com os produtos não estiverem em conformidade com as leis de controle de exportação vigentes. A DJI, em nenhuma circunstância, será responsável pela sua violação de quaisquer leis de controle de exportação vigentes. Além disso, você deverá indenizar, defender e isentar a DJI, seus afiliados, diretores, executivos, funcionários, agentes e representantes de e contra todas e quaisquer reivindicações, exigências, processos, causas de ações legais, despesas (incluindo honorários advocatícios razoáveis), danos, perdas ou responsabilidades de qualquer natureza, resultantes de, ou alegadamente resultantes de, ou relacionados a, sua incapacidade de cumprir as leis de controle de exportação vigentes.

PT-BR

Este conteúdo está sujeito a alterações sem aviso prévio.

Baixe a versão mais recente disponível em
<http://www.dji.com/t30>



AGRAS e  são marcas comerciais da DJI.
Copyright © 2021 DJI Todos os direitos reservados.

Compliance Information

FCC Compliance Notice

This device complies with Part 15 of the FCC Rules. Operation is subject to the following two conditions: (1) This device may not cause harmful interference, and (2) This device must accept any interference received, including interference that may cause undesired operation. Any changes or modifications not expressly approved by the party responsible for compliance could void the user's authority to operate the equipment.

This equipment has been tested and found to comply with the limits for a Class B digital device, pursuant to part 15 of the FCC Rules. These limits are designed to provide reasonable protection against harmful interference in a residential installation. This equipment generates, uses and can radiate radio frequency energy and, if not installed and used in accordance with the instructions, may cause harmful interference to radio communications. However, there is no guarantee that interference will not occur in a particular installation. If this equipment does cause harmful interference to radio or television reception, which can be determined by turning the equipment off and on, the user is encouraged to try to correct the interference by one or more of the following measures:

- Reorient or relocate the receiving antenna.
- Increase the separation between the equipment and receiver.
- Connect the equipment into an outlet on a circuit different from that to which the receiver is connected.
- Consult the dealer or an experienced radio/TV technician for help.

RF Exposure Information

Aircraft

The aircraft complies with FCC radiation exposure limits set forth for an uncontrolled environment. In order to avoid the possibility of exceeding the FCC radio frequency exposure limits, human proximity to the antenna shall not be less than 20cm during normal operation. This transmitter must not be co-located or operating in conjunction with any other antenna or transmitter.

Remote Controller

This equipment complies with FCC radiation exposure limits set forth for an uncontrolled environment. End user must follow the specific operating instructions for satisfying RF exposure compliance. This transmitter must not be co-located or operating in conjunction with any other antenna or transmitter.

The portable device is designed to meet the requirements for exposure to radio waves established by the Federal Communications Commission (USA). These requirements set a SAR limit of 1.6 W/kg averaged over one gram of tissue. The highest SAR value reported under this standard during product certification for use when properly worn on the body.

ISED Compliance Notice

This device contains licence-exempt transmitter(s)/receiver(s) that comply with Innovation, Science and Economic Development Canada's licence-exempt RSS(s). Operation is subject to the following two conditions: (1) This device may not cause interference; (2) This device must accept any interference, including interference that may cause undesired operation of the device. L'émetteur/récepteur exempt de licence contenu dans le présent appareil est conforme aux CNR d'Innovation, Sciences et Développement économique Canada applicables aux appareils radio exempts de licence. L'exploitation est autorisée aux deux conditions suivantes: (1) L'appareil ne doit pas produire de brouillage; (2) l'appareil doit accepter tout brouillage radioélectrique subi, même si le brouillage est susceptible d'en compromettre le fonctionnement.

Aircraft

This equipment complies with RSS-102 radiation exposure limits set forth for an uncontrolled environment. This equipment should be installed and operated with minimum distance 20cm between the radiator and your body. This transmitter must not be co-located or operating in conjunction with any other antenna or transmitter.

Cet équipement est conforme aux limites d'exposition aux radiations CNR-102 établies pour un environnement non contrôlé. Cet équipement doit être installé et utilisé avec une distance minimale de 20 cm entre le radiateur et votre corps.

Remote Controller

This equipment complies with ISED radiation exposure limits set forth for an uncontrolled environment. End user must follow the specific operating instructions for satisfying RF exposure compliance. This transmitter must not be co-located or operating in conjunction with any other antenna or transmitter. The portable device is designed to meet the requirements for exposure to radio waves established by the ISED.

These requirements set a SAR limit of 1.6 W/kg averaged over one gram of tissue. The highest SAR value noted under this standard during product certification for use when properly worn on the body.

Cet équipement est conforme aux limites d'exposition aux rayonnements ISED établies pour un environnement non contrôlé. L'utilisateur final doit suivre les instructions spécifiques pour satisfaire les normes. Cet émetteur ne doit pas être co-implanté ou fonctionner en conjonction avec toute autre antenne ou transmetteur. Le dispositif portatif est conçu pour répondre aux exigences d'exposition aux ondes radio établie par le développement énergétique DRAPEL.

Ces exigences un SAR limite de 1,6 W/kg en moyenne pour un gramme de tissu. La valeur SAR la plus élevée signalée en vertu de cette norme lors de la certification de produit à utiliser lorsqu'il est correctement porté sur le corps.



EU Compliance Statement: SZ DJI TECHNOLOGY CO., LTD. hereby declares that this device is in compliance with the essential requirements and other relevant provisions of the Directive 2014/53/EU.

A copy of the EU Declaration of Conformity is available online at www.dji.com/euro-compliance
EU contact address: DJI GmbH, Industriestrasse 12, 97618, Niederlauer, Germany

GB Compliance Statement: SZ DJI TECHNOLOGY CO., LTD. hereby declares that this device is in compliance with the essential requirements and other relevant provisions of Radio Equipment Regulations 2017.

A copy of the GB Declaration of Conformity is available online at www.dji.com/euro-compliance

Declaración de cumplimiento UE: SZ DJI TECHNOLOGY CO., LTD. por la presente declara que este dispositivo cumple los requisitos básicos y el resto de provisiones relevantes de la Directiva 2014/53/EU.

Hay disponible online una copia de la Declaración de conformidad UE en www.dji.com/euro-compliance

Dirección de contacto de la UE: DJI GmbH, Industriestrasse 12, 97618, Niederlauer, Germany

EU-vertikaling van overeenstemming: SZ DJI TECHNOLOGY CO., LTD. verklaart hierbij dat dit apparaat voldoet aan de essentiële vereisten en andere relevante bepalingen van Richtlijn 2014/53/EU.

De EU-vertikaling van overeenstemming is online beschikbaar op www.dji.com/euro-compliance
Contactadres EU: DJI GmbH, Industriestrasse 12, 97618, Niederlauer, Germany

Declaração de conformidade da UE: A SZ DJI TECHNOLOGY CO., LTD. declara, através deste documento, que este dispositivo está em conformidade com os requisitos essenciais e outras disposições relevantes da Diretiva 2014/53/EU.

Existe uma cópia da Declaração de Conformidade da UE disponível online em www.dji.com/euro-compliance

Endereço de contacto na UE: DJI GmbH, Industriestrasse 12, 97618, Niederlauer, Germany
Dichiarazione di conformità UE: SZ DJI TECHNOLOGY CO., LTD. dichiara che il presente dispositivo è conforme ai requisiti essenziali e alle altre disposizioni rilevanti della direttiva 2014/53/EU.

Una copia della dichiarazione di conformità UE è disponibile online all'indirizzo Web www.dji.com/euro-compliance

Indirizzo di contatto UE: DJI GmbH, Industriestrasse 12, 97618, Niederlauer, Germany

Déclaration de conformité UE: Par la présente, SZ DJI TECHNOLOGY CO., LTD déclare que cet appareil est conforme aux principales exigences et autres clauses pertinentes de la directive européenne 2014/53/EU.

Une copie de la déclaration de conformité UE est disponible sur le site www.dji.com/euro-compliance

Adresse de contact pour l'UE: DJI GmbH, Industriestrasse 12, 97618, Niederlauer, Germany

PRÉCAUTIONS D'USAGE DE L'APPAREIL

N'utilisez pas l'appareil dans un hôpital, un avion ou un équipement automobile en raison des radiofréquences qui peuvent produire des interférences

- Maintenez une distance minimale de 15 cm entre votre appareil et un stimulateur cardiaque pour éviter toute interférence

Éviter les équipements radiométriques du ventre des femmes enceintes.

Éviter les équipements radiométriques du bas-ventre des adolescents.

Le débit d'absorption spécifique (DAS) local quantifie l'exposition de l'utilisateur aux ondes électromagnétiques de l'équipement concerné. Le DAS maximal autorisé est de 2 W/kg pour la tête et le tronc et de 4 W/kg pour les membres.

La ou les valeurs du débit d'absorption spécifique des RM500-ENT:

DAS tronc: 0,085 W/kg

DAS membres: 0,085 W/kg

EU-Compliance: Hermit erklaart SZ DJI TECHNOLOGY CO., LTD., dass dieses Gerät den wesentlichen Anforderungen und anderen einschlägigen Bestimmungen der EU-Richtlinie 2014/53/EU entspricht.

Eine Kopie der EU-Konformitätserklärung finden Sie online auf www.dji.com/euro-compliance
Kontaktadresse innerhalb der EU: DJI GmbH, Industriestrasse 12, 97618, Niederlauer, Germany

Декларация за съответствие на ЕС: SZ DJI TECHNOLOGY CO., LTD. декларира, че това устройство отговаря на основните изисквания и другите приложими разпоредби на Директива 2014/53/ЕС.

Копие от Декларацията за съответствие на ЕС ще намерите онлайн на адрес www.dji.com/euro-compliance

Адрес за контакт за ЕС: DJI GmbH, Industriestrasse 12, 97618, Niederlauer, Germany

Prohlášení o shodě pro EU: Společnost SZ DJI TECHNOLOGY CO., LTD. tímto prohlašuje, že toto zařízení vyhovuje základním požadavkům a dalším příslušným norem ustanoveným směrnicí 2014/53/EU.

Kopie prohlášení o shodě pro EU je k dispozici online na webu www.dji.com/euro-compliance
Kontaktní adresa v EU: DJI GmbH, Industriestrasse 12, 97618, Niederlauer, Německo

EU-overensstemmelseserklæring: SZ DJI TECHNOLOGY CO., LTD. erklærer hermed, at denne enhed er i overensstemmelse med de væsentlige krav og andre relevante bestemmelser i direktiv 2014/53/EU.

Der er en kopi af EU-overensstemmelseserklæringen tilgængelig online på www.dji.com/euro-compliance

EU-kontaktadresse: DJI GmbH, Industriestrasse 12, 97618, Niederlauer, Tyskland

Δήλωση Συμμόρφωσης ΕΕ: Η SZ DJI TECHNOLOGY CO., LTD., δηλώνει ότι η συσκευή αυτή συμμορφώνεται με τις βασικές απαιτήσεις και άλλες σχετικές διατάξεις της Οδηγίας 2014/53/ΕΕ.

Αντίγραφο της Δήλωσης Συμμόρφωσης ΕΕ διατίθεται ηλεκτρονικά στη διεύθυνση www.dji.com/euro-compliance

Διεύθυνση επικοινωνίας στην ΕΕ: DJI GmbH, Industriestrasse 12, 97618, Niederlauer, Γερμανία

EU vastustuskindlus: Käesolevaga teatab SZ DJI TECHNOLOGY CO., LTD., et see seade on kooskõlas direktiivi 2014/53/EU oluliste nõuetega ja muude asjakohaste säätetega.

EU vastustusdeklaratsiooni koopia on kättesaadav veebis aadressil www.dji.com/euro-compliance

Kontaktiaadress ELis: DJI GmbH, Industriestrasse 12, 97618, Niederlauer, Saksamaa

Pranešimas dėl atitikties ES reikalavimams: Bendrovė „SZ DJI TECHNOLOGY CO., LTD.“ tvirtina, kad šis prietaisas atitinka pagrindinius 2014/53/ES direktyvos reikalavimus ir kitas susijusias nuostatas.

ES atitikties deklaracijos kopiją galite rasti adresu www.dji.com/euro-compliance

ES kontaktinis adresas: „DJI GmbH“, Industriestrasse 12, 97618, Niederlauer, Germany (Vokietija)

ES atbilstības paziņojums: SZ DJI TECHNOLOGY CO., LTD. ar šo apliecin, ka šī ierīce atbilst direktīvas 2014/53/ES pamatprasībām un pārējām būtiskām nosacījumiem.

ES atbilstības deklarācijas kopija pieejama tīmeklī vietnē www.dji.com/euro-compliance

ES kontaktaadrese: DJI GmbH, Industriestrasse 12, 97618, Niederlauer, Vācija

EU vaatimustenmukaisuusvakuutus: SZ DJI TECHNOLOGY CO., LTD. ilmoittaa täten, että tämä laite on direktiivin 2014/53/EU olennaisista vaatimuksista ja sen muista asiasuhteellisesti merkittävistä säännöksistä.

Kopio EU:n vaatimustenmukaisuusvakuutuksesta on saatavana verkossa osoitteessa www.dji.com/euro-compliance

Yhteystiedot EU:ssa: DJI GmbH, Industriestrasse 12, 97618, Niederlauer, Germany

RĀĪTES COMPLIANCE AN AE: Dearhlonnais SZ DJI TECHNOLOGY CO., LTD. leis seo go bhfuil an gléas seo de réir na gceanglas ríachtach agus na bhforálacha ábhartha eile sa Treoir 2014/53/AE.

Tá cóip de Dearbhion Comhréachtacha an AE ar fáil ar líne ag www.dji.com/euro-compliance
Seoladh teagmhála san AE: DJI GmbH, Industriestrasse 12, 97618, Niederlauer, Germany

Dikjarazjoni ta' Konformità ta' UE: SZ DJI TECHNOLOGY CO., LTD. hawnhekk tidkklaria li dan l-apparat hua konformi mar-ekwiviti essenzjali u ma' dispozizzjonijiet rilevanti oħra ta' Direktiva 2014/53/EU.

Kopja tad-Dikjarazzjoni ta' Konformità tal-UE hija disponibbli online fis-sit www.dji.com/euro-compliance

Indirizz ta' kuntatt tal-UE: DJI GmbH, Industriestrasse 12, 97618, Niederlauer, i-Germanja

Declaratia UE de conformitate: Prin prezenta, SZ DJI TECHNOLOGY CO., LTD. declara faptul ca acest dispozitiv este conform cu cerintele esențiale și ocolăște prevederile relevante ale Directivai 2014/53/UE.

Un exemplar al Declarației UE de conformitate este disponibil online, la adresa www.dji.com/euro-compliance

Adresa de contact pentru UE: DJI GmbH, Industriestrasse 12, 97618, Niederlauer, Germania

Izjava EU o skladnosti: Družba SZ DJI TECHNOLOGY CO., LTD. izjavlja, da ta naprava ustreza osnovnim zahtevam in drugim ustreznim določbam Direktive 2014/53/EU.

Kopija izjave EU o skladnosti je na voljo na spletni na www.dji.com/euro-compliance

Kontaktiraj naslov EU: DJI GmbH, Industriestrasse 12, 97618, Niederlauer, Nemčija

EU izjava o skladnosti: Turcia SZ DJI TECHNOLOGY CO., LTD. izjavuje, da ta naprava ustreza osnovnim zahtevam in ostalim relevantnim oколodiravni Direktivi 2014/53/EU.

Kopija EU izjave o skladnosti je dostupna na mrežni strani www.dji.com/euro-compliance

Adresa EU kontakta: DJI GmbH, Industriestrasse 12, 97618, Niederlauer, Njemačka

Vyhášení o zhode EU: SZ DJI TECHNOLOGY CO., LTD. týmto vyhlasuje, ze toto zarizenie je v zhode so zakladnymi požiadavkami a ďalšimi relevantnymi ustanoveniami smernice 2014/53/EU.

Kópia tohto Vyhášení o zhode EU je k dispozícii online na www.dji.com/euro-compliance

Kontaktiraj adresa v EU: DJI GmbH, Industriestrasse 12, 97618, Niederlauer, Nemecko

Deklaracija zgodnosti UE: Firma SZ DJI TECHNOLOGY CO., LTD. ninjeszym oświadczam, że przedmiotowe urządzenie jest zgodne z zasadniczymi wymogami i innymi stosowanymi postanowieniami dyrektywy UE 2014/53/UE.

Kopja deklaracji zgodności UE można znaleźć w Internecie na stronie www.dji.com/euro-compliance

Adres do kontaktu w UE: DJI GmbH, Industriestrasse 12, 97618, Niederlauer, Niemcy

EU megfelelőeségi nyilatkozat: A SZ DJI TECHNOLOGY CO., LTD. ezúton megfogadja, hogy ez az eszköz megfelel a 2014/53/EU irányelv alapvető követelményeinek és más vonatkozó rendelkezéseinek.

Az EU megfelelőeségi nyilatkozat másolata elérhető a www.dji.com/euro-compliance oldalon

EU kapcsolati cím: DJI GmbH, Industriestrasse 12, 97618, Niederlauer, Németország

EU-försökrän om efterlevnad: SZ DJI TECHNOLOGY CO., LTD. härmmed förklarar att denna enhet uppfyller de väsentliga kraven och andra relevanta bestämmelser i direktivet 2014/53/EU.

En kopia av EU-försökrän om efterlevnad finns att tillgå online på adressen www.dji.com/euro-compliance

Kontaktadress EU: DJI GmbH, Industriestrasse 12, 97618, Niederlauer, Tyskland

Įrįsinėjimo um įtyni bū reglur ESB: SZ DJI TECHNOLOGY CO., LTD. įsira įtyni mę med įrįsį bū þetta tækni íttí mikilvægum kröfum og öðrum viðeigandi ákvæðum tilskipunar 2014/53/EU.

Nalgást má eintak af ESB-samringsmáttirum írįsinjunnar á netinu á www.dji.com/euro-compliance

Heimilisfang ESB-tengiliðar: DJI GmbH, Industriestrasse 12, 97618, Niederlauer, Germany

AU Ungyunluk Beyan: SZ DJI TECHNOLOGY CO., LTD. bu belge ile bu cihazın temel gerekliliklere ve 2014/53/UE sayılı Direktifin diğer ilgili hükümlerine uygun olduğunu beyan eder.

AU Ungyunluk Beyanının bir kopyasını www.dji.com/euro-compliance adresinden çevrim içi olarak ulaşabilirsiniz.

AB için iletişim adresi: DJI GmbH, Industriestrasse 12, 97618, Niederlauer, Almanya

CAUTION: RISK OF EXPLOSION IF BATTERY IS REPLACED BY AN INCORRECT TYPE. DISPOSE OF USED BATTERIES ACCORDING TO THE INSTRUCTIONS



Environmentally friendly disposal

Old electrical appliances must not be disposed of together with the residual waste, but have to be disposed of separately. The disposal at the communal collecting point via private persons is free. The owner of old appliances is responsible to bring the appliances to these collecting points or to similar collection points. With this little personal effort, you contribute to recycle valuable raw materials and the treatment of toxic substances.

Umweltfreundliche Entsorgung

Elektro-Altgeräte dürfen nicht mit gewöhnlichem Abfall entsorgt werden und müssen separat entsorgt werden. Die Entsorgung an kommunalen Sammelstellen ist für Privatpersonen kostenlos. Die Eigentümer der Altgeräte sind für den Transport zu den Sammelstellen verantwortlich. Durch diesen geringen Aufwand können Sie zur Wiederverwertung von wertvollen Rohmaterialien beitragen und dafür sorgen, dass umweltschädliche und giftige Substanzen ordnungsgemäß unschädlich gemacht werden.

Tratamiento de residuos compatibles con el medio ambiente

Os aparatos eléctricos viejos no pueden desecharse junto con los residuos orgánicos, sino que deben ser desechados por separado. Existen puntos limpios donde los ciudadanos pueden dejar estos aparatos gratis. El propietario de los aparatos viejos es responsable de llevarlos a estos puntos limpios o similares puntos de recogida. Con este pequeño esfuerzo estás contribuyendo a reciclar valiosas materias primas y al tratamiento de residuos tóxicos.

Mise au rebut écologique

Les appareils électriques usagés ne doivent pas être éliminés avec les déchets résiduels. Ils doivent être éliminés séparément. La mise au rebut au point de collecte municipal par l'intermédiaire de particuliers est gratuite. Il incombe au propriétaire des appareils usagés de les apporter à ces points de collecte ou à des points de collecte similaires. Avec ce petit effort personnel, vous contribuez au recyclage de matières premières précieuses et au traitement des substances toxiques.

Smaltimento elettrico

I vecchi dispositivi elettrici non devono essere smaltiti insieme ai rifiuti residui, ma devono essere smaltiti separatamente. Lo smaltimento da parte di soggetti privati presso i punti di raccolta pubblici è gratis. È responsabilità del proprietario dei vecchi dispositivi portarli presso tali punti di raccolta o punti di raccolta analoghi. Grazie a questo piccolo impegno personale contribuite a riciclare preziose materie prime e al corretto trattamento di sostanze tossiche.

Millieuriendeljk apparaten

Oude elektrische apparaten mogen niet worden weggegooid samen met het restafval, maar moeten afzonderlijk worden afgevoerd. Afvoeren via het gemeentelijke inzamelpunt is gratis voor particulieren. De eigenaar van oude toestellen is verantwoordelijk voor het inleveren van de apparaten op deze of vergelijkbare inzamelpunten. Met deze kleine persoonlijke inspanning levert u een bijdrage aan de recycling van waardevolle grondstoffen en de verwerking van giftige stoffen.

Eliminacão ecológica

Os aparelhos elétricos antigos não podem ser eliminados juntamente com os materiais residuais. Têm de ser eliminados separadamente. A eliminação no ponto de recolha público através de entidades particulares é gratuita. É da responsabilidade do proprietário de aparelhos antigos levá-los a estes pontos de recolha ou a pontos de recolha semelhantes. Com este pequeno esforço pessoal, contribui para a reciclagem de matérias-primas úteis e para o tratamento de substâncias tóxicas.

Изхваление с оглед опазване на околната среда

Старите електрически уреди не трябва да се изхвалят заедно с битовите отпадъци, а отделно. Изхвалението в общинския пункт за приемане на отпадъци от частни лица е безплатно. Собственикът на старите уреди е отговорен за доставянето на уредите до този или до подобен събирателен пункт. С това малко личен усилие допринасяте за рециклирането на ценни суровини и за обработката на токсични вещества.

Ekologicky šetrná likvidace

Stará elektrická zařízení nesmí být likvidována spolu se zbytkovým odpadem, ale musí být likvidována samostatně. Likvidace na komunálních sbírných místech prostřednictvím soukromých osob je bezplatná. Vlastník starých spotřebičů je zodpovědný za přinesení spotřebičů do této či podobné sbírné místy. S tímto malým úsilím přispíváte k recyklaci hodnotných surovin a zpracování toxických látek.

Miljøvenlig bortskaffelse

Gamle elektriske apparater må ikke bortskaffes sammen med restaffald, men skal bortskaffes separat. Bortskaffelse på et fælles indsamlingstid er gratis for privatpersoner. Ejere af gamle apparater er ansvarlige for at bringe apparater hen til indsamlingstidsteder eller til lignende indsamlingstidsteder. Med denne lille personlige indsats bidrager du til genanvendelse af værdifulde råvarer og behandlingen af giftige stoffer.

Απορρίψη ηλεκτρικών προς το περιβάλλον

Οι παλιές ηλεκτρικές συσκευές δεν πρέπει να απορριπτούν μαζί με το υπολειμματικό απόβλητο, αλλά ξεχωριστά. Η απορρίψη στο δημοτικό σημείο συλλογής μέσω ιδιωτών είναι χωρίς κόστος. Ο κάτοχος παλιών συσκευών είναι υπεύθυνος να τη μεταφέρει στα συσκευαία σε αυτά ή παρόμοια σημεία συλλογής. Μόλις της απαιτήσει, συζητάτε, συλλέγετε στην ανακύκλωση πολύτιμων πρώτων υλών και τη επεξεργασία των τοξικών ουσιών.

Keskönäisellistikk kasusellit kätvaldamine

Vanu elektriseadmeid ei tohi ära visata koos olemajätetega, vaid tule koguda ja kasutusse kõrvaldada eraldi. Kohaliku omavalitsuse elektroonikaromade kogumispunkti on äraandmine erakultuute tasuta. Vana seadme sellistesse või sarnastesse kogumiskohadesse toomistamise eest vastutavalt seadmete omanik. Selle väikesi sikkü panusega aitate kasta väärusliku tootmise ringluste ja murgaste äinete töötlemisele.

Utilizavimas nenekiant tikrai

Senų elektrinių prietaisų negalima išmesti kartu su buitiniomis atliekomis; juos būtina užtikrinti atskirai. Toliau pristatytą užtikvimes per komunaliosios atliekų surinkimo punktus yra nemokamas. Elektrinių prietaisų surinkimo užtikvimes prietaisų savio priduoti į atitinkamus arba analogiškus atliekų surinkimo punktus. Tokiu būdu, įdėjami nedidelį pastangų, prisidote prie vertingų medžiagų surinkimo ir atliekų apsaugojimo nuo toksiškų medžiagų.

Videi draudzīga atkritumu likvidāšana

Vecas elektriskās ierīces nedrīkst likvidēt kopā ar pārējām atkritumiem, bet tās jālikvidē atsevišķi. Privatpersonām atkritumu likvidāšana komunālajā savākšanās punktā ir bez maksas. Veco ierīču paņems un atbildīs par ierīču nogādāšanu šāpus savākšanās punktus vai līdzīgos savākšanās punktus. Ar šim nolikumi personiķam jāpāņem jās veicināt vērtīgu izstrādātāju materiālu un toksiķu vadojumu.

Hävittämisen ympäristöystävällisyys

Vanha sähkölaite ei saa hävittää kaatopaikallisten mukana, vaan ne on hävitettävä erikseen. Kunnalliseen keräyspisteeseen vieminen on yksityishenkilöille ilmaista. Vanhien laitteiden omistaja vastaa laitteiden toimittamisesta yleisiin keräyspisteisiin tai vastaaviin. Täällä vähäisellä henkilökohtaisella vaivalla edistät omalta osaltaan arvokkaiden raaka-ainoiden kierrätystä ja myrkyllisten aineiden käsittelyä.

Dúscairt neamhhiobhlaich don chomhsháil

Níor cheart seangealltáinse leictreacha a dhúscairt ar an ordánall amharach, ach caiteáir a dhéan a chur de lámh aís féin. Tá an dúscairt ag an ordánall bailiúcháin pobail ag daoine príobháideacha saor in aisce. Tá freagracht ar úinéir seangealltáinse na gceistanna a thabhairt chug na hordánall bhailiúcháin sin chug na bailiúcháin den chineál céanna. Na hiarachí bhéag phearsanta mar sin, cuideoin tú le harnábháil luachmhaire a athchúisil agus le substaintí tócsaineacha a chóireáil.

Rimi i jirintepa i-ambent

L-apparat elektriciu cadam ma għandux jirintema minkim ma 'skart servidu, iżta għandu jirintem b'mod separat. Ir-rimi fil-post tal-għajr komunali min persuni privati huwa b'xejn. Is-sit ta' apparat għadu huwa responsibbli b'xaj għajr i-pparat 'idawn il-postiet tal-għajr jew 'fpostiet tal-għajr simili. B'dawn i-historji personali żgħir, int tikkontribwvni għan-riċiklaż ta' materja prima prezzużja u għat-trattament ta' sustanzi tossici.

Eliminarea ecológica

Aparatele electrice vechi nu trebuie aruncate odată cu deșeurile reziduale, ci trebuie eliminate separat. Eliminarea în centrul punctului de colectare local de către persoane fizice este gratuită. Proprietarii de aparate vechi sunt responsabili pentru transportul acestora la respectivul punct de colectare sau la alte puncte de colectare similare. Prin acest efort personal semnificativ, puteți contribui la reciclaarea materialelor prim valoroase și la tratarea substanțelor toxice.

Okoļu prijazo odlaganje

Starh elektrinih aparata ne smete odložiti skupaj z ostanki odpadkov, temveč ločeno. Odlaganje na komunalnem zbirnem mestu je za fizične osebe brezplačno. Lastnik starh naprav je odgovoren, da jih pripelje do teh ali podobnih zbirnih mest. S tako malo osebnega truda prispevate k recikliranju dragocinskih surovin in obdelavi strupenih snovi.

Ekološko odlaganje

Starí elektróni úradnj ne smjú se odlagati zajedno s kućnim otpadom, već ih treba odlagati odvojeno. Odlaganje na komunalnim sbirnim mjestu od strane privatnih osoba je besplatno. Vlasnik starih uređaja dužan je donijeti uređaje do tih sbirnih mjesta ili sličnih sbirnih mjesta. Ovim malim osobnim naporom doprinosite recikliranju vrijednih sirovina i pravilnoj obradi otrovnih tvari.

Ekologisk likvidáció

Staré elektrické spotrebiče sa nesmú likvidovať spolu so zvyškovým odpadom, ale musia sa zlikvidovať samostatne. Likvidácia v komunálnom zbieracom mieste prostredníctvom súkromných osôb je bezplatná. Majiteľ starých spotrebičov je zodpovedný za priniesenie spotrebičov do tejto či podobnej sbirnej miesta. S týmto malým osobným úsilím prispievate k recyklácii cenných surovín a spracovaniu toxických látok.

Utilizacija prijazna dla sredoviska

Nie można usuwać starych urządzeń elektrycznych wraz z pozostałymi odpadami. Wymagają one oddzielnej utylizacji. Utylizacja przez osoby prywatne w punkcie zbiorczym

odpadów komunalnych jest darmowa. Właściciel starych urządzeń jest odpowiedzialny za dostarczenie ich do takich lub podobnych punktów zbiorczych. Zadając sobie tak niewielki trud, przyczyniasz się do recyklingu cennych surowców i odpowiedniego postępowania z substancjami toksycznymi.

Környezetbarát hulladékkezelés

A régi elektromos készülékeket nem szabad a nem szelektív gyűjtő hulladékállványokba dobni, hanem a hulladékkezelésüket előlőnlőten kell végzőzni. A közösetőgi gyűjtőpontonkon a magánüzemelőyek ingyenesen leadhatják ezeket. A régi készülékek tulajdonosai felelősek azért, hogy a készülékeket ezeken a gyűjtőpontonkon, vagy más gyűjtőpontonkon elhozzák. Ezzel a kis személyes erőfeszítéssel Ön is hozzájárul az értékes nyersanyagok újrafelhasználásához és a mérgező anyagok kezeléséhez.

Miljövänlíg hantering av avfall

Gamla elektriska apparater får inte kasseras tillsammans med restavfallet utan måste kasseras separat. Kassering på den lokala insamlingsplatsen för privatpersoner är gratis. Ägaren av gamla apparater ansvarar för att ta apparaterna till dessa insamlingsplatser eller till liknande insamlingsplatser. Med denna lilla personliga insats bidrar du till återvinning av värdefulla råvaror och hantering av giftiga ämnen.

Umhverfisvaen förgun

Ekki má farga gömlum raftækjum með úrgangslöfum, heldur þarf að farga þeim sérstaklega. Förgun á almennum söfnunarsstöfum er ókeypis fyrir einstaklinga. Egarði gamla tækja þer ábyrgð á að koma með tækni á þessa söfnunarsstaði eða á svipaða söfnunarsstað. Með þessu lilla persónulega átaki stuðlar þú að endurvinnslu verðmættra hráefna og meðferð eitrufna.

Çevre dostu bertaraf

Eski elektrik cihazlar, diđer atıklarına biriktire bertaraf edilmemelidir, ayrıca atılmamldır. Özel kişiler aracıllığıyla genel toplama noktasına bertaraf işleme ücretsiz olarak yapılmaktadır. Eski cihazların sahibi, cihazları bu toplama noktalarına veya benzer toplama noktalarına getirmekten sorumludur. Bu az miktardaki kişisel çabayla, değeri ham maddelerin geri dönüştürülmesine ve toksik maddelerin işleme alınmasına katkıda bulunmuş olursunuz.

This device is restricted to indoor use when operating in the 5150-5250MHz frequency range in all EU/EFTA member states and Turkey.

Im Frequenzbereich 5150 – 5250 MHz darf dieses Gerät in allen EU/EFTA-Mitgliedsstaaten und der Türkei nur innerhalb von Gebäuden verwendet werden.

Este dispositivo está limitado a su uso en interiores cuando está funcionando en el rango de frecuencia 5150-5250 MHz en todos los estados miembros de la UE/AELC y Turquía.


Cet appareil est réservé à un usage en intérieur dans une page de fréquence de 5 150 à 5 250 MHz dans tous les pays membres de l'Union Européenne et de l'Association européenne de libre-échange, ainsi qu'en Turquie.

Il presente dispositivo è limitato all'uso in ambienti interni se utilizzato nell'intervallo di frequenze di funzionamento 5150-5250 MHz in tutti gli stati dell'UE/AELS e in Turchia.

Dit apparaat mag in landen van de EU/EFTA en Turkije alleen in binnaruimtes worden gebruikt wanneer het frequentiebereik 5150-5250 MHz is ingesteld.

Este dispositivo está restrito para uso em áreas internas ao operar na faixa de frequência de 5150-5250MHz em todos os estados-membros da UE/EFTA e Turquia.

Использование данного устройства в частотном диапазоне 5150-5250 МГц разрешается только впомещениях во всех странах, входящих в ЕС/ЕАСТ, а также в Турции.

					
BE	BG	CZ	DK	DE	EE
IE	EL	ES	FR	HR	IT
CY	LV	LT	LU	HU	MT
NL	AT	PL	PT	RO	SI
SK	FI	SE	UK	TR	NO
CH	IS	LI			

Thailand Warning message

เมื่อใช้ขงอุปกรณ์ในอาคารเท่านั้น มิควรใช้ขงอุปกรณ์นอกรอาคาร

Mexico Warning message

"La operación de este equipo está sujeta a las siguientes dos condiciones: (1) es posible que este equipo o dispositivo no cause interferencia perjudicial y (2) este equipo o dispositivo debe aceptar cualquier interferencia, incluyendo la que pueda causar su operación no deseada."



The terms HDMI, HDMI High Definition Multimedia Interface, and the HDMI Logo are trademarks or registered trademarks of HDMI Licensing Administrator, Inc.

DJI Support

DJI サポート

ฝ่ายสนับสนุนของ DJI

Bộ phận hỗ trợ của DJI

DJI Support

Asistencia técnica de DJI

Service client DJI

Suporte DJI

<http://www.dji.com/support>

Scarica i manuali in altre lingue da
Handleidingen in andere talen kunnen gedownload worden op
Transfira documentos dos manuais noutros idiomas a partir de
Ссылка для загрузки файлов руководств на других языках:

<https://www.dji.com/t30/downloads>

If you have any questions about this document, contact DJI by
sending a message to **DocSupport@dji.com**.

Printed in China.



T30DMNMZDY02